

## Small Comparator Stands 820

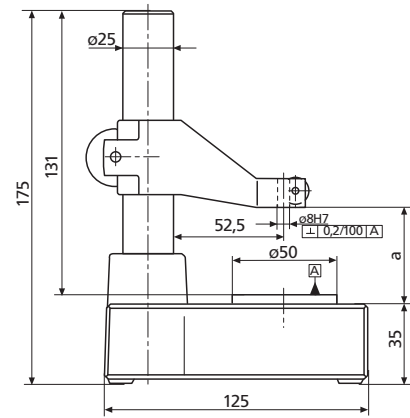
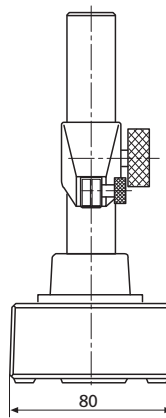
### 820 N



Indicating instruments are sold separately

### Features

- Sturdy design
- Plate is made from either hardened steel or black granite or ceramic
- Rugged ground post made of stainless steel
- Fine adjustment, consisting of a strong, rigid parallel spring assembly (Small Comparator Stands 820 FG and 820 FC)
- Adjustable support arm for a indicating instrument



820 N

### Technical Data

	Working range a		Flatness tolerance (DIN 876)	Fine adjustment range	Weight	Order no.* Mount dia. 8H7	Order no.* Mount dia. 3/8 inch	Remarks
	mm	(inch)	mm		kg			
<b>820 N</b>	0 - 110	(0 - 4.3")	00		2.6	<b>4430000</b>	<b>4430018</b>	
<b>820 NG</b>	0 - 130	(0 - 5.1")	0		3.2	<b>4430100</b>	<b>4430110</b>	
<b>820 FG</b>	0 - 130	(0 - 5.1")	0	± 0.2	3.2	<b>4431100</b>	<b>4431110</b>	fine adjustment
<b>820 NC</b>	0 - 110	(0 - 4.3")	00		4.0	<b>4432100</b>	<b>4432120</b>	
<b>820 FC</b>	0 - 110	(0 - 4.3")	00	± 0.2	4.0	<b>4433100</b>	<b>4433110</b>	fine adjustment

\* excludes indicating instrument

## Small Comparator Stands 820

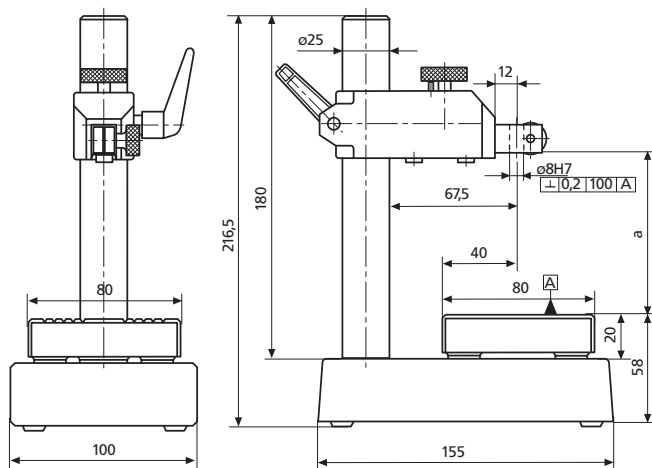
820 FC



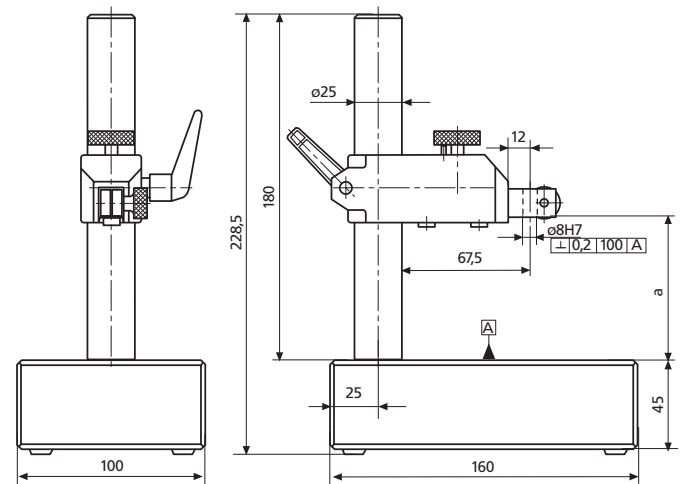
820 FG



820 FC



820 FG



### Accessories

V-Block 108° for checking small, cylindrical work pieces for out of roundness and polygon errors (for further details please refer to Page 12-9)

107 V

(Single)  
(Pair)

Order no.

4229000  
4229001