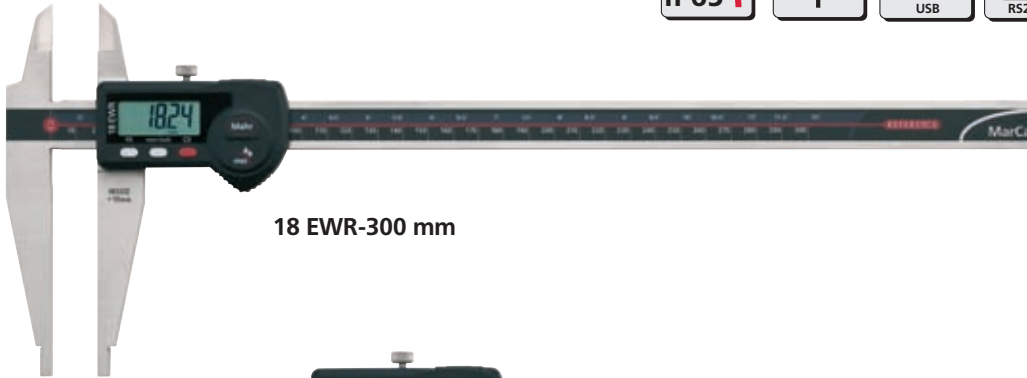
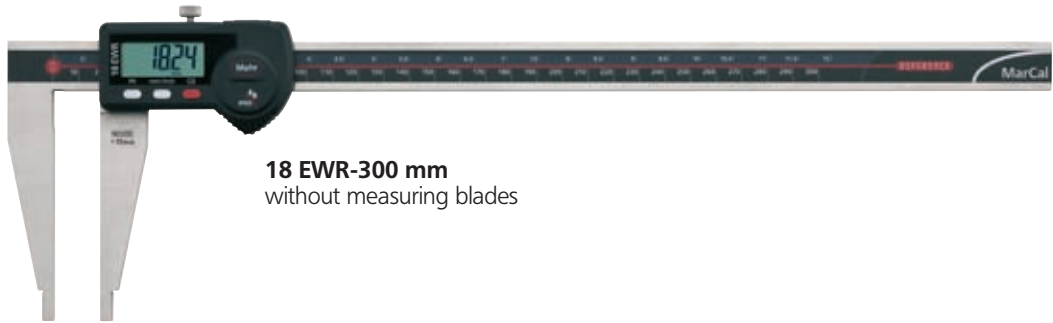
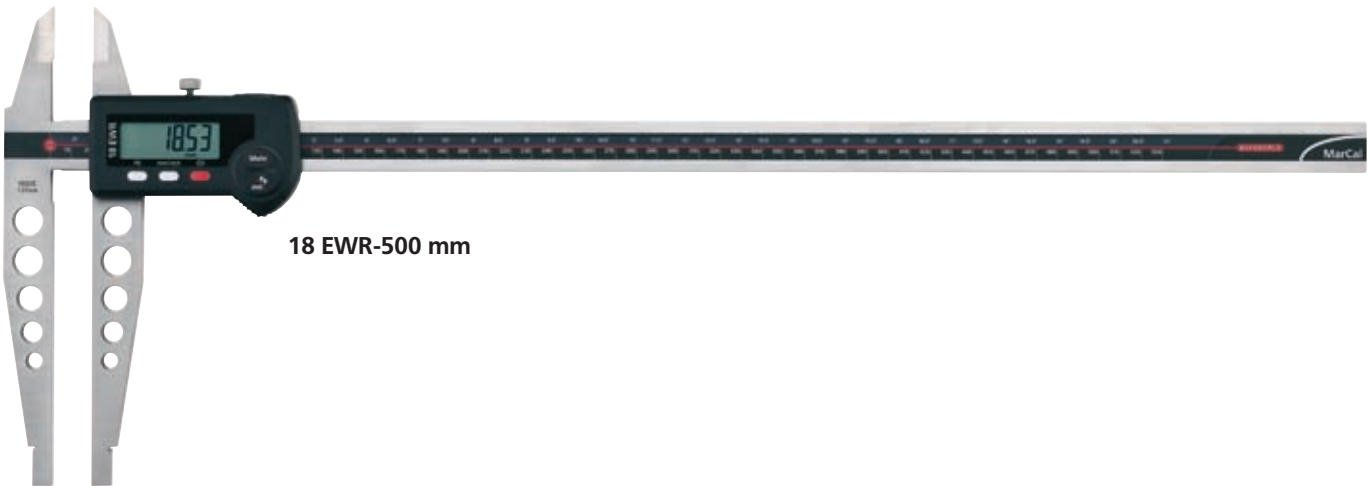


Digital Caliper MarCal 18 EWR

REFERENCE



18 EWR-300 mm

18 EWR-300 mm
without measuring blades

18 EWR-500 mm

Features

Functions:

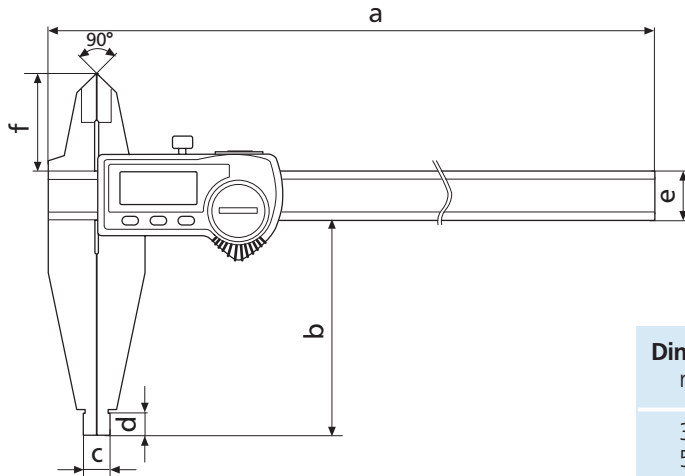
ON/OFF
 RESET (Set display to zero)
 mm/inch
 Reference-Lock/Unlock
 PRESET (for entering a numerical value)
 DATA (Data transmission via connection cable)
 Auto-ON/OFF

- Immediate measurement due to the Reference system
- Excellent resistance against dust, coolants and lubricants, protection class IP65
- MarConnect data output, choose alternatively: USB, OPTO RS232C or Digimatic

- Dirt wipers are integrated in the slide
- Life of the battery up to 3 years
- Max measuring speed 2.5 m/s (100"/s)
- High contrast LCD with 10 mm (only 300 mm) and 12.5 mm high digits

- Slide and beam made of hardened stainless steel
- Rounded measuring blades for inside measurement
- Locking screw
- Supplied with: Case, battery, operating instructions

Digital Caliper MarCal 18 EWR with measuring blades for outside measurement



Dimensions						
mm	a	b	c	d	e	f
300	410	90	10	10	20 x 4.5	40
500	650	150	20	20	25 x 5.5	55
750	905	150	20	20	25 x 5.5	55
1000	1165	150	20	20	30 x 6.5	60

Technical Data

Measuring range		Resolution	Error limit G	Weight	Order no. with measuring blades	Weight	Order no. without measuring blades
mm	(inch)	mm / inch	mm	kg		kg	
300	(12")	0.01 / .0005"	0.03	0.45	4112704	0.44	4112705
500	(20")	0.01 / .0005"	0.04	1.10	4112712	1.00	4112713
750	(30")	0.01 / .0005"	0.05	1.35	4112714	1.28	4112715
1000	(40")	0.01 / .0005"	0.06	2.20	4112716	2.10	4112717

Accessories

	Order no.
Battery 3V, Type CR 2032	4102520
Data Connection Cable USB (2 m)	16 EXu 4102357
Data Connection Cable Opto RS232C (2 m), with SUB-D jack 9-pin	16 EXr 4102410
Data Connection Cable Digimatic (2 m), Flat plug 10-pin	16 EXd 4102411

Accessories for Data Processing see Chapter 11

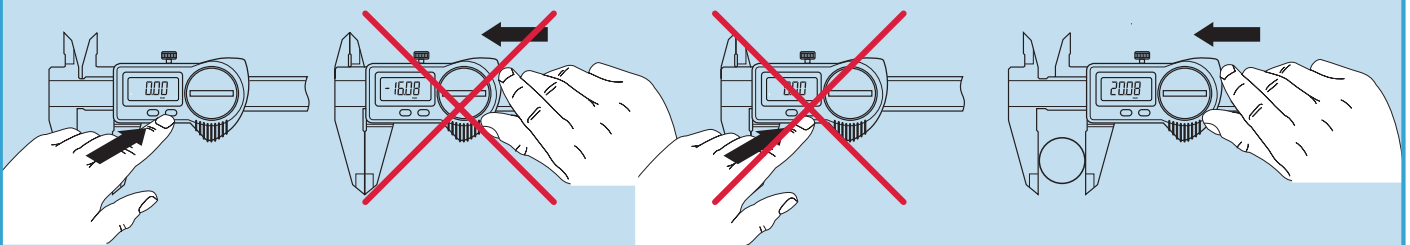
MarCal - The innovative Reference-System

Just set once to zero

All Mahr digital calipers with this logo **REFERENCE** are equipped with the innovative Reference-System. The zero position just has to be set once: after setting the zero position, the zero remains stored for all further measurements. Therefore, once the caliper is switched ON or the slide is moved the caliper is immediately ready for measurement. The need to reset to zero with a conventional caliper once the caliper is switched on has now become obsolete.

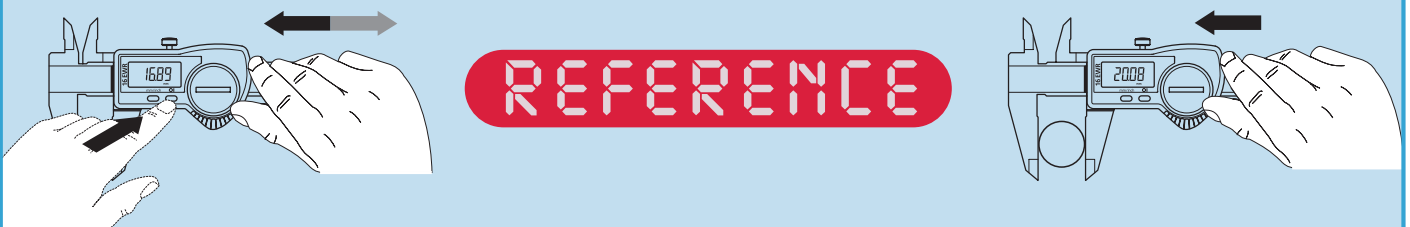
Conventional

- ① Switch ON ② Close the measuring jaws ③ Set to zero ④ Results of measurement



REFERENCE - System

- ① Switch ON ② Results of measurement



Press the ON key or move the slide

IP-Protection classes

First digit is the degree of protection according to IEC 60529		Second digit is the degree of protection according to IEC 60529 (approximate)	
Protection against particles, contaminants and dust		Protection against wet conditions (fluids)	
0	Not protected	0	Not protected
1	Particles > 50.0 mm	1	Falling water drops - vertical
2	Particles > 12.5 mm	2	Falling water drops - tilted < 15°
3	Particles > 2.5 mm	3	Spray water < 60°
4	Particles > 1.0 mm	4	Water splashing from all directions
5	Dust protected	5	Water jets from all directions
6	Dust tight	6	Powerful water jets
		7	Temporary immersion in water
		8	Continuous immersion in water



Example:
IP67 means that the product is "Dust tight" and is protected against "Temporary immersion in water".