

Digimatic Micrometer Heads

SERIES 164

FEATURES

- The Digimatic Micrometer Heads...
- The display can be rotated up to 330° for easy reading in any position.

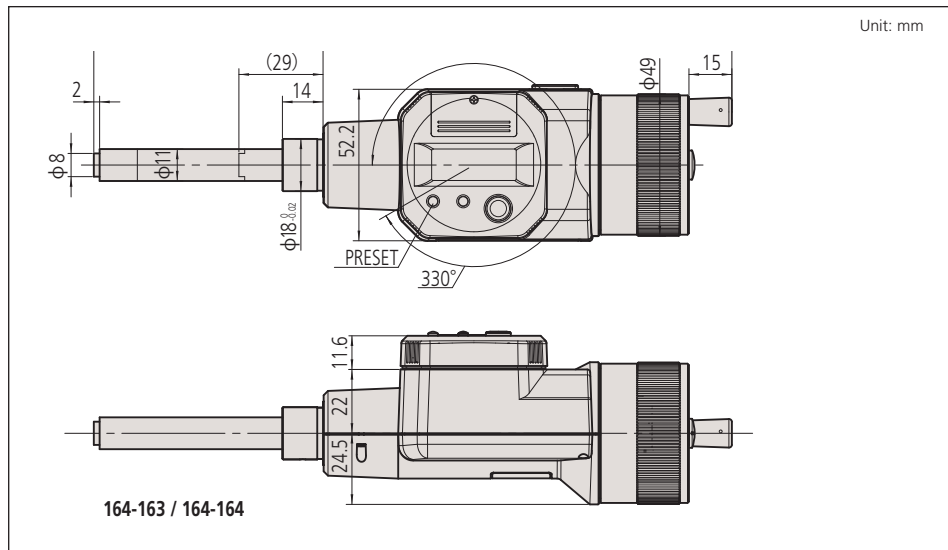


164-164

SPECIFICATIONS

Inch/Metric			
Range	Order No.	Accuracy	Mass (g)
0 - 2" / 0 - 50.8mm	164-164	±.00015"	490

DIMENSIONS



Willrich Precision
Ph 866-945-5742
email: sales@willrich.com



Technical Data

Accuracy: Refer to the list of specifications.

Resolution: 0.001mm or .00005"/0.001mm
Display: LCD
Battery: SR44 (2 pcs.), 938882
Battery life: 1.8 years:

Function

Zero-setting, Data hold, Data output, Preset,
inch/mm conversion (on inch/metric models only)
Alarm: Low voltage, Counting value composition error

Optional Accessories

959149: SPC cable (1m / 40")
959150: SPC cable (2m / 80")