

# Dial Gage Stands

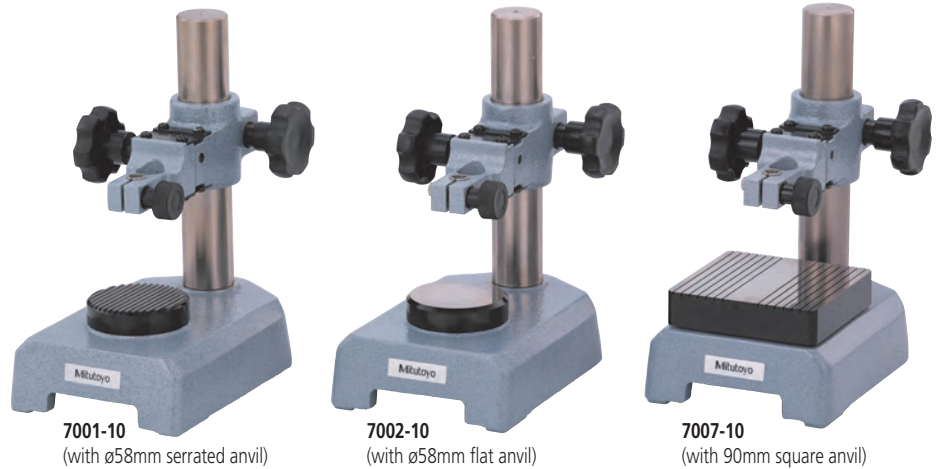
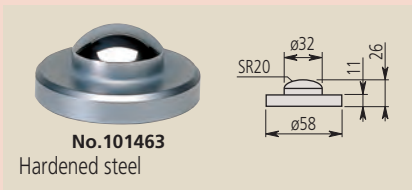
## SERIES 7

### FEATURES

- Dial Gage Stands are designed for comparison measurements of size using a dial indicator or Digimatic Indicator.
- Anvil of 7001-10 and 7002-10:  $\phi 58\text{mm}$   
Anvil of 7007-10: 90mm square
- Vertical fine adjustment is available with one-touch control thanks to the parallel spring suspension.

### Optional Accessories

- 101461:** Hardened steel flat anvil
  - 101462:** Hardened steel serrated anvil
  - 101463:** Hardened steel domed anvil\*
- \*Not available for 7007-10.



### SPECIFICATIONS

Metric			
Order No.	Stem hole	Remarks	Mass(g)
7001-10	$\phi 8\text{mm}$ , $\phi 9.53\text{mm}$	With serrated anvil (101462)	4
7002-10	$\phi 8\text{mm}$ , $\phi 9.53\text{mm}$	With flat anvil (101461)	4
7007-10	$\phi 8\text{mm}$ , $\phi 9.53\text{mm}$	With square anvil	5

### DIMENSIONS

