

# Digimatic Carbon Fiber Caliper

**SERIES 552 — with optional jaw attachments**



## FEATURES

- Lightweight Digimatic Calipers that employ CFRP (Carbon Fiber Reinforced Plastics) in the beam and jaws.
- Highly durable and easy to handle.
- The range of applications can be expanded by using the optional attachments.
- Direct readout of ID measurements from the LCD. (Offset value can be set easily by pressing the Offset key.)
- Preset function for setting a desired starting point.
- With SPC data output.
- Special model available with ceramic jaws which are suitable for measuring abrasive and magnetic products.
- Supplied in fitted wooden case.

## Technical Data

Accuracy: Refer to the list of specifications.  
 Resolution: .0005"/0.01mm or 0.01mm  
 Display: LCD  
 Length standard: Electrostatic capacitance type linear encoder  
 Max. response speed: 1600mm/s  
 Battery: SR44 (1 pc.), 938882  
 Battery life: Approx. 3,000 hours in continuous use



## SPECIFICATIONS

### Metric

Range*	Order No.	Accuracy	Resolution	Remarks
0(20)-450mm	552-302-10	+/-0.04mm	0.01mm	
0(20)-450mm	552-150-10	+/-0.06mm	0.01mm	long jaws 200mm
0(20)-450mm	552-155-10	+/-0.04mm	0.01mm	ceramic jaws
0(20)-600mm	552-303-10	+/-0.04mm	0.01mm	
0(20)-600mm	552-151-10	+/-0.06mm	0.01mm	long jaws 200mm
0(20)-600mm	552-156-10	+/-0.04mm	0.01mm	ceramic jaws
0(20)-1000mm	552-304-10	+/-0.05mm	0.01mm	
0(20)-1000mm	552-152-10	+/-0.07mm	0.01mm	long jaws 200mm
0(20)-1500mm	552-305-10	+/-0.09mm	0.01mm	
0(20)-1500mm	552-153-10	+/-0.11mm	0.01mm	long jaws 200mm
0(20)-2000mm	552-306-10	+/-0.12mm	0.01mm	
0(20)-2000mm	552-154-10	+/-0.14mm	0.01mm	long jaws 200mm

\*( ): Minimum dimension in ID measurement

### Inch/Metric

Range*	Order No.	Accuracy	Resolution	Remarks
0(.5")-18"	552-312-10	+/- .002"	.0005"/0.01mm	
0(.5")-18"	552-160-10	+/- .0025"	.0005"/0.01mm	long jaws 7.9"
0(.5")-18"	552-165-10	+/- .002"	.0005"/0.01mm	ceramic jaws
0(.5")-24"	552-313-10	+/- .002"	.0005"/0.01mm	
0(.5")-24"	552-161-10	+/- .0025"	.0005"/0.01mm	long jaws 7.9"
0(.5")-24"	552-166-10	+/- .002"	.0005"/0.01mm	ceramic jaws
0(1")-40"	552-314-10	+/- .002"	.0005"/0.01mm	
0(1")-40"	552-162-10	+/- .003"	.0005"/0.01mm	long jaws 7.9"
0(1")-60"	552-315-10	+/- .004"	.0005"/0.01mm	
0(1")-60"	552-163-10	+/- .0045"	.0005"/0.01mm	long jaws 7.9"
0(1")-80"	552-316-10	+/- .005"	.0005"/0.01mm	
0(1")-80"	552-164-10	+/- .0055"	.0005"/0.01mm	long jaws 7.9"

\*( ): Minimum dimension in ID measurement

## Function

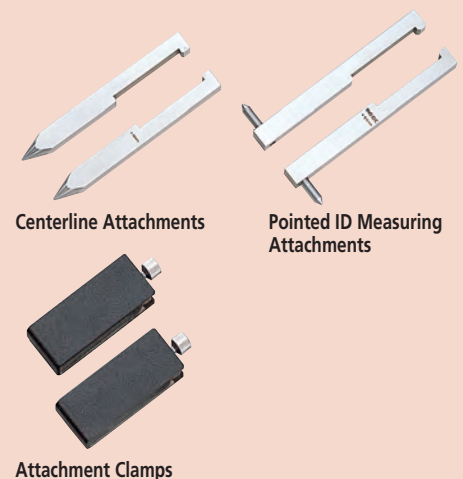
Origin-set, Zero-setting, Presetting, Offsetting, Data hold, Data output, inch/mm conversion (on inch/metric models only)  
 Alarm: Low voltage, Counting value composition error

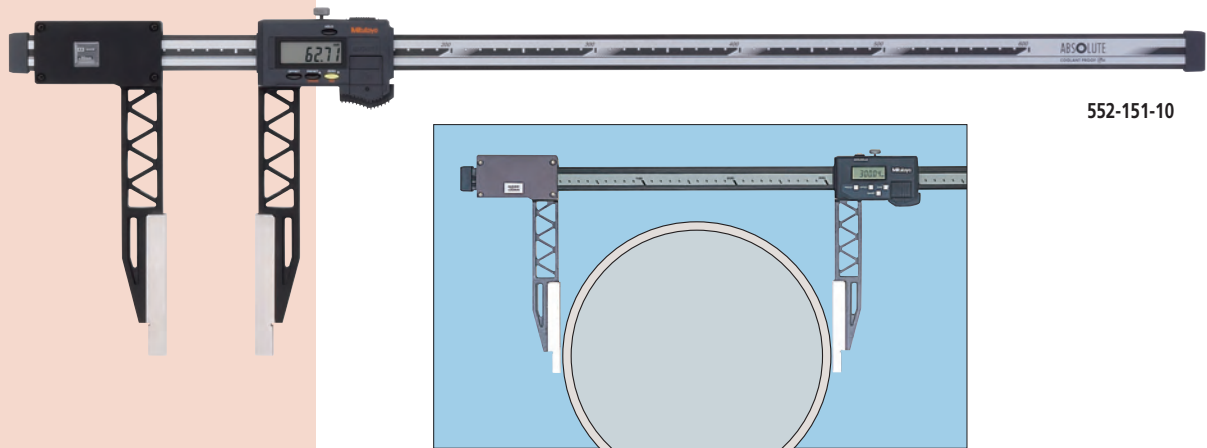
## Optional Accessories

- 05CZA624: SPC cable with data switch (40"/ 1m)
- 05CZA625: SPC cable with data switch (80"/ 2m)

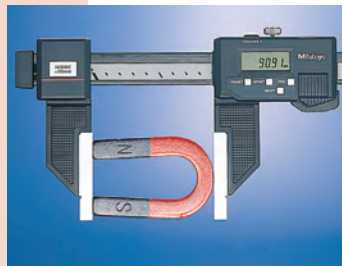
- 914055: Centerline attachments (mm)\*
- 914056: Centerline attachments (inch)\*
- 914057: Pointed ID measuring attachments (mm)\*
- 914058: Pointed ID measuring attachments (inch)\*
- 914053: Attachment clamps (for models up to 24" / 600mm range)
- 914054: Attachment clamps (for models over 24" / 600mm range)

\* Attachment clamps are required and not available for long jaw type.

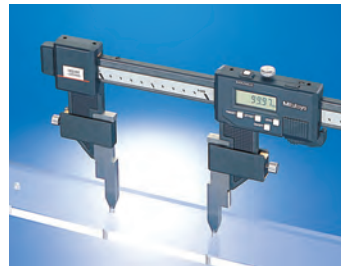




552-151-10



Ceramic jaws



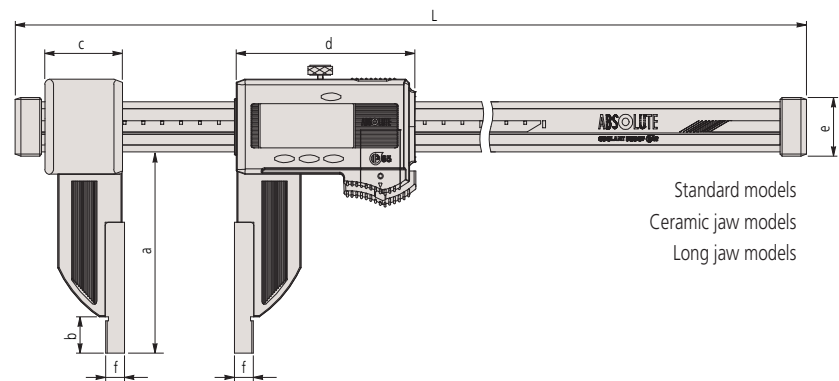
Centerline attachments



ID point attachments

## DIMENSIONS AND MASS

Unit: mm



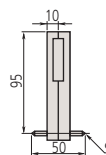
Standard models  
Ceramic jaw models  
Long jaw models

Standard models, Ceramic jaw models

Range	L	a	b	c	d	e	f	Mass (g)
0 - 18" / 0 - 450mm	640	100	18	41.2	91.8	25	10 (.25")	715
0 - 24" / 0 - 600mm	790	100	18	41.2	91.8	25	10 (.25")	790
0 - 40" / 0 - 1000mm	1230	150	24	62.8	113.8	32	10 (.5")	1,760
0 - 60" / 0 - 1500mm	1740	150	24	62.8	113.8	32	10 (.5")	2,160
0 - 80" / 0 - 2000mm	2250	150	24	62.8	113.8	32	10 (.5")	2,560

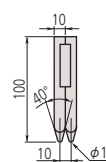
( ) : inch/mm models

Pointed ID Measuring Attachments



Unit: mm

Centerline Attachments



Long jaw models

Range	L	a	b	c	d	e	f	Mass (g)
0 - 18" / 0 - 450mm	680	200	24	89	91.8	25	10 (.25")	1,215
0 - 24" / 0 - 600mm	830	200	24	89	91.8	25	10 (.25")	1,290
0 - 40" / 0 - 1000mm	1280	200	24	110	113.8	32	10 (.5")	2,090
0 - 60" / 0 - 1500mm	1790	200	24	110	113.8	32	10 (.5")	2,490
0 - 80" / 0 - 2000mm	2300	200	24	110	113.8	32	10 (.5")	2,890

( ) : inch/mm models