



762 Series Electronic Micrometer Heads with rotating or non-rotating spindles (with output)

0-2" / 0-50mm

Readability Features

- Large digital readout is easy to read, reducing errors
- Conventional inch or millimeter graduations standard
- Attractive black wrinkle finish on frame
- Starrett no-glare satin chrome finish on thimble and sleeve

Ease-of-Handling Features

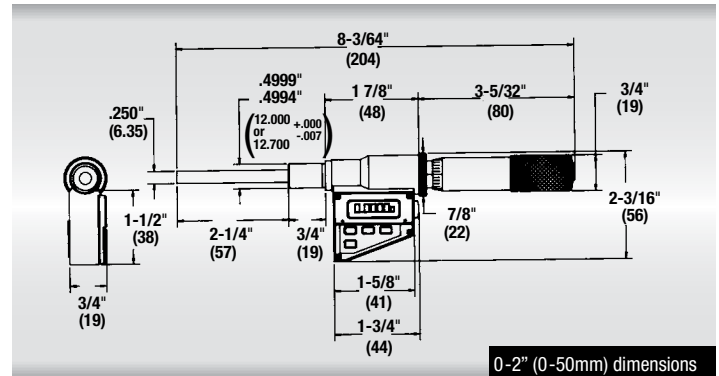
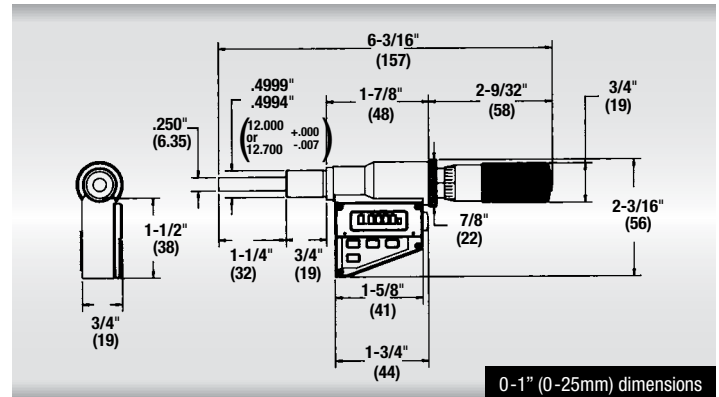
- Ring-type knurled lock nut
- Smooth friction thimble for uniform pressure on regular heads and combination ratchet and speeder on non-rotating heads

Accuracy and Long-Life Features

- Extremely hard and stable one-piece spindle (the heart of our accuracy)
- Micro-lapped carbide face
- One 3-volt battery furnished for over a year of normal usage
- Auto OFF after 30 minutes of nonuse

Full-Function Action Features

- Inch/millimeter conversion
- "ME" millimeter models turn on in millimeter mode after battery installation
- Measurement HOLD button
- Ability to zero tool at any position
- Ability to retain and return to the true zero reading of the micrometer
- PRESET button to install any reading at any position
- RS232 data output port
- Works well with Starrett Datasure® Wireless Data Collection Systems



762 Micrometer Specifications		
	Inch	Millimeter
Resolution	.00005"	0.001mm
Accuracy	±.0001" per Inch	±0.003mm per 25mm

762 Electronic Micrometer Heads with Standard Inch Graduations on Shell and Thimble

Range	Description*	Catalog No.	EDP
0-1"/0-25mm	Friction Thimble, Lock Nut, Carbide Face	762XFL	65058
	Ratchet Stop, Lock Nut, Carbide Face, Non-rotating Spindle	762NXRL	65060
0-2"/0-50mm	Friction Thimble, Lock Nut, Carbide Face	762XFL-2	65062

762M Electronic Micrometer Heads with Standard Millimeter Graduations on Shell and Thimble

0-25mm/0-1"	Friction Thimble, Lock Nut, Carbide Face	762MEXFL-25	66077
0-50mm/0-2"	Friction Thimble, Lock Nut, Carbide Face	762MEXFL-50	66137

Cable Information for 762 & 762M Electronic Micrometer Heads

Computer Interface Cable Complete to PC (RS232C)	PT61963	66636
Adaptor from PT22938 Cable to PC (RS232C)	PT61768	66454
Shielded Cable to 761/772 Series Starrett Modules and PT61768 Adaptor	PT22938	64059
One 3-Volt Battery CR2450	PT61120	65446

*1/2" (12.7mm) clamping diameter sent unless otherwise specified.