

## 5000, 5001 & 5002 Series Carbon Fiber Calipers

0-40"

- Carbon fiber construction significantly reduces weight, improving maneuverability
- Titanium coated stainless steel outside measurement jaws for long life and superior flatness
- Coolant resistant
- Two preset modes, REF I and REF II, allow setting one mode to a setting master and a second to a zero setting
- Full-featured, sophisticated electronics with RS232 output
- Ideal for use with Starrett DataSure® Wireless Data Collection Systems using a 1500-3A-1N end node
- Will also transmit to PC through cable PT62606

### Features & Specifications

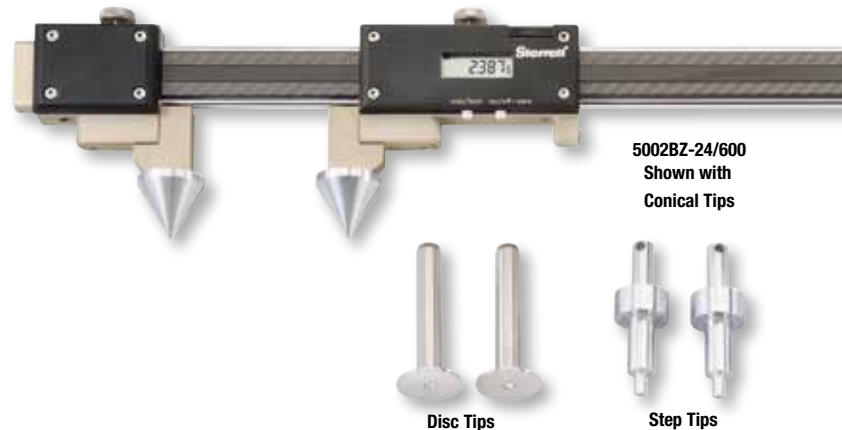
- When RS232 cable is installed, mm/inch button functions as a send button
- Single CR2032 lithium battery provides over a year of normal use
- Clamping screw
- Protective wooden case
- Resolution: 0.0005"/0.01mm

### 5000 & 5002 Only

- mm/inch mode button
- ON/OFF button
- Hold feature will freeze the display when in REF I or REF II mode

### 5001 Only

- Mode & Set buttons
- Min/Max mode displays values referenced from the present value of the REF mode the tool is in when entering MIN/MAX
- Tolerance mode to set upper and lower measurement tolerances
- Larger displays with more information



### 5000 Carbon Fiber Calipers

Cat. No.	EDP	Outside	Weight	Jaw Depth	Measuring Capacities	
					Inside (w/Jaws)	Inside (w/Top Pins)
B5000BZ-20/500	14571	0-20" (0-500mm)	2.43lb (1.10kg)		0.394-20" (10-500mm)	0.787-20" (20-500mm)
B5000BZ-24-600	14572	0-24" (0-600mm)	2.56lb (1.16kg)	4.92" (125mm)	0.394-24" (10-600mm)	0.787-24" (20-600mm)
B5000BZ-40/1000	14573	0-40" (0-1000mm)	3.09lb (1.40kg)		0.394-40" (10-1000mm)	0.787-40" (20-1000mm)

### 5001 Carbon Fiber Calipers

Cat. No.	EDP	Outside	Weight	Jaw Depth
C5001BZ-40/1000	14574	0-40" (0-1000mm)	5.51lb (2.50kg)	5.906" (150mm)
D5001BZ-60/1500	14575	0-60" (0-1500mm)	7.26lb (3.30kg)	7.875" (200mm)

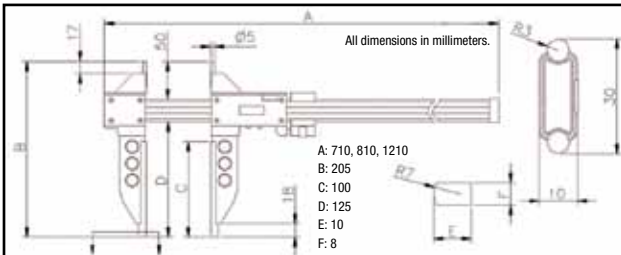
### 5002 Carbon Fiber Calipers

Cat. No.	EDP	Outside	Weight
5002BZ-16/400	14576	0-16" (0-400mm)	1.65lb (0.75kg)
5002BZ-24/600	14577	0-24" (0-600mm)	1.98lb (0.90kg)
5002BZ-40/1000	14578	0-40" (0-1000mm)	3.31lb (1.50kg)

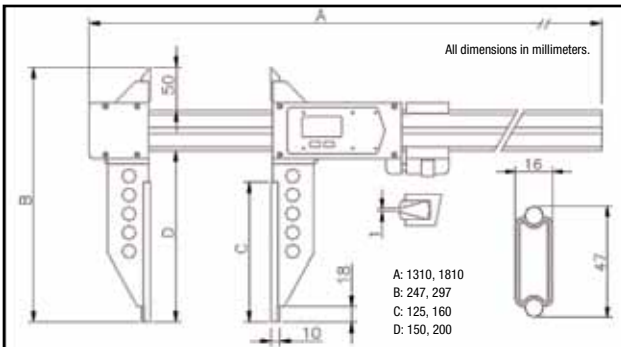
### Accessories for 5002 Carbon Fiber Calipers

Cat. No.	EDP	Description
PT06137	12829	Disc Contacts
PT06138	12830	Step Contacts
PT06139	12831	Cone Contacts

### 5000 Series Dimensions



### 5001 Series Dimensions



### 5002 Series Dimensions

