



268 Series V-Blocks and Clamp

1-1/8" / 28mm Capacity

- Cast iron construction
- 1-1/2" (38mm) square and 2" (50mm) long
- Clamp is ribbed for extra strength and will hold work up to 1-1/8" (28mm) in diameter

271 Series V-Blocks and Clamp

1-1/4" / 32mm Capacity

- Case hardened steel for wear resistance
- For use singly or in pairs
- Includes a steel rod that passes through each block, firmly held by friction positioning to keep blocks in alignment
- Two grooves on each side of the blocks will hold the clamp for small or large work
- Steel forged clamp holds work up to 1-1/4" (32mm) in diameter.

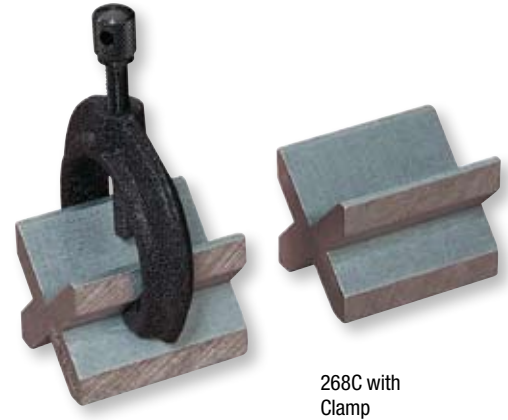
278 Series V-Blocks and Clamps

1" / 25mm Capacity

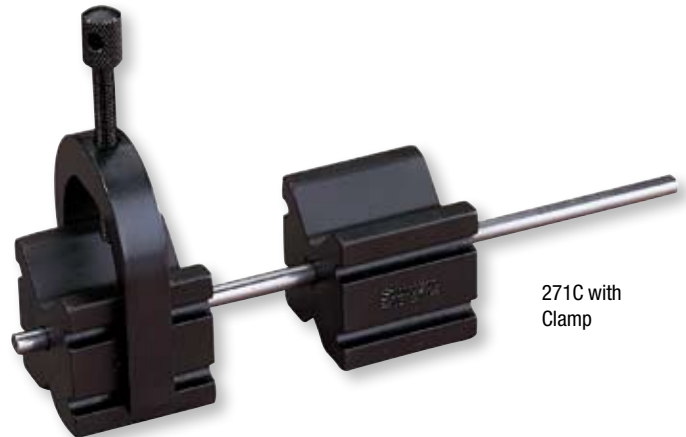
- Precision ground to extreme accuracy
- Vees are central, parallel, and square with the ends and sides
- Hardened and ground steel construction
- Numbered in series so the vees in each set are always in alignment
- 1/4-20 tapped hole through the sides for attachment to an angle iron that can then be attached to a lathe faceplate or held by a magnetic chuck
- Each block is 1-1/4" (32mm) square and 1-5/8" (40mm) long

Precision V-Blocks and Clamps

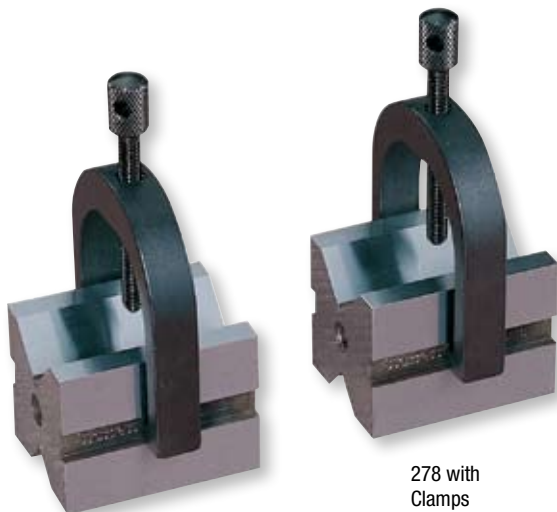
Starrett V-Blocks come in a variety of styles to suit the numerous requirements of machinists. They are for general shop use and layout work, as well as for holding stock in place during light-duty milling, drilling, and grinding operations. All clamp screws have a hole to help secure the workpiece.



268C with Clamp



271C with Clamp



278 with Clamps

268 V-Blocks and Clamp				
Capacity		Description	Catalog No.	EDP
Inch	mm			
1-1/8"	28mm	2 V-Blocks (One Pair)	268A	51287
		Complete Set with 2 V-Blocks (One Pair) and Clamp	268C	51289
		Clamp Only	268B	51288
271 V-Blocks and Clamp				
1-1/4"	32mm	2 V-Blocks (One Pair)	271A	51293
		Complete Set with 2 V-Blocks (One Pair) and Clamp	271C	51295
		Clamp Only	271B	51294
278 V-Blocks and Clamps				
1"	25mm	Complete Set With Two V-Blocks (One Pair) and Two Clamps	278	51312
		Clamp Only	278B	51313