



**HEXAGON**  
MANUFACTURING INTELLIGENCE



**TESA**  
TECHNOLOGY

**brown & sharpe**

**BEST DEALS**



TESA Brown & Sharpe quality measuring instruments at the best prices.

Valid until 08.31.2018  
Prices exclude VAT  
Version B&S - EN - USD



## TESA-HITE 400/700

Robust and reliable. Ideally suited for multifunctional applications on the shop floor

- Integrated air-bearing for easy displacement across the granite plate.
- Electronics totally protected against liquid and dust particles (IP65).

| Order Number | EDP Number | Description   | Measuring Range (in) | Maximum Permissible Errors (in) | Repeatability Limit  | Reg. Price | Promo Price    |
|--------------|------------|---------------|----------------------|---------------------------------|--|------------|----------------|
| 00730043     | 24675      | TESA-HITE 400 | 0 - 16               | 0.0001<br>+0.000004L            | On flat: $2\sigma = < 0.0001$ ;<br>Into bore $2\sigma = < 0.00015$ | \$4,790    | <b>\$4,310</b> |
| 00730044     | 24676      | TESA-HITE 700 | 0 - 28               | 0.0001<br>+0.000004L            | On flat: $2\sigma = < 0.0001$ ;<br>Into bore $2\sigma = < 0.00015$ | \$5,490    | <b>\$4,940</b> |



## TESA-HITE PLUS M 400/700

2D motorized height gages that offer a wide range of functions at an unparalleled price/performance ratio

| Order Number | EDP Number | Description               | Measuring Range (in) | Maximum Permissible Errors (in) | Repeatability Limit  | Reg. Price | Promo Price    |
|--------------|------------|---------------------------|----------------------|---------------------------------|--|------------|----------------|
| 00730045     | 35359      | TESA-HITE M 400           | 0 - 16               | 0.0001<br>+0.000003L            | On flat: $2\sigma = < 0.00005$ ;<br>Into bore $2\sigma = < 0.0001$ | \$7,210    | <b>\$6,130</b> |
| 00730046     | 35360      | TESA-HITE M 700           | 0 - 28               | 0.0001<br>+0.000003L            | On flat: $2\sigma = < 0.00005$ ;<br>Into bore $2\sigma = < 0.0001$ | \$7,880    | <b>\$6,695</b> |
| 00730057     | 35362      | TESA-HITE M 400 + printer | 0 - 16               | 0.0001<br>+0.000003L            | On flat: $2\sigma = < 0.00005$ ;<br>Into bore $2\sigma = < 0.0001$ | \$7,695    | <b>\$6,530</b> |
| 00730058     | 35363      | TESA-HITE M 700 + printer | 0 - 28               | 0.0001<br>+0.000003L            | On flat: $2\sigma = < 0.00005$ ;<br>Into bore $2\sigma = < 0.0001$ | \$8,385    | <b>\$7,095</b> |



| Order Number | EDP Number | Description | Reg. Price | Promo Price  |
|--------------|------------|-------------|------------|--------------|
| 07.60175     | 28365      | Probe set   | \$826      | <b>\$661</b> |

### PROBE SET

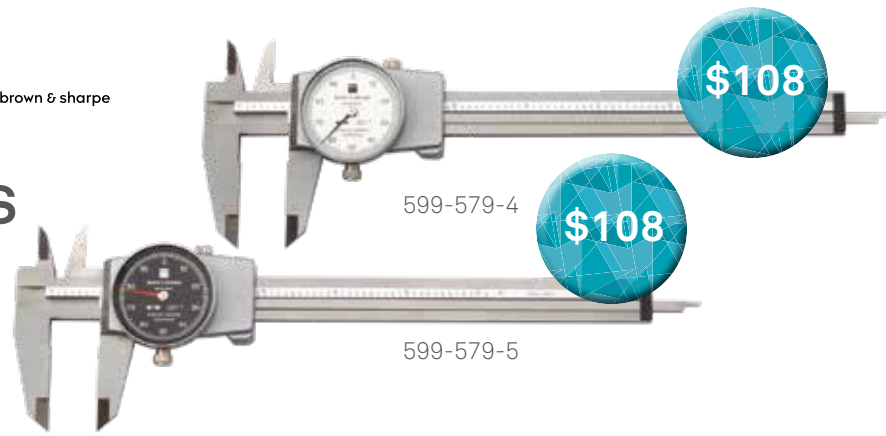
- 00760177 – Probe insert holder
- 07.60178 – Hardened steel rod for grooves, centering shoulders, blind bores etc, angled through 8°
- 00760179 – Tungsten carbide cylindrical rod for depth measurement
- 00760180 – Probe inserts with a 0.9mm dia. hardened steel ball tip
- 00760181 – Probe inserts with a 1.9mm dia. hardened steel ball tip
- 00760182 – Probe inserts with a 2.9mm dia. hardened steel ball tip
- 00760183 – Hardened steel probe insert with a cone-shaped measuring face, 8mm dia.
- 00760184 – 20mm extension with an M3 thread for inserts with M3 thread
- 00760185 – 20mm extension with an M3 thread for inserts with M2.5 thread





## DIAL-CAL DIAL CALIPERS

Featuring a covered stainless steel rack and patented shockproof design



| Order Number | EDP Number | Measuring Range (in) | Resolution/Accuracy (in) | Thumb Roller | Dial Face Color | Range Per Rev. (in) | Reg. Price | Promo Price  |
|--------------|------------|----------------------|--------------------------|--------------|-----------------|---------------------|------------|--------------|
| 599-579-4    | 51774      | 0-6                  | 0.0005/0.001             | Without      | Silver          | 0.1                 | \$135      | <b>\$108</b> |
| 599-579-5    | 51879      | 0-6                  | 0.0005/0.001             | Without      | Black           | 0.1                 | \$135      | <b>\$108</b> |

## BROWN & SHARPE TWIN-CAL IP67

- Highest IP67 protection against liquids and dust, even with output cable connected
- Large display and “Soft touch” features for comfortable measurement
- Bidirectional communication via cable or wireless mode



| Order Number | EDP Number | Description                  | Measuring Range (in) | Resolution/Accuracy (in) | Thumb Roller | Depth Rod | Reg. Price | Promo Price  |
|--------------|------------|------------------------------|----------------------|--------------------------|--------------|-----------|------------|--------------|
| 00590302     | 47236      | Brown & Sharpe TWIN-CAL IP67 | 0 - 6                | 0.0005/0.001             | Yes          | Round     | \$199      | <b>\$159</b> |
| 00590303     | 47237      | Brown & Sharpe TWIN-CAL IP67 | 0 - 6                | 0.0005/0.001             | Yes          | Square    | \$199      | <b>\$159</b> |

## BROWN & SHARPE TWIN-CAL

- Same measuring system as the IP67 version
- Great reading comfort
- Bidirectional communication at the best price



| Order Number | EDP Number | Description             | Measuring Range (in) | Resolution/Accuracy (in) | Thumb Roller | Depth Rod | Reg. Price | Promo Price  |
|--------------|------------|-------------------------|----------------------|--------------------------|--------------|-----------|------------|--------------|
| 00590092     | 47473      | Brown & Sharpe TWIN-CAL | 0 - 6                | 0.0005/0.001             | Yes          | Round     | \$143      | <b>\$114</b> |
| 00590093     | 47474      | Brown & Sharpe TWIN-CAL | 0 - 6                | 0.0005/0.001             | Yes          | Square    | \$143      | <b>\$114</b> |

## CONNECTIVITY CABLES

| Order Number | EDP Number | Description              | Reg. Price | Promo Price  |
|--------------|------------|--------------------------|------------|--------------|
| 04760181     | 47428      | TESA TLC-USB cable       | \$167      | <b>\$109</b> |
| 04760182     | 47429      | TESA TLC DIGIMATIC cable | \$241      | <b>\$183</b> |



## INTRIMIK INTERNAL MICROMETERS - INDIVIDUAL UNITS

The only internal micrometer that respects the Abbe's principle of alignment.

Three contact points spaced 120° apart, ensuring proper centering and alignment - even in deep holes.



| Order Number | EDP Number | Measuring Range (in) | Analog Scale Interval (in) | Maximum Permissible Errors (in) | Repeatability Limit (in) | Reg. Price | Promo Price  |
|--------------|------------|----------------------|----------------------------|---------------------------------|--------------------------|------------|--------------|
| 599-281-3    | 43972      | .275-.350            | 0.0001                     | 0.00016                         | 0.00016                  | \$579      | <b>\$492</b> |
| 599-281-4    | 43974      | .350-.425            | 0.0001                     | 0.00016                         | 0.00016                  | \$581      | <b>\$494</b> |
| 599-281-5    | 43976      | .425-.500            | 0.0001                     | 0.00016                         | 0.00016                  | \$587      | <b>\$499</b> |
| 599-281-6    | 43978      | .500-.600            | 0.0002                     | 0.00016                         | 0.00016                  | \$595      | <b>\$506</b> |
| 599-281-7    | 43980      | .600-.700            | 0.0002                     | 0.00016                         | 0.00016                  | \$599      | <b>\$509</b> |
| 599-281-8    | 43982      | .700-.800            | 0.0002                     | 0.00016                         | 0.00016                  | \$613      | <b>\$521</b> |
| 599-281-10   | 43984      | .800-1.0             | 0.0002                     | 0.00016                         | 0.00016                  | \$656      | <b>\$558</b> |
| 599-281-12   | 43986      | 1.0-1.2              | 0.0002                     | 0.00016                         | 0.00016                  | \$664      | <b>\$564</b> |
| 599-281-14   | 43988      | 1.2-1.4              | 0.0002                     | 0.00016                         | 0.00016                  | \$672      | <b>\$571</b> |
| 599-281-16   | 43990      | 1.4-1.6              | 0.0002                     | 0.00016                         | 0.00016                  | \$683      | <b>\$581</b> |
| 599-281-20   | 43992      | 1.6-2.0              | 0.0002                     | 0.00016                         | 0.00016                  | \$776      | <b>\$660</b> |
| 599-281-24   | 43994      | 2.0-2.4              | 0.0002                     | 0.00020                         | 0.00020                  | \$787      | <b>\$669</b> |
| 599-281-28   | 43996      | 2.4-2.8              | 0.0002                     | 0.00020                         | 0.00020                  | \$802      | <b>\$682</b> |
| 599-281-32   | 43998      | 2.8-3.2              | 0.0002                     | 0.00020                         | 0.00020                  | \$823      | <b>\$700</b> |
| 599-281-36   | 44000      | 3.2-3.6              | 0.0002                     | 0.00020                         | 0.00020                  | \$838      | <b>\$712</b> |
| 599-281-40   | 44002      | 3.6-4.0              | 0.0002                     | 0.00020                         | 0.00020                  | \$851      | <b>\$723</b> |



## THE ABBE'S PRINCIPLE

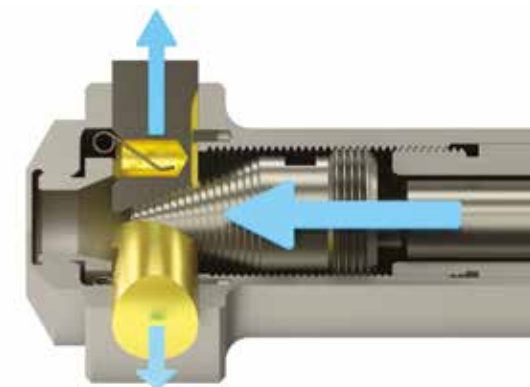
Each TESA INTRIMIK internal micrometer conforms precisely to Abbe's principle.

Ernest Abbe formulated the following principle:

“The length to be measured on the workpiece and that of the material measure to be used for comparison must be lying on a same axis.”

Respecting the Abbe's principle allows us to:

- avoid errors of the first instance to occur
- guarantee that the entire measuring force of the instrument is transmitted to the measuring bolts



## TESA CLINOBEVEL 1 USB

Compact electronic inclinometer for direct and differential measurements. Angles or inclinations can be displayed in different units and resolutions.

CLINOBEVEL 1 USB can be used on all four measuring faces



\$1,825

05330203



| Order Number | EDP Number | Description      | Measuring Range | Resolution (mm/m) | Included                         | Reg. Price | Promo Price    |
|--------------|------------|------------------|-----------------|-------------------|----------------------------------|------------|----------------|
| 05330203     | 36119      | CLINOBEVEL 1 USB | ± 45°           | ≥0.02             | CLINOSOFT software and USB cable | \$2,027    | <b>\$1,825</b> |



\$1,555

53.31002



\$1,305

53.31204

## TESA PRECISION FRAME SPIRIT LEVELS

For checking and aligning flat or cylindrical surfaces in horizontal and vertical positions

| Order Number | EDP Number | Description  | Scale Interval (mm/m) | For Shafts Ø (mm) | Dimensions (mm) | Reg. Price | Promo Price    |
|--------------|------------|--|-----------------------|-------------------|-----------------|------------|----------------|
| 53.31201     | 86590      | Precision spirit level with frame                      | 0.05                  | 17 - 84           | 100 x 100 x 32  | \$1,366    | <b>\$1,160</b> |
| 53.31204     | 86589      | Precision spirit level with frame                      | 0.05                  | 17 - 94           | 150 x 150 x 35  | \$1,536    | <b>\$1,305</b> |
| 53.31002     | 86593      | Precision spirit level with frame and magnetic inserts | 0.05                  | 19 - 108          | 150 x 150 x 40  | \$1,830    | <b>\$1,555</b> |

## BROWN & SHARPE COMBINATION SQUARE SET



\$225

599-438-1204-1

| Order Number   | EDP Number | Description   | Reg. Price | Promo Price  |
|----------------|------------|---|------------|--------------|
| 599-438-1204-1 | 44193      | Combination square set with hardened square head, hardened center head, reversible protractor and satin-chrome finish blade | \$265      | <b>\$225</b> |

## BROWN & SHARPE TRY SQUARE SETS

Complete in a shop-hardened, protective molded case

- Squareness of the blade edge to the working face of stock is .0006"



\$93

599-540-2346

| Order Number | EDP Number | Blade (in) | Reg. Price | Promo Price |
|--------------|------------|------------|------------|-------------|
| 599-540-2346 | 27060      | 2, 3, 4, 6 | \$109      | <b>\$93</b> |

## BROWN & SHARPE NO. 750-4 PERMANENT MAGNET BLOCK

- Holds work in contact with the V faces
- Block is accurately ground and faces of V-groove are hardened
- Removable stop plate furnished for back end of block
- "V" takes round stock to 1-3/4" diameter
- Sides and bottom are parallel to V to .001" and V is central within .001"



\$1,345

599-750-4

| Order Number | EDP Number | Dimensions (in)             | Reg. Price | Promo Price    |
|--------------|------------|-----------------------------|------------|----------------|
| 599-750-4    | 44537      | 3-3/16 H x 5-1/4 L x 2-7/16 | \$1,493    | <b>\$1,345</b> |



# TESA UNIMASTER

## MEASURING FOR LARGE DIMENSIONS

- Portable instrument, particularly suitable when large parts cannot be transported in measuring laboratories, especially during maintenance on site
- 2 in 1 instrument for internal and external measurement
- The setting standard included in the carrying case allows to save the cost of bulky and expensive reference parts

| Order Number | EDP Number | Description  | Internal Dimensions (in) | External Dimensions (in) | Reg. Price | Promo Price     |
|--------------|------------|--------------|--------------------------|--------------------------|------------|-----------------|
| 11.20000     | 40245      | Complete Set | 10 – 59                  | 9 – 58                   | \$30,151   | <b>\$27,151</b> |



11.20000

**\$27,151**



Learn more about this unique solution for measuring large diameters. Access the online video through this QR code.



For questions and concerns, please contact TESA Customer Service:  
 tesaorders.us@hexagonmetrology.com / 401-886-2740 (toll free 1-800-283-3600)  
 Our Swiss team of experts can also assist you and can be reached at tesa.service@hexagon.com

**Willrich Precision**  
**Ph 866-945-5742**  
**sales@willrich.com**

We reserve the right to make changes to our products, especially due to technical improvements and further developments. All illustrations and technical data are therefore without guarantee. All prices shown are non-binding price recommendations.