

BEST DEALS

Willrich Precision - 866-945-5742 sales@willrich.com



**Innovative measuring instruments
High precision and user-friendly**

Valid until 08.31.2017
Prices exclude VAT
Version EN - USD



MICRO-HITE



NEW GENERATION

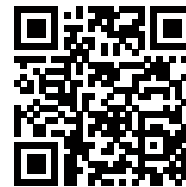
THE QUICK AND ACCURATE MEASUREMENT

Order number	Designation	List price (\$)
00730073	MICRO-HITE 350 manual	8500
00730074	MICRO-HITE 600 manual	9000
00730075	MICRO-HITE 900 manual	11100
00730076	MICRO-HITE 350F manual, fine adjustment	8900
00730077	MICRO-HITE 600F manual, fine adjustment	9500
00730078	MICRO-HITE 900F manual, fine adjustment	11500
00730079	MICRO-HITE+M 350 motorised	8900
00730080	MICRO-HITE+M 600 motorised	9500
00730081	MICRO-HITE+M 900 motorised	11500

additional discount
available thru willrich
precision
866-945-5742
sales@willrich.com

MORE INFORMATION?

Download the TESA MICRO-HITE brochure



<http://go.HexagonMI.com/MHbrochure>



\$4310

\$4940



TESA-HITE

Robust and reliable. Ideally suited for multifunctional applications on the shop floor



\$6238

\$5738



See our measurement tutorial videos



<http://go.HexagonMI.com/HGvideo>



TESA-HITE PLUS M

2D height gages that offer a wide range of functions and an unparalleled price/performance ratio

Order number	Designation	Application range (in)	Maximum permissible errors (in)	Repeatability limit (in)	Reg. price (\$)	Promo price (\$)
00730043	TESA-HITE 400	0 ÷ 16	.0001+.000004L	On flat: 2σ = < .00015 Into bore: 2σ = < .00020	4790	4310
00730044	TESA-HITE 700	0 ÷ 28	.0001+.000004L	On flat: 2σ = < .00015 Into bore: 2σ = < .00020	5490	4940
00730045	TESA-HITE plus M 400	0 ÷ 16	.0001+.000003L	On flat: 2σ = < .00005 Into bore: 2σ = < .0001	7650	5738
00730046	TESA-HITE plus M 700	0 ÷ 28	.0001+.000003L	On flat: 2σ = < .00005 Into bore: 2σ = < .0001	8490	6238

B&S DIAL CAL

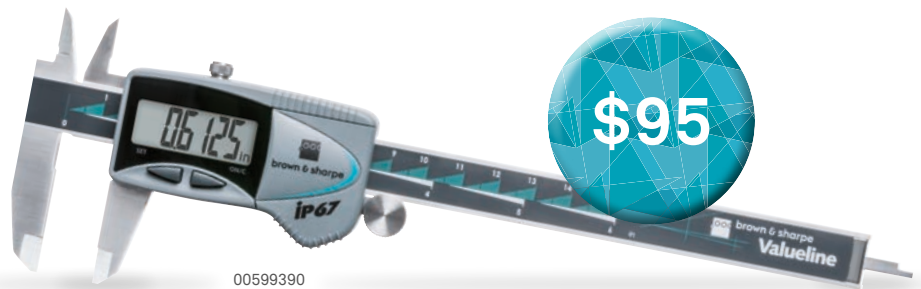


THE SHOCKPROOF CALIPERS

With the best-in-class patented system

Order number	EDP	Designation	Measuring range (in)	Analogical scale interval (in)	Face color	Reg. price (\$)	Promo price (\$)
599-579-4	51774	B&S DIAL-CAL Silver	0 ÷ 6	.001	Silver	166	119
599-579-5	51879	B&S DIAL-CAL Black	0 ÷ 6	.001	Black	166	119

B&S VALUELINE IP67



BEST PROTECTION AGAINST LIQUIDS AND PARTICLES

Ideal for the shop floor

Order number	EDP	Designation	Measuring range (in)	Thumb roller	Depth rod	Reg. price (\$)	Promo price (\$)
00599390	45601	B&S VALUELINE IP67	0 ÷ 6	✓	■	143	95
00599391	76599	B&S VALUELINE IP67	0 ÷ 6	✓	●	143	95



THINK BIG!

Buy «3» at the best price

Order number	Designation	Reg. price (\$)	Promo price (\$)
599-579-4P	TRIO-PACK DIAL-CAL Silver	427	299*
599-579-5P	TRIO-PACK DIAL-CAL Black	427	299*
00599390P	TRIO-PACK B&S VL IP67 SQ	355	255**
00599391P	TRIO-PACK B&S VL IP67 RD	355	255**

* Price equivalent to 99.66\$ per B&S DIAL-CAL

** Price equivalent to 85\$ per B&S Valueline IP67



TWIN-CAL

B&S TWIN-CAL SYSTEM

With integrated data connection and big display for clear reading

Order number	EDP	Designation	Measuring range (in)	Thumb roller	Depth rod	Reg. price (\$)	Promo price (\$)
00590302	47236	TWIN-CAL IP67	0 ÷ 6	✓	●	199	149
00590303	47237	TWIN-CAL IP67	0 ÷ 6	✓	■	199	149
00590304	47238	TWIN-CAL IP67	0 ÷ 8	✓	■	276	221
00590305	47239	TWIN-CAL IP67	0 ÷ 12	✓	■	379	298
00590092	47473	TWIN-CAL	0 ÷ 6	✓	●	143	95
00590093	47474	TWIN-CAL	0 ÷ 6	✓	■	143	95
00590094	47475	TWIN-CAL	0 ÷ 8	✓	■	196	139
00590095	47476	TWIN-CAL	0 ÷ 12	✓	■	276	199

NEW!
Data acquisition now possible with Q-DAS software



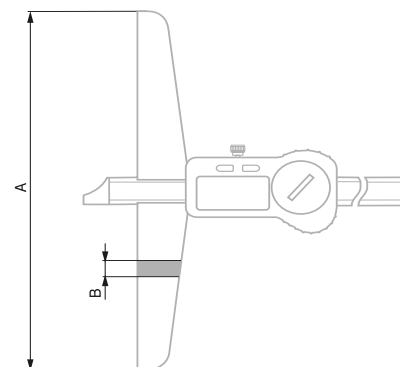
<http://go.HexagonMI.com/Q-DASsoftwareBrochure>

DEPTH CALIPER TWIN-CAL IP67

Accurate and resistant to particles and liquids even in depth measurements



Order number	EDP	Measuring range (in)	A (in)	B (in)	Reg. price (\$)	Promo price (\$)
00530441	24739	0 ÷ 8	4	.315	519	363
00530442	24740	0 ÷ 10	4	.315	545	382
00530443	24741	0 ÷ 12	6	.315	573	398
00530444	24742	0 ÷ 20	6	.315	689	482

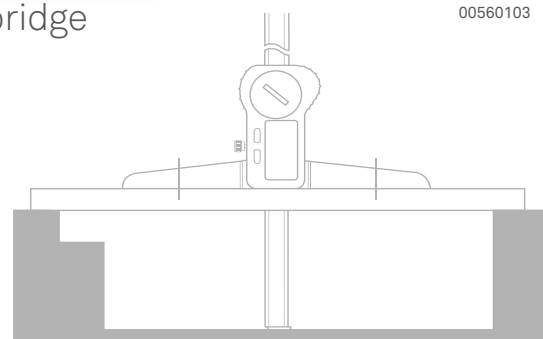
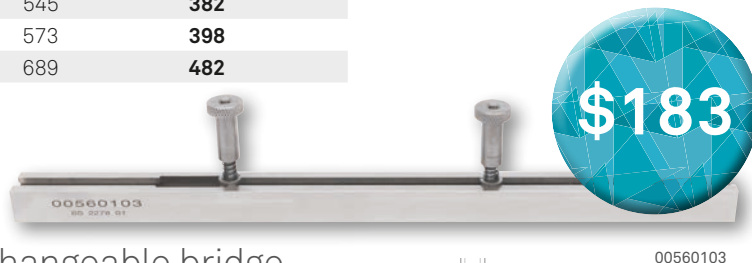
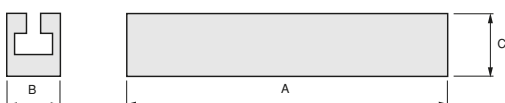


REMOVABLE BRIDGE

Extension of measuring range by interchangeable bridge

Order number	EDP	A (in)	B (in)	C (in)	Reg. price (\$)	Promo price (\$)
00560103	23158	7.874	.452	.393	261	183
00560104	28501	11.811	.629	.629	278	195
00560105	23159	15.748	.629	.629	287	199

Each bridge is delivered with the appropriate fixing screws



B&S INTRIMIK

FROM
\$463



NO INFLUENCE OF TEMPERATURE VARIATION ON THE MEASUREMENT

Order number	EDP	Measuring range (in)	Analogue scale interval (in)	Maximum permissible errors (in)	Repeatability limit (in)	Reg. price (\$)	Promo price (\$)
599-281-3	43972	.275 ÷ .350	.0001	.00016	.00016	579	463
599-281-4	43974	.350 ÷ .425	.0001	.00016	.00016	581	465
599-281-5	43976	.425 ÷ .500	.0001	.00016	.00016	587	470
599-281-6	43978	.500 ÷ .600	.0002	.00016	.00016	595	476
599-281-7	43980	.600 ÷ .700	.0002	.00016	.00016	599	479
599-281-8	43982	.700 ÷ .800	.0002	.00016	.00016	613	490
599-281-10	43984	.800 ÷ 1.000	.0002	.00016	.00016	656	525
599-281-12	43986	1.000 ÷ 1.200	.0002	.00016	.00016	664	531
599-281-14	43988	1.200 ÷ 1.400	.0002	.00016	.00016	672	538
599-281-16	43990	1.400 ÷ 1.600	.0002	.00016	.00016	683	546
599-281-20	43992	1.600 ÷ 2.000	.0002	.00016	.00016	776	621
599-281-24	43994	2.000 ÷ 2.400	.0002	.00020	.00020	787	630
599-281-28	43996	2.400 ÷ 2.800	.0002	.00020	.00020	802	642
599-281-32	43998	2.800 ÷ 3.200	.0002	.00020	.00020	823	658
599-281-36	44000	3.200 ÷ 3.600	.0002	.00020	.00020	838	670
599-281-40	44002	3.600 ÷ 4.000	.0002	.00020	.00020	851	681

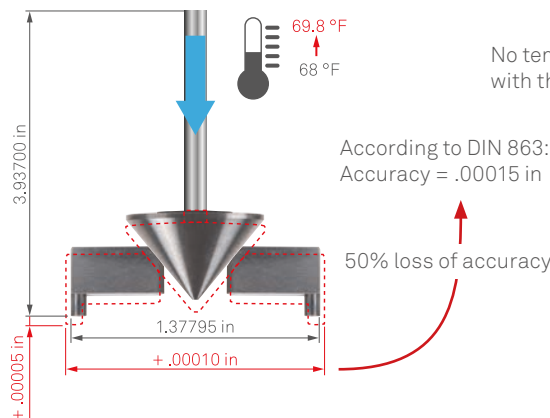
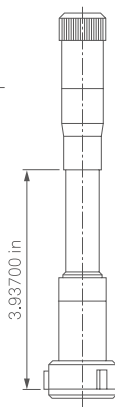
Unique technology even in great depths

Order number	EDP	Designation	Application range (in)	L (in)	Reg. price (\$)	Promo price (\$)
00850001	44020	Extension	.275 ÷ .500	4	144	115
00850301	44027	Extension	.500 ÷ .800	6	179	143
00851100	44033	Extension	.800 ÷ 1.600	6	198	158
00851800	44041	Extension	1.600 ÷ 4.000	6	233	186

Optional extensions up to 12.000 in possible

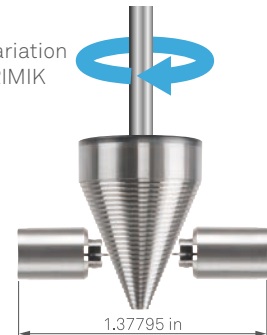


Temperature variation with internal micrometer manufactured by a competitor



B&S INTRIMIK

No temperature variation with the B&S INTRIMIK



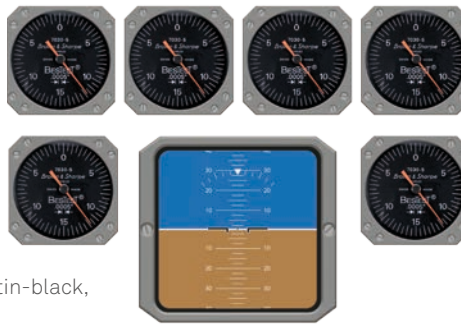
HIGH ACCURACY & VERY LOW MEASURING FORCE WITH 7 RUBY JEWELLED MOVEMENT

Durability thanks to its patented shockproof system - insensitive to magnetic fields



599-7030-5

Order number	EDP	Measuring range (in)	Scale interval (in)	Dial (Ø in)	Circular scale	Reg. price (\$)	Promo price (\$)
599-7029-5	51732	.030	.001	1	0 ÷ 15 ÷ 0	179	143
599-7030-5	51733	.030	.0005	1	0 ÷ 15 ÷ 0	183	146
599-7031-5	51734	.030	.0005	1-1/2	0 ÷ 15 ÷ 0	204	163
599-7032-5	51737	.008	.0001	1	0 ÷ 4 ÷ 0	245	196
599-7033-5	51738	.008	.00005	1-1/2	0 ÷ 4 ÷ 0	258	206
599-7034-5	51735	.020	.0005	1	0 ÷ 10 ÷ 0	228	182
599-7035-5	51736	.020	.0005	1-1/2	0 ÷ 10 ÷ 0	248	198



Easy-to-read, satin-black, "jet console" face



599-7761

599-7763

Order number	EDP	Designation	Base L x W x H (in)	Reg. price (\$)	Promo price (\$)
599-7761	44915	Medium Duty with fine adjust	1.25 x 1.25 x 1.75	121	98
599-7763	44917	Medium Duty with fine adjust	1.25 x 1.25 x 1.75	123	98

For reliable measurements - original accessories for lever dial test indicators

Order number	EDP	Designation	Reg. price (\$)	Promo price (\$)
599-7044	44859	Swivel support (long): 3/8" diameter x 3-5/8" long shank	57	46
599-7054	44869	Universal dovetail attachment accessory for use with BESTEST/TESATAST dial test indicator	33	26
074106931	41656	Axial support - .375 stem	72	58



599-7044



074106931



599-7054

Since 2001, the long metrology tradition of the Brown & Sharpe brand has been integrated under TESA Technology, the premier Swiss precision measuring instruments manufacturer. TESA is part of Hexagon Manufacturing Intelligence, the world's largest metrology product provider.

TESA and Brown & Sharpe have solid roots in precision metrology and continue to lead the industry with innovative technologies. Our premium hand tools are the first choice for reliability, helping customers improve their quality control and increase their productivity.



Insert "." at
end of
sentence.



HexagonMI.com | TESAtechnology.com

Authorized distributor:
Willrich Precision
Ph 866-945-5742
sales@willrich.com

About Hexagon Manufacturing Intelligence

Hexagon Manufacturing Intelligence helps industrial manufacturers develop the disruptive technologies of today and the life-changing products of tomorrow. As a leading metrology and manufacturing **solution special**, our expertise in sensing, thinking and acting – the collection, analysis and active use of measurement data – gives our customers the confidence to increase production speed and accelerate productivity while enhancing product quality.

Through a network of local service centres, production facilities and commercial operations across five continents, we are shaping smart change in manufacturing to build a world where quality drives productivity. For more information, visit HexagonMI.com.

Hexagon Manufacturing Intelligence is part of Hexagon (Nasdaq Stockholm: HEXA B; hexagon.com), a leading global provider of information technologies that drive quality and productivity across geospatial and industrial enterprise applications.

About Brown & Sharpe

Brown & Sharpe, pioneering brand of the first modern vernier caliper to read to thousandths of an inch, has continuously developed and produced high-quality devices, earning a prestigious reputation during the American industrial revolution.

Today, Brown & Sharpe precision hand tools are integrated under the TESA umbrella by the Hexagon Manufacturing Intelligence division, the world's largest metrology product provider, becoming TESA's first choice for products with imperial scale.

About TESA

Established in 1941 and headquartered in Renens, Switzerland, TESA SA manufactures and markets precision measuring instruments that stand for quality, reliability and longevity.

More than 70 years, TESA has distinguished itself in the market through its excellent products, its unique expertise in micromechanics and precision machining as well as its proven experience in dimensional metrology.

The TESA brand is the global market leader in the field of height gauges and a pioneer thanks to its wide range of instruments, including **callipers**, micrometers, dial gauges, lever-type dial test indicators and inductive probes. TESA is a true benchmark for the inspection of incoming goods, as well as for production workshops and quality assurance laboratories.

Through its worldwide distribution network the company focuses on the mechanical engineering, micromechanical, automotive, aerospace, watchmaking and medical industries. In 2001, TESA became part of Hexagon, a leading global provider of information technologies.