

# Change Notification Product Specifications of Optional measuring styli for LH-600

## LH-600 用オプションプローブ 製品仕様書 変更通知

### 1 . Reason for the change / 変更理由

Corrections of the clerical errors / 誤記訂正

### 2 . Time of the change / 切替時期

Immediate implementation / 即時

### 3 . Contents of the change and add / 変更・追加内容

| Page/<br>ページ | Before the change/<br>変更前 | After the change/<br>変更後 | Reason for the change/<br>変更理由            |
|--------------|---------------------------|--------------------------|---|
| 2/9          | 12AAF634                  | 12AA343                  | Corrections of the clerical errors / 誤記訂正 |
| 2/9          |                           |                          | Corrections of the clerical errors / 誤記訂正 |

- 配布先
- 販促部
- 業務部
- 国内 (営)
- MCC
- 海外 (営)
- 物流 C
- サービス
- 計測学院
- 開発研
- 主管工場
- 本管

| Rev. | Date | Contents of change (Factory Control No.) | Approved |
|------|------|--|----------|
| △    |      |  |          |
| △    |      |  |          |

Features

Export Control :  Listed /  Non-listed      Control Screening Sheet No. XAB40-0000202, XAB40-0000204, JRH07-00810, JRH07-00252, JRH07-00253

Description of Specified Technologies (except known technologies) according to Foreign Exchange and Foreign Trade Law of Japan :  Not included /  Included

Export Control type :  A,  B,  C,  D

| Kure                                       | Plant                 | Export Control section | HQ PCD                    | Prod. Start | Code No. Parts No. | Model No. | Mass Net (kg) (W/Case (kg)) | Bar Code Registered No. | Remark |
|--|-----------------------|------------------------|---------------------------|-------------|--------------------|-----------|-----------------------------|-------------------------|--------|
| H.Skanda<br>K.Hirano<br>K.Fujita<br>N.KOGA | S.Yoshinari<br>K.Noma | T.Nakamura             | GCD<br>グローバル<br>需給<br>管理部 | .           | .                  | .         | .                           | .                       | .      |
| Issued<br>2024.2.28                        | Approved<br>2024.2.28 | Issued<br>2024.3.13    |                           | .           | .                  | .         | .                           | .                       | .      |

New       Revision      **Product Specification**

No.MI-2715



(1/1)

Product Name

LH-600 用 オプションプローブ  
Optional measuring styli for LH-600

Ignited Dangerous articles : Yes /  No

Lithium battery type for transport : Not Applicable

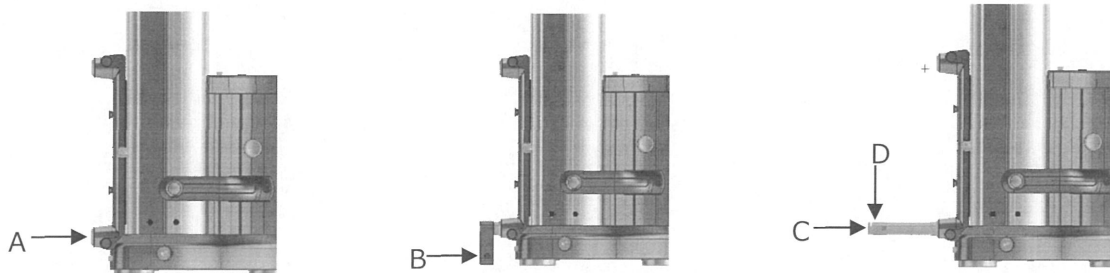
Country of Origin : Japan

Parts list issued :

| Docu. No.: DC014-01-025A   | 1/9  | <b>Mitutoyo</b>         | K-10   |  |                    |           |                             |                         |        |             |                    |           |                             |                         |        |    |  |  |                           |       |                |  |  |  |  |                               |  |  |  |  |  |  |  |  |                       |                         |                        |  |  |  |  |  |  |
|--|--|-------------------------|--|--|--------------------|-----------|-----------------------------|-------------------------|--------|-------------|--------------------|-----------|-----------------------------|-------------------------|--------|----|--|--|---------------------------|-------|----------------|--|--|--|--|-------------------------------|--|--|--|--|--|--|--|--|-----------------------|-------------------------|------------------------|--|--|--|--|--|--|
| Product Outline (Illustration etc)   |  |                         | File: 27-9-99  |  |                    |           |                             |                         |        |             |                    |           |                             |                         |        |    |  |  |                           |       |                |  |  |  |  |                               |  |  |  |  |  |  |  |  |                       |                         |                        |  |  |  |  |  |  |
| <h1>Optional measuring styli for LH-600</h1> <h2>Product Specifications</h2>   |  |                         |  |  |                    |           |                             |                         |        |             |                    |           |                             |                         |        |    |  |  |                           |       |                |  |  |  |  |                               |  |  |  |  |  |  |  |  |                       |                         |                        |  |  |  |  |  |  |
| <b>1. Appealing Point</b>  |  |                         |  |  |                    |           |                             |                         |        |             |                    |           |                             |                         |        |    |  |  |                           |       |                |  |  |  |  |                               |  |  |  |  |  |  |  |  |                       |                         |                        |  |  |  |  |  |  |
| 1) These products are optional probes and extension holders for LH-600.<br>2) These styli can realize the measuring range (probe length 300mm × hole depth: 300mm) that outperforms competitors.<br>3) More than 100 types of measurements can be taken if the holders and styli are combined.<br>4) Optional probes are not included in the scope of accuracy assurance. The accuracy may differ depending on the probe to be used.   |  |                         |  |  |                    |           |                             |                         |        |             |                    |           |                             |                         |        |    |  |  |                           |       |                |  |  |  |  |                               |  |  |  |  |  |  |  |  |                       |                         |                        |  |  |  |  |  |  |
| <b>2. Probe types</b>  |  |                         |  |  |                    |           |                             |                         |        |             |                    |           |                             |                         |        |    |  |  |                           |       |                |  |  |  |  |                               |  |  |  |  |  |  |  |  |                       |                         |                        |  |  |  |  |  |  |
| ・The probes are categorized into the following three types.<br>① Combination of a holder and a stylus :<br>A holder and stylus can be combined freely according to measurement purposes.<br>The measurement range can be changed depending on the combination of the holder and stylus.<br>② Use of an all-in-one probe :<br>This type is used for hole position measurement, sharp-edge measurement, etc.<br>③ Combination of a holder and a Digimatic Indicator or lever head probe :<br>This type is used for perpendicularity and straightness measurement.  |  |                         |  |  |                    |           |                             |                         |        |             |                    |           |                             |                         |        |    |  |  |                           |       |                |  |  |  |  |                               |  |  |  |  |  |  |  |  |                       |                         |                        |  |  |  |  |  |  |
|  |  |                         | <input type="checkbox"/> Rev.<br><input type="checkbox"/> Date |  |                    |           |                             |                         |        |             |                    |           |                             |                         |        |    |  |  |                           |       |                |  |  |  |  |                               |  |  |  |  |  |  |  |  |                       |                         |                        |  |  |  |  |  |  |
| Features   |  |                         |  | Contents of change (Factory Control No.) Approved          |                    |           |                             |                         |        |             |                    |           |                             |                         |        |    |  |  |                           |       |                |  |  |  |  |                               |  |  |  |  |  |  |  |  |                       |                         |                        |  |  |  |  |  |  |
|  |  |                         |  |  |                    |           |                             |                         |        |             |                    |           |                             |                         |        |    |  |  |                           |       |                |  |  |  |  |                               |  |  |  |  |  |  |  |  |                       |                         |                        |  |  |  |  |  |  |
| <b>Export Control : Listed / <span style="border: 1px solid black; padding: 2px;">Non-listed</span>     Control Screening Sheet No. XAB40-0000202, JRH07-00810, JRH07-00252, JRH07-00253</b>   |  |                         |  |  |                    |           |                             |                         |        |             |                    |           |                             |                         |        |    |  |  |                           |       |                |  |  |  |  |                               |  |  |  |  |  |  |  |  |                       |                         |                        |  |  |  |  |  |  |
| <b>Description of Specified Technologies (except known technologies) according to Foreign Exchange and Foreign Trade Law of Japan : <span style="border: 1px solid black; padding: 2px;">Not included</span> / Included</b>  |  |                         |  |  |                    |           |                             |                         |        |             |                    |           |                             |                         |        |    |  |  |                           |       |                |  |  |  |  |                               |  |  |  |  |  |  |  |  |                       |                         |                        |  |  |  |  |  |  |
| <table border="1" style="width: 100%; border-collapse: collapse;"> <thead> <tr> <th>Kure</th> <th>Plant</th> <th>Export Control section</th> <th>HQ PCD</th> <th>Prod. Start</th> <th>Code No. Parts No.</th> <th>Model No.</th> <th>Mass Net (kg) (W/Case (kg))</th> <th>Bar Code Registered No.</th> <th>Remark</th> </tr> </thead> <tbody> <tr> <td rowspan="3" style="text-align: center; vertical-align: middle;">合計</td> <td colspan="2"> <i>H. Sando, R. Doi, M. Sato</i><br/> <i>K. Hirano, S. OKADA</i> </td> <td style="text-align: center;">           GCD<br/>           グローバル<br/>           需給<br/>           管理部         </td> <td style="text-align: center;">23. /</td> <td colspan="3" style="text-align: center; border: 1px solid gray;">Refer to sec 4</td> <td></td> <td></td> </tr> <tr> <td colspan="2"> <i>K. Nojima, T. Nakamura</i> </td> <td></td> <td></td> <td></td> <td></td> <td></td> <td></td> <td></td> </tr> <tr> <td>Issued<br/>2022. 11. 8</td> <td>Approved<br/>2022. 11. 8</td> <td>Issued<br/>2022. 11. 18</td> <td></td> <td></td> <td></td> <td></td> <td></td> <td></td> </tr> </tbody> </table> |  |                         |  |  |                    | Kure      | Plant                       | Export Control section  | HQ PCD | Prod. Start | Code No. Parts No. | Model No. | Mass Net (kg) (W/Case (kg)) | Bar Code Registered No. | Remark | 合計 | <i>H. Sando, R. Doi, M. Sato</i><br><i>K. Hirano, S. OKADA</i> |  | GCD<br>グローバル<br>需給<br>管理部 | 23. / | Refer to sec 4 |  |  |  |  | <i>K. Nojima, T. Nakamura</i> |  |  |  |  |  |  |  |  | Issued<br>2022. 11. 8 | Approved<br>2022. 11. 8 | Issued<br>2022. 11. 18 |  |  |  |  |  |  |
| Kure   | Plant  | Export Control section  | HQ PCD   | Prod. Start  | Code No. Parts No. | Model No. | Mass Net (kg) (W/Case (kg)) | Bar Code Registered No. | Remark |             |                    |           |                             |                         |        |    |  |  |                           |       |                |  |  |  |  |                               |  |  |  |  |  |  |  |  |                       |                         |                        |  |  |  |  |  |  |
| 合計   | <i>H. Sando, R. Doi, M. Sato</i><br><i>K. Hirano, S. OKADA</i> |                         | GCD<br>グローバル<br>需給<br>管理部                                      | 23. /  | Refer to sec 4     |           |                             |                         |        |             |                    |           |                             |                         |        |    |  |  |                           |       |                |  |  |  |  |                               |  |  |  |  |  |  |  |  |                       |                         |                        |  |  |  |  |  |  |
|  | <i>K. Nojima, T. Nakamura</i>                                  |                         |  |  |                    |           |                             |                         |        |             |                    |           |                             |                         |        |    |  |  |                           |       |                |  |  |  |  |                               |  |  |  |  |  |  |  |  |                       |                         |                        |  |  |  |  |  |  |
|  | Issued<br>2022. 11. 8  | Approved<br>2022. 11. 8 | Issued<br>2022. 11. 18   |  |                    |           |                             |                         |        |             |                    |           |                             |                         |        |    |  |  |                           |       |                |  |  |  |  |                               |  |  |  |  |  |  |  |  |                       |                         |                        |  |  |  |  |  |  |
| <b>Product Specification</b><br><input checked="" type="checkbox"/> New<br><input type="checkbox"/> Revision<br>No. <u>MI-2715</u> (1/9)   |  |                         |  | <b>Product Name</b><br>Optional measuring styli for LH-600 |                    |           |                             |                         |        |             |                    |           |                             |                         |        |    |  |  |                           |       |                |  |  |  |  |                               |  |  |  |  |  |  |  |  |                       |                         |                        |  |  |  |  |  |  |
| Ignited Dangerous articles : Yes / <input checked="" type="checkbox"/> No<br>Lithium battery type for transport : Not Applicable<br>Country of Origin : Japan<br>Parts list issued :   |  |                         |  |  |                    |           |                             |                         |        |             |                    |           |                             |                         |        |    |  |  |                           |       |                |  |  |  |  |                               |  |  |  |  |  |  |  |  |                       |                         |                        |  |  |  |  |  |  |

|       |
|-------|
| 配布先   |
| 販促部   |
| 業務部   |
| 国内(営) |
| MCC   |
| 海外(営) |
| 物流C   |
| サービス  |
| 計測学院  |
| 開発研   |
| 主管工場  |
| 本管    |
|       |
|       |
|       |
|       |
|       |
|       |
|       |
|       |
|       |
|       |
|       |
|       |
|       |
|       |

### 3. Optional probe mounting point



### 4. Specifications and external views

#### 4.1 List of holders and stylus at mounting point A

| Parts No.   | Name   | Appearance                        | Mass | Weight Qty | Mounting |
|---|--|-----------------------------------|------|------------|----------|
| 1 <span style="border: 1px solid black; padding: 2px;">1</span><br>12AAF634<br>12AAY343 | $\phi 5$ stepped probe<br>(Standard accessories)                     | <p>Packing size : 136×97×60mm</p> | 310g | 2          | A        |
| 12AAA792<br>12AAA837  | Holder for Dial Indicator<br>mm<br>Holder for Dial Indicator<br>inch | <p>Packing size : 136×97×60mm</p> | 220g | 0          | A        |
| 12AAA793  | Holder (long)  | <p>Packing size : 136×97×60mm</p> | 220g | 0~2        | A        |
| 12AAB136  | $\phi 10$ cylindrical universal probe                                | <p>Packing size : 136×97×60mm</p> | 300g | 2          | A        |

|      |            |   |          |
|------|------------|---|----------|
| △    |            |   |          |
| 1    | 2024/02/27 | Corrections of the clerical errors DD070-26436(2) | 大久保      |
| Rev. | Date       | Contents of change (Factory Control No.)          | Approved |

New  
Revision

Product Specifications

No. MI-2715 ( 2 / 9 )

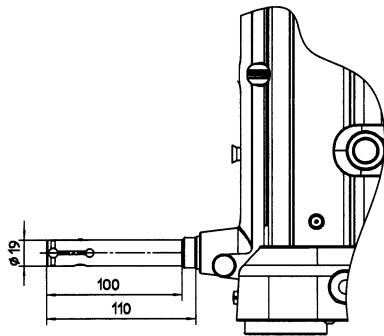
Product Name

Optional measuring stylus for LH-600

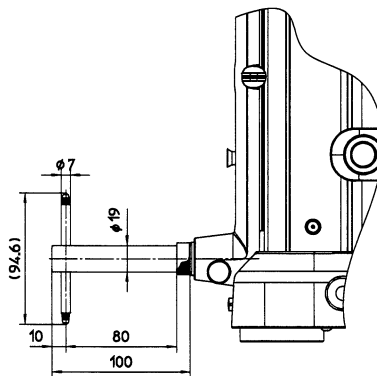
| Parts No.      | Name                 | Appearance                       | Mass | Weight Qty | Mounting |
|----------------|----------------------|----------------------------------|------|------------|----------|
| ※1<br>12AAY595 | Extension holder 100 | <br>Packing size : 275×100×75mm  | 269g | —          | A        |
| ※1<br>12AAY596 | Extension holder 200 | <br>Packing size : 285×105×115mm | 269g | —          | A        |
| 12AAC072       | Depth probe          | <br>Packing size : 160×24×25mm   | 310g | 2          | A        |
| 12AAC073       | Tapered stylus (φ20) | <br>Packing size : 160×24×25mm   | 310g | 2          | A        |

※1 : The stylus are newly added when LH-600F/FG is released.

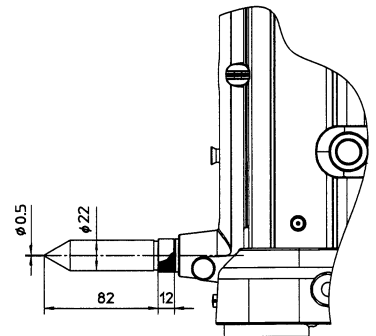
◆ Mounting image



In case of extension holder A



In case of depth probe



In case of tapered stylus (φ20)

|      |      |  |          |
|------|------|--|----------|
|      |      |  |          |
| Rev. | Date | Contents of change (Factory Control No.) | Approved |

New  
Revision

Product Specifications

No. **MI-2715** ( 3 / 9 )

Product Name

Optional measuring stylus for LH-600

**4.2 List of stylus at mounting point B,C**

| Parts No. | Name                                       | Appearance                       | Mass | Weight Qty | Mounting |
|-----------|--|----------------------------------|------|------------|----------|
| 12AAF666  | φ1 ball stylus<br>(coaxial type)           | <p>Packing size : 86×28×26mm</p> | 25g  | 2          | B, C     |
| 957261    | φ2 ball stylus<br>(coaxial type)           | <p>Packing size : 86×28×26mm</p> | 25g  | 2          | B, C     |
| 12AAF667  | φ2 ball stylus<br>(coaxial type) ruby ball | <p>Packing size : 86×28×26mm</p> | 25g  | 2          | B, C     |
| 957262    | φ3 ball stylus<br>(coaxial type)           | <p>Packing size : 70×60×35mm</p> | 25g  | 2          | B, C     |
| 957263    | φ4 ball stylus<br>(coaxial type)           | <p>Packing size : 70×60×35mm</p> | 25g  | 2          | B, C     |
| 12AAB552  | φ10 ball stylus<br>(coaxial type) L=50     | <p>Packing size : 70×60×35mm</p> | 22g  | 2          | B, C     |
| 12AAF668  | φ10 ball stylus<br>(coaxial type) L=82     | <p>Packing size : 70×60×35mm</p> | 34g  | 1          | B, C     |

|      |      |  |          |
|------|------|--|----------|
|      |      |  |          |
|      |      |  |          |
| Rev. | Date | Contents of change (Factory Control No.) | Approved |

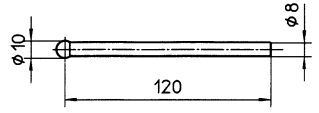
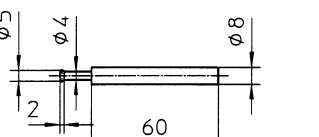
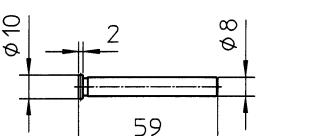
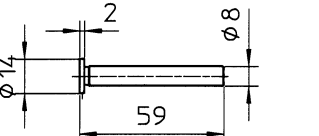
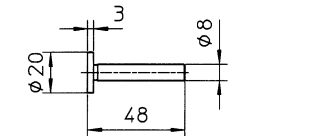
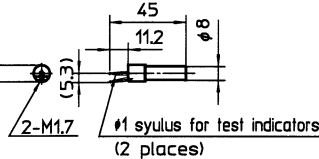
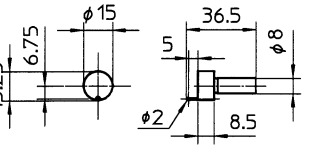
New  
Revision


Product Specifications

No. **MI-2715** ( 4 / 9 )

Product Name

Optional measuring stylus for LH-600

| Parts No. | Name                                    | Appearance  | Mass | Weight Qty | Mounting |
|-----------|---|---|------|------------|----------|
| 12AAF669  | φ10 ball stylus<br>(coaxial type) L=120 | <br>Packing size : 165×70×40mm  | 46g  | 1          | B, C     |
| 12AAF670  | φ5 disc stylus                          | <br>Packing size : 70×60×35mm   | 25g  | 2          | B, C     |
| 12AAF671  | φ10 disc stylus                         | <br>Packing size : 70×60×35mm   | 24g  | 2          | B, C     |
| 957264    | φ14 disc stylus                         | <br>Packing size : 70×60×35mm  | 25g  | 2          | B, C     |
| 957265    | φ20 disc stylus                         | <br>Packing size : 70×60×35mm | 25g  | 2          | B, C     |
| 12AAF672  | φ1 ball stylus<br>(eccentric type)      | <br>Packing size : 70×60×35mm | 16g  | 2          | B, C     |
| 12AAF673  | φ2 ball stylus<br>(eccentric type)      | <br>Packing size : 70×60×35mm | 21g  | 2          | B, C     |

|   |      |  |          |
|---|------|--|----------|
|  |      |  |          |
| Rev.  | Date | Contents of change (Factory Control No.) | Approved |

New  
Revision

Product Specifications

No. **MI-2715** ( 5 / 9 )

Product Name

Optional measuring stylus for LH-600

| Parts No.      | Name                               | Appearance                          | Mass | Weight Qty | Mounting |
|----------------|------------------------------------|-------------------------------------|------|------------|----------|
| 12AAA788       | φ4 ball stylus<br>(eccentric type) | <p>Packing size : 70×60×35mm</p>    | 20g  | 2          | B, C     |
| 12AAA789       | φ6 ball stylus<br>(eccentric type) | <p>Packing size : 114×28×26mm</p>   | 60g  | 1          | B, C     |
| 226117         | Shank with M2 thread               | <p>Packing size : 70×60×35mm</p>    | 20g  | 2          | B, C     |
| 226118         | Shank with M3 thread               | <p>Packing size : 70×60×35mm</p>    | 20g  | 2          | B, C     |
| ※1<br>12AAY597 | φ5 ball stylus L=130               | <p>Packing size : 169×91×36.5mm</p> | 47g  | 1          | B, C     |
| ※1<br>12AAY598 | φ25 disk stylus                    | <p>Packing size : 169×91×36.5mm</p> | 50g  | 1          | B, C     |

※1 : The stylus are newly added when LH-600F/FG is released.

|      |      |  |          |
|------|------|--|----------|
|      |      |  |          |
|      |      |  |          |
| Rev. | Date | Contents of change (Factory Control No.) | Approved |

New  
Revision

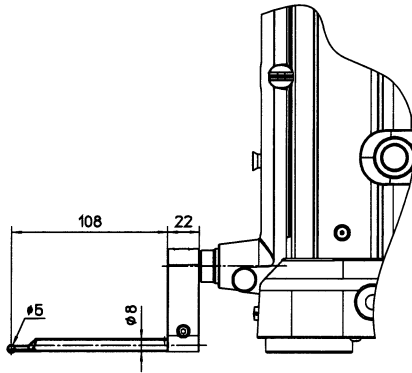
Product Specifications

No. **MI-2715** ( 6 / 9 )

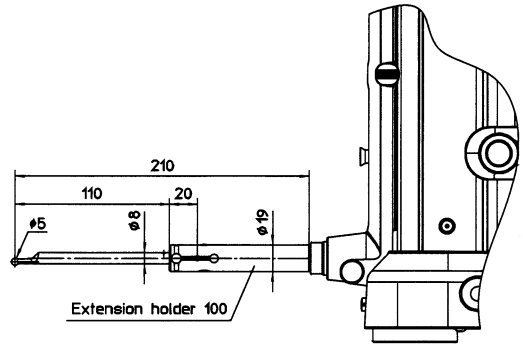
Product Name

Optional measuring stylus for LH-600

◆ Mounting image



φ5 ball stylus L=130  
mounted at position B



φ5 ball stylus L=130  
mounted at position C

4.3 List of stylus at mounting point D

| Parts No.      | Name             | Appearance | Mass | Weight Qty | Mounting |
|----------------|------------------|------------|------|------------|----------|
| ※1<br>12AAY599 | Depth stylus 70  |            | 29g  | 2          | D        |
| ※1<br>12AAY600 | Depth stylus 150 |            | 53g  | 1          | D        |
| ※1<br>12AAY601 | Depth stylus 300 |            | 97g  | 0          | D        |

|      |      |  |          |
|------|------|--|----------|
| △    |      |  |          |
| △    |      |  |          |
| Rev. | Date | Contents of change (Factory Control No.) | Approved |

New  
Revision

Product Specifications

No. **MI-2715** ( 7 / 9 )

Product Name

Optional measuring stylus for LH-600



| Parts No.      | Name                     | Appearance                          | Mass | Weight Qty | Mounting |
|----------------|--------------------------|-------------------------------------|------|------------|----------|
| ※1<br>12AAY602 | Depth stylus 70 φ2 ball  | <p>Packing size : 169×91×36.5mm</p> | 27g  | 2          | D        |
| ※1<br>12AAY603 | Depth stylus 150 φ2 ball | <p>Packing size : 269×167×41mm</p>  | 50g  | 1          | D        |
| ※1<br>12AAY604 | Depth stylus 300 φ2 ball | <p>Packing size : 348×216×46mm</p>  | 97g  | 0          | D        |
| ※1<br>12AAY605 | Depth stylus 70 φ4 ball  | <p>Packing size : 169×91×36.5mm</p> | 29g  | 2          | D        |

|      |      |  |          |
|------|------|--|----------|
|      |      |  |          |
| Rev. | Date | Contents of change (Factory Control No.) | Approved |

New  
Revision

Product Specifications

No. MI-2715 ( 8 / 9 )

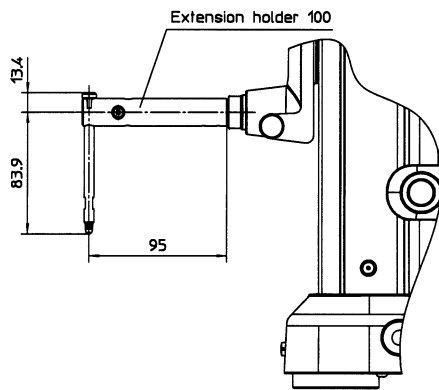
Product Name

Optional measuring stylus for LH-600

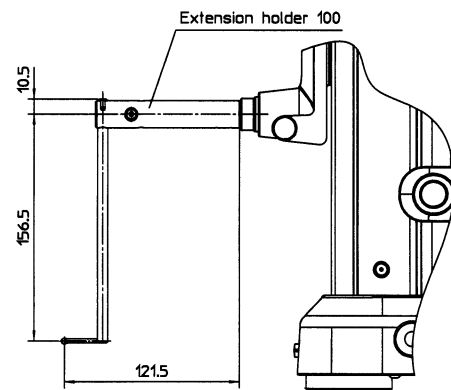
| Parts No.      | Name                     | Appearance | Mass | Weight Qty | Mounting |
|----------------|--------------------------|------------|------|------------|----------|
| ※1<br>12AAY606 | Depth stylus 150 φ4 ball |            | 53g  | 1          | D        |
| ※1<br>12AAY607 | Depth stylus 300 φ4 ball |            | 98g  | 0          | D        |

※1 : The stylus are newly added when LH-600F/FG is released.

◆ Mounting image



Depth stylus 70  
mounted at position D



Depth stylus 150 φ4 ball  
mounted at position D

|      |      |  |          |
|------|------|--|----------|
| △    |      |  |          |
| △    |      |  |          |
| Rev. | Date | Contents of change (Factory Control No.) | Approved |

New  
Revision

Product Specifications

No. MI-2715 ( 9 / 9 )

Product Name

Optional measuring stylus for LH-600