

Bore Gages

SERIES 526 — for Extra Small Holes

These bore gages measure diameters of small holes. The radial displacement of split-ball contact is converted to axial displacement of measuring rod, which is shown on the dial indicator.

FEATURES

- Optional stand (215-120-10) is available for efficient measurement of multiple small holes.

SPECIFICATIONS

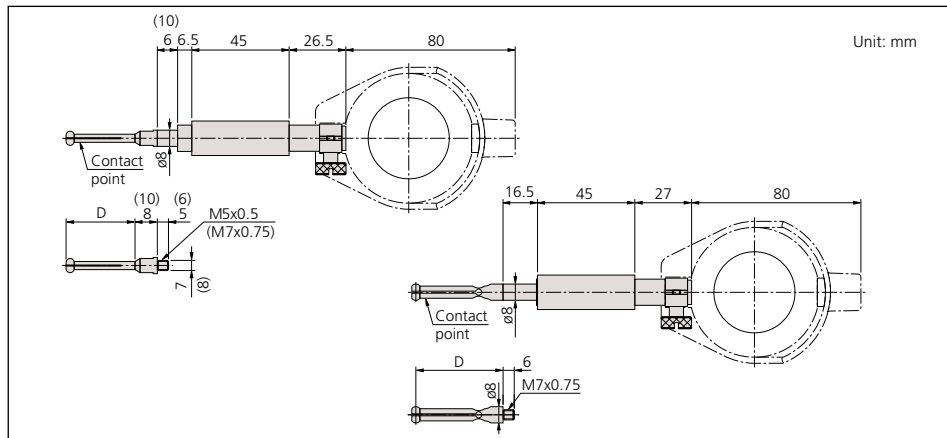
Metric		Gage Stem \varnothing 8mm					
Measuring Range	Order No. Without Dial Gage	Order No. With 2046SB Graduation 0.01mm	Order No. With 2109SB-10 Graduation 0.001mm	Number of Anvils	Number of Needles	Probe depth (D)	Setting Rings
0.95-1.55mm	526-170-10*	526-173-10	526-172-10	5	1	11.5mm	-
0.95-1.55mm	526-170-11*	526-173-11	526-172-11	5	1	11.5mm	5
1.5-3.95mm	526-160-10*	526-163-10	526-162-10	9	2	17.5,22.5mm	-
1.5-3.95mm	526-160-11*	526-163-11	526-162-11	9	2	17.5,22.5mm	9
3.7-7.3mm	526-150-10*	526-153-10	526-152-10	7	1	32mm	-
3.7-7.3mm	526-150-11*	526-153-11	526-152-11	7	1	32mm	7
7 - 10mm	526-101*	526-126	526-124	6	1	56mm	
10 - 18mm	526-102*	526-127	526-125	8	1	62mm	

*Does not come with Dial Gage Protector (21DZA000)

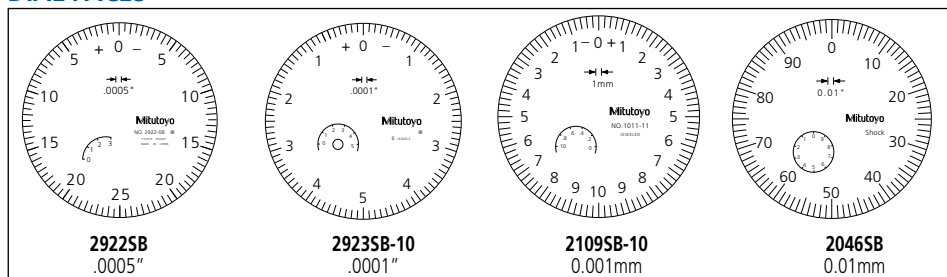
Inch		Gage Stem Dia .375"					
Measuring Range	Order No. Without Dial Gage	Order No. With 2922SB Graduation .0005"	Order No. With 2923SB-10 Graduation .0001"	Number of Anvils	Number of Needles	Probe depth (D)	Setting Rings
.037-.061"	526-175-10*	-	526-176-10	5	1	.453"	-
.037-.061"	526-175-11*	-	526-176-11	5	1	.453"	5
.059-.156"	526-165-10*	-	526-166-10	9	2	.689, .886"	-
.059-.156"	526-165-11*	-	526-166-11	9	2	.689, .886"	9
.146-.287"	526-155-10*	-	526-156-10	7	1	1.26"	-
.146-.287"	526-155-11*	-	526-156-11	7	1	1.26"	7
.3 - .4"	526-103*	526-119	526-122	6	1	2.2"	
.4 - .7"	526-104*	526-120	526-123	8	1	2.4"	

*Does not come with Dial Gage Protector (21DZA000)

DIMENSIONS



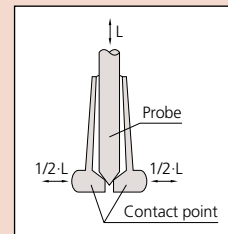
DIAL FACES



Technical Data

Accuracy: $4\mu\text{m} / .00016''$
 Indication stability: $2\mu\text{m} / .00008''$
 Graduation: 0.01mm, 0.001mm, .0005" or .00001"

Contact Point



Optional Accessory

215-120-10: Bore gage stand



----- : Setting ring (See page C-29.)