

# Self centring dial bore gage MaraMeter 844 K

Willrich Precision  
Ph 866-945-5742  
sales@willrich.com



## Application:

- Measuring the diameter, roundness and conicity of bores
- Spring loaded halves of measuring probe are split via expanding pin with precision lapped taper. This movement is transferred to indicating instrument

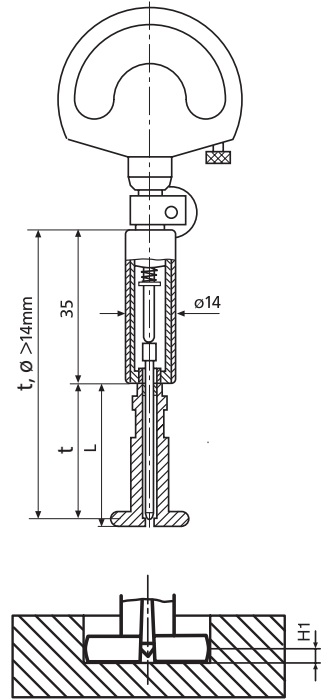
- Maximum wear resistance due to **hard chrome plating**
- Constant measuring force as a result of built-in spring, eliminating user influence
- Highly versatile, each gage covers a large range. Within the respective limits, quickly and easily adjustable to any size and any type of measuring application
- Extensive modular system is composed of measuring probe, holder, depth extensions, right angle attachments and depth stops
- **Scope of delivery:** Measuring holder, Probe, Expanding pin, Wooden case, excludes indicator

## Technical Data

Order no.	Product type	Nominal size	Individual probe measuring range	Measuring range	Number of measuring probes	Linearity deviation fe	Repeatability $f_w$
		mm	mm	mm	Piece		$\mu\text{m}$
4470000	844 K	0,50	<b>0,47</b> – 0,53	0.47 – 0.97	6	2%, min. 1 $\mu\text{m}$	1
		0,55	0,52 – 0,58				
		0,60	0,57 – 0,67				
		0,70	0,65 – 0,77				
		0,80	0,75 – 0,87				
		0,90	0,85 – <b>0,97</b>				
4470001	844 K	1,00	<b>0,95</b> – 1,15	0.95 – 1.55	5	2%, min. 1 $\mu\text{m}$	1
		1,10	1,07 – 1,25				
		1,20	1,17 – 1,35				
		1,30	1,27 – 1,45				
		1,40	1,37 – <b>1,55</b>				
4470002	844 K	1,75	<b>1,50</b> – 1,90	1.5 – 4.2	10	1%, min. 1 $\mu\text{m}$	1
		2,00	1,80 – 2,20				
		2,25	2,05 – 2,45				
		2,50	2,30 – 2,70				
		2,75	2,55 – 2,95				
		3,00	2,80 – 3,20				
		3,25	3,05 – 3,45				
		3,50	3,30 – 3,70				
		3,75	3,55 – 3,95				
		4,00	3,80 – <b>4,20</b>				
4470003	844 K	4,00	<b>3,70</b> – 4,30	3.7 – 7.3	7	1%, min. 1 $\mu\text{m}$	1
		4,50	4,20 – 4,80				
		5,00	4,70 – 5,30				
		5,50	5,20 – 5,80				
		6,00	5,70 – 6,30				
		6,50	6,20 – 6,80				
		7,00	6,70 – <b>7,30</b>				
4470004	844 K	7,50	<b>7,20</b> – 7,80	6.7 – 10.3	7	1%, min. 1 $\mu\text{m}$	1
		8,00	7,70 – 8,30				
		8,50	8,20 – 8,80				
		9,00	8,70 – 9,30				
		9,50	9,20 – 9,80				
		10,00	9,70 – <b>10,30</b>				
4470005	844 K	10,00	<b>9,40</b> – 10,60	9.4 – 18.6	9	1%, min. 1 $\mu\text{m}$	1
		11,00	10,40 – 11,60				
		12,00	11,40 – 12,60				
		13,00	12,40 – 13,60				
		14,00	13,40 – 14,60				
		15,00	14,40 – 15,60				
		16,00	15,40 – 16,60				
		17,00	16,40 – 17,60				
		18,00	17,40 – <b>18,60</b>				

# Self centring dial bore gage MaraMeter 844 K

Order no.	Nominal size	Individual probe measuring range	Dimension H1	L mm	Measuring depth
	mm	mm			mm
4470000	0,50	<b>0,47</b> - 0,53	0,25	19,50	1,25
	0,55	0,52 - 0,58	0,27	19,50	1,5
	0,60	0,57 - 0,67	0,29	19,50	1,7
	0,70	0,65 - 0,77	0,31	19,50	2,2
	0,80	0,75 - 0,87	0,33	19,50	2,55
4470001	0,90	0,85 - <b>0,97</b>	0,35	19,50	2,65
	1,00	<b>0,95</b> - 1,15	0,6	19,50	10,5
	1,10	1,07 - 1,25	0,6	19,50	10,5
	1,20	1,17 - 1,35	0,6	19,50	10,5
	1,30	1,27 - 1,45	0,6	19,50	10,5
4470002	1,40	1,37 - <b>1,55</b>	0,6	19,50	10,5
	1,75	<b>1,50</b> - 1,90	0,9	25,30	16
	2,00	1,80 - 2,20	0,9	25,30	16
	2,25	2,05 - 2,45	0,9	25,30	16
	2,50	2,30 - 2,70	1,2	30,60	21
	2,75	2,55 - 2,95	1,2	30,60	21
	3,00	2,80 - 3,20	1,2	30,60	21
	3,25	3,05 - 3,45	1,2	30,60	21
	3,50	3,30 - 3,70	1,2	30,60	21
	3,75	3,55 - 3,95	1,2	30,60	21
4470003	4,00	3,80 - <b>4,20</b>	1,2	30,60	21
	4,00	<b>3,70</b> - 4,30	2,0	47,30	38
	4,50	4,20 - 4,80	2,0	47,30	38
	5,00	4,70 - 5,30	2,0	47,30	38
	5,50	5,20 - 5,80	2,0	47,30	38
	6,00	5,70 - 6,30	2,0	47,30	38
	6,50	6,20 - 6,80	2,0	47,30	38
4470004	7,00	6,70 - <b>7,30</b>	2,0	47,30	38
	7,50	<b>7,20</b> - 7,80	2,0	47,30	38
	8,00	7,70 - 8,30	2,0	47,30	38
	8,50	8,20 - 8,80	2,0	47,30	45
	9,00	8,70 - 9,30	2,0	47,30	45
4470005	9,50	9,20 - 9,80	2,0	47,30	45
	10,00	9,70 - <b>10,30</b>	2,0	47,30	45
	10,00	<b>9,40</b> - 10,60	3,3	48,50	45
	11,00	10,40 - 11,60	3,3	48,50	45
	12,00	11,40 - 12,60	3,3	48,50	45
	13,00	12,40 - 13,60	3,3	48,50	45
	14,00	13,40 - 14,60	3,3	48,50	45
	15,00	14,40 - 15,60	3,3	48,50	45
	16,00	15,40 - 16,60	3,3	48,50	80
17,00	16,40 - 17,60	3,3	48,50	80	
18,00	17,40 - <b>18,60</b>	3,3	48,50	80	

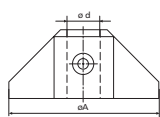


Willrich Precision Ph 866-945-5742 sales@willrich.com

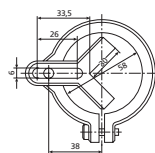
# Self centring dial bore gage MaraMeter 844 K

## Accessories

Order no.	g	Product name	Product type
4335000		Millimess 0.5 $\mu\text{m}$ , $\pm 25 \mu\text{m}$	1002
4334000		Millimess 1 $\mu\text{m}$ , $\pm 50 \mu\text{m}$	1003
4333000		Millimess 5 $\mu\text{m}$ , $\pm 130 \mu\text{m}$	1004
4337662		Digital Indicator, 0.0005 mm, 12.5 mm	1087 BR
4337664		Digital Indicator, 0.0005 mm, 12.5 mm	1087 BRi
4346100		Inductive dial comparator, $\pm 0.9 \mu\text{m}$	2001
4470115		Depth Stop, Mounting- $\varnothing d = 8 \text{ mm}$ , $A = 24 \text{ mm}$ , $h = 60 \text{ mm}$	844 Dt
4470120		Clampable angle stop for 844 Kst measuring stand	844 Ka
4470160		Ring gage sets, 0.5 / 0.55 / 0.6 / 0.7 / 0.8 / 0.9 mm	844 Ke
4470161		Ring gage sets, 1 / 1.1 / 1.2 / 1.3 / 1.4 mm	844 Ke
4470162		Ring gage sets, 1.75 / 2 / 2.25 / 2.5 / 2.75 / 3 / 3.25 / 3.5 / 3.75 / 4 mm	844 Ke
4470163		Ring gage sets, 4 / 4.5 / 5 / 5.5 / 6 / 6.5 / 7 mm	844 Ke
4470164		Ring gage sets, 7 / 7.5 / 8 / 8.5 / 9 / 9.5 / 10 mm	844 Ke
4470165		Ring gage sets, 10 / 11 / 12 / 13 / 14 / 15 / 16 / 17 / 18 mm	844 Ke
4470100		Measuring stand for quick measurements, Table diameter 58 mm, Max. object height approx. 100 mm	844 Kst
4470105		Floating holder for 844 Kst measuring stand	844 Ksts
4470070	M6 x 0,75	Extensions, $D = 8 \text{ mm}$ , $L = 64 \text{ mm}$	844 Kv
4470110	M6 x 0,75	Right Angle Attachment, $L = 26.5 \text{ mm}$ , $H = 22.5 \text{ mm}$	844 Kw



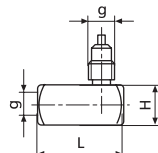
844 Dt



844 Ka



844 Kst



844 Kw / 844 Dw



1087 BRi



1087 BR



2001



1002



1003



1004

Willrich Precision  
Ph 866-945-5742  
sales@willrich.com