



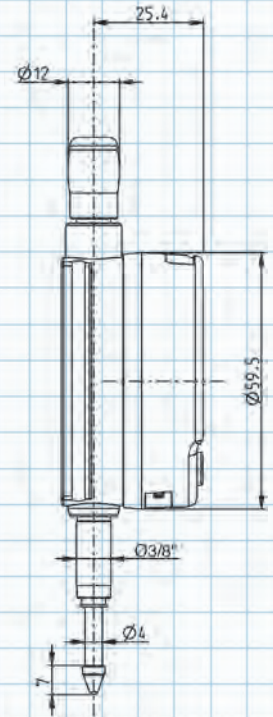
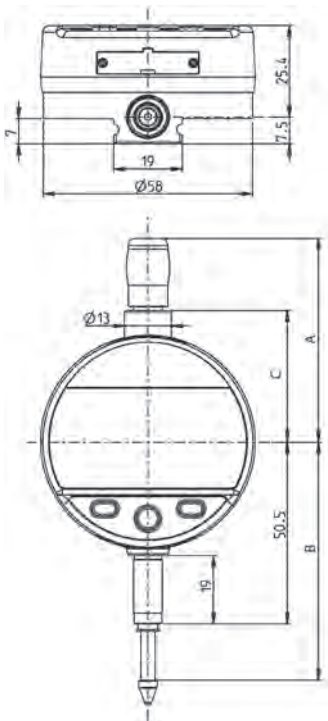
## Mark VI Electronic Indicators

### Features:

- Robust construction
- Water and coolant resistant
- Protection class IP-67
- Repeatability: 2µm
- Output: Proximity/Power - USB/RS232/digimatic/Wireless
- Battery life: 10,000 hours of operation
- Menu customizable with free software.
- Wide range of functions (MIN/MAX/DELTA, TOL, Factor, Preset, Auto Off, etc)
- Aluminum housing
- Bezel rotates 270°
- Large display with LED tolerance indicators.
- Includes lug back.



*This Button is programmable for common functions*



Part Number	Range	Maximum Error	Resolution
54-530-125	0-.500"/12.5mm	0.0004"/.01mm	.0005"/.01mm
54-530-135	0-.500"/12.5mm	0.00012"/.003mm	.00005"/.001mm
54-530-145	0-1"/25mm	0.0004"/.01mm	.0005"/.01mm
54-530-155	0-1"/25mm	0.00016"/.004mm	.00005"/.001mm
54-530-175	0-2"/50mm	0.00019"/.005mm	.00005"/.001mm
54-530-195	0-4"/100mm	0.00024"/.006mm	.00005"/.001mm
54-530-215	0-6"/150mm	0.0004"/.01mm	.00005"/.001mm
8mm Stem Models:			
54-530-136	0-.500"/12.5mm	0.00012"/.003mm	.00005"/.001mm
54-530-156	0-1"/25mm	0.00016"/.004mm	.00005"/.001mm
IP67 Models with Rubber Boot:			
54-530-137	0-.500"/12.5mm	0.00012"/.003mm	.00005"/.001mm
54-530-157	0-1"/25mm	0.00016"/.004mm	.00005"/.001mm
Mark VI Accessories:			
54-530-211	Standard Lug Back		
54-530-212	90° Lug Back		
54-115-526	Proximity USB Cable		
54-115-528	Power USB Cable		

**LIFETIME WARRANTY**



Swiss Quality!

