

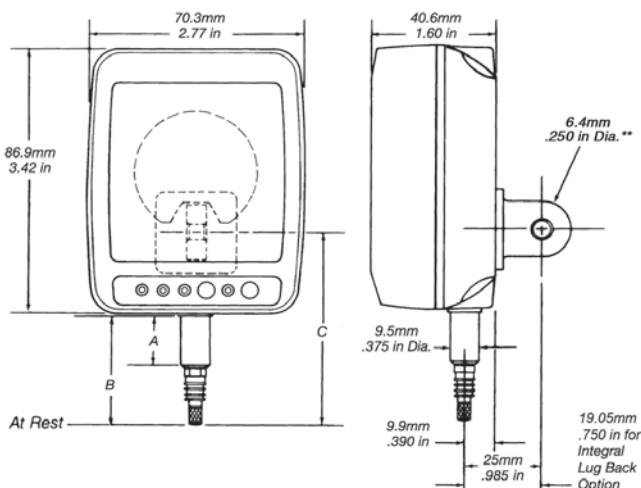
## Maxum® III Digital Comparator

### Features

- Features both digital display for accuracy and readability and unique fan analog display for trend and change
- User configurable in inch / metric units, normal / reverse sensing, resolution, analog scale, and tolerance setup & display
- Dynamic Capabilities: Min, Max, TIR, Hold, Reset
- Absolute Transducers - no overspeed errors. . . . no missed counts. . . . no missed readings
- Auto power down - provides extremely low battery consumption, assuring long life from readily available commercial batteries
- Data output - 3 formats - Maxum, serial, or digimatic
- Both integral and remote readout versions available
- Easily used on Snap Gages, Bore Gages, Comparator Stands, and Fixture Gages
- Special options available: setup mode or calibration lockout, remote external power, 4:5 ratio, 12 o'clock mounted integral transducer, integral vertical or horizontal lug back, 1.5, 2.0 or 3.0 inch stem length, and more. . . .
- IP54 protection
- Easy to select, order and operate!



### Technical Data



For short range indicators – Standard Stem Length  
 (± 1.0 mm / ± .040" range indicators)

A	B	C
17 mm / .670"	36 mm / 1.42"	63.5 mm / 2.50"

For long range indicators – Standard Stem Length  
 (± 1.99 mm / ± .100" range indicators)

22 mm / .87"	47 mm / 1.84"	73 mm / 2.87"
--------------	---------------	---------------

For both short and long range indicators –  
 Long Stem Lengths

38 mm / 1.5"	57 mm / 2.25"***	84.6 mm / 3.33"***
51 mm / 2"*	70 mm / 2.75"***	97.3 mm / 3.83"***
76 mm / 3"*	95 mm / 3.75"***	123 mm / 4.83"***

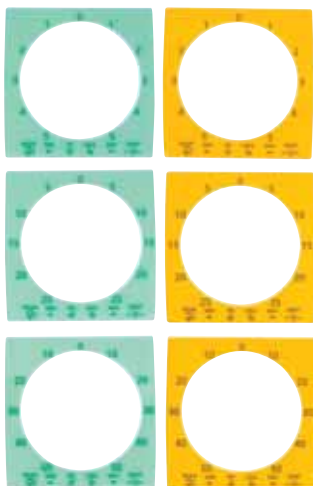
\* Special Order Lengths

\*\* Back supplied with remote indicating unit only

\*\*\* For long stem lengths add .220" to above lengths

Easily designed into your applications . . . full-size MaxumIII® Indicator and accessories, tracing templates or CAD files available on request.

## Technical Data



Description	Short Range	Long Range		
<b>Digital range</b>				
Standard	±1.00 mm/ ±.040"	±1.99 mm/ ±.100"		
Reduced	±0.199 mm/ ±.0199"	None		
<b>Digital resolution</b>				
Switchable	0.005 mm/ .0005" 0.001 mm/ .0001" 0.001 mm/ .00005" 0.0005 mm/ .00002"	0.005 mm/ .0005" 0.001 mm/ .0001"		
<b>Analog range</b>	5 or 25 or 50	25 or 50		
<b>Analog resolution</b>	0.01 mm/ .001"	0.01 mm/ .001"		
<b>Switchable</b>	0.005 mm/ .0005" 0.001 mm/ .0001"	0.005 mm/ .0005"		
<b>Total spindle travel</b>	3.04 mm/ .120"	6.35 mm/ .250"		
<b>Pre-Travel*</b>	0.3 mm/ .010"	1.06 mm/ .020"		
<b>Over-Travel*</b>	0.8 mm/ .030"	1.31 mm/ .030"		
<b>Accuracy</b>				
Standard range	0.5% of Total Range	0.35% of Total Range		
Reduced range	0.25% of Total Range	N/A		
<b>Repeatability</b>	±One Least Digit	±One Least Digit		
<b>Gaging force</b>	3 - 4 oz / 85 - 112 grams, preloaded			
<b>Operation temperature</b>	10° to 55°C / 50° to 130°F			
<b>Storage temperature</b>	-20° to 65°C / -4° to 149°F			
<b>IP Rating</b>	54			
<b>Weight</b>	approx. 385 g / 13.6 oz.			
<b>Battery life</b>	approx. 4000 hours			
<b>Power</b>	3.0 volt Lithium battery (type CR123A or equivalent) Mahr Federal Order Number: <b>2239138</b>			
<b>Contact point</b>	(Normally furnished – PT-223) for 0.375" dia. Stem, <b>0.250"</b> long, radiused tip, 4-48 thread; (EPT-1037-W1) for 8 mm dia. stem, 6 mm long, radiused tip, M2.5 thread.			
<b>Stem length</b> mm / inch	<b>Stem diameter</b>	<b>Data output</b>	<b>Order no. Short range</b>	<b>Order no. long range</b>
17 mm/ <b>0.670"</b>	<b>0.375"</b>	No Output	<b>2033101</b>	<b>2033102**</b>
38 mm/ <b>1.50"</b>	<b>0.375"</b>		<b>2033103</b>	<b>2033104</b>
17 mm/ <b>0.670"</b>	8 mm		<b>2033105</b>	<b>2033106**</b>
38 mm/ <b>1.50"</b>	8 mm		<b>2033107</b>	<b>2033108</b>
17 mm/ <b>0.670"</b>	<b>0.375"</b>	Digital Output 6 pin (D, E1)	<b>2033111</b>	<b>2033112**</b>
38 mm/ <b>1.50"</b>	<b>0.375"</b>		<b>2033113</b>	<b>2033114</b>
17 mm/ <b>0.670"</b>	8 mm		<b>2033115</b>	<b>2033116**</b>
38 mm/ <b>1.50"</b>	8 mm		<b>2033117</b>	<b>2033118</b>
17 mm/ <b>0.670"</b>	<b>0.375"</b>	Digital Output with Hold / Reset 10 pin (E2)	<b>2033121</b>	<b>2033122**</b>
38 mm/ <b>1.50"</b>	<b>0.375"</b>		<b>2033123</b>	<b>2033124</b>
17 mm/ <b>0.670"</b>	8 mm		<b>2033125</b>	<b>2033126**</b>
38 mm/ <b>1.50"</b>	8 mm		<b>2033127</b>	<b>2033128</b>

\* dependent on standard or reduced range selected. Standard range shown.

\*\* Long Range Indicator Stem Length is 0.870" / 22 mm