

32-1133 REV 1

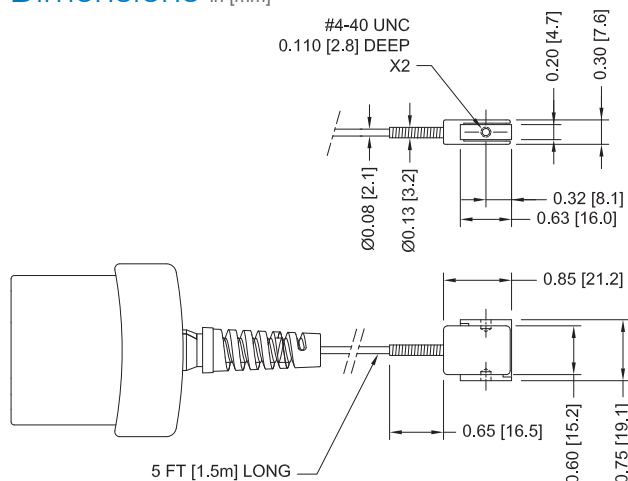


Series R04 smart sensors are designed for tension and compression measurement applications with tight space constraints. These extremely compact force sensors feature threaded holes on two sides, which can accept a variety of hooks and implements. Capacities available from 0.25 to 100 lbF [1 to 500 N]. Compatible with Mark-10 indicators (sold separately) through unique Plug & Test™ technology.

## Specifications

Accuracy:	±0.2% of full scale + indicator
Safe Overload:	200% of full scale
Weight:	0.015 lb [0.007 kg]

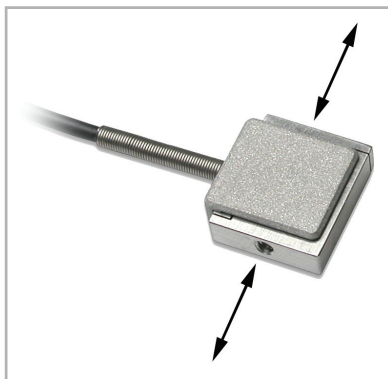
## Dimensions in [mm]



< Unique Plug & Test™ technology allows for interchangeable sensors to be used with a Mark-10 indicator. All calibration and configuration data is saved in the smart connector.



< The Plug & Test™ connector locks into the receptacle in the indicator when fully inserted. Dual buttons on the indicator housing release the connector for easy removal. Gold plated spring contacts ensure long lasting and reliable connection.



< Force is applied to these surfaces. Threaded holes are supplied on both sides to accommodate various mounting configurations and attachments.

## Capacity x Resolution

Model No.	With Models 7i & 5i indicators						With Model 3i indicator			
	lbF	ozF	gF	kgF	N	mN	lbF	gF	kgF	N
MR04-025	0.25 x 0.0001	4 x 0.002	100 x 0.05	-	1 x 0.0005	1000 x 0.5	0.25 x 0.0002	100 x 0.1	-	1 x 0.001
MR04-05	0.5 x 0.0002	8 x 0.005	250 x 0.1	-	2.5 x 0.001	2500 x 1	0.5 x 0.0005	250 x 0.2	-	2.5 x 0.002
MR04-2	2 x 0.001	32 x 0.02	1000 x 0.5	1 x 0.0005	10 x 0.005	-	2 x 0.002	-	1 x 0.001	10 x 0.01
MR04-5	5 x 0.002	80 x 0.05	1000 x 0.5	2.5 x 0.001	25 x 0.01	-	5 x 0.005	-	2.5 x 0.002	25 x 0.02
MR04-10	10 x 0.005	160 x 0.1	5000 x 2	5 x 0.002	50 x 0.02	-	10 x 0.01	-	5 x 0.005	50 x 0.05
MR04-20	20 x 0.01	320 x 0.2	10000 x 5	10 x 0.005	100 x 0.05	-	20 x 0.02	-	10 x 0.01	100 x 0.1
MR04-50	50 x 0.02	800 x 0.5	25000 x 10	25 x 0.01	250 x 0.1	-	50 x 0.05	-	25 x 0.02	250 x 0.2
MR04-100	100 x 0.05	1600 x 1	50000 x 20	50 x 0.02	500 x 0.2	-	100 x 0.1	-	50 x 0.05	500 x 0.5



Willrich Precision  
Ph 866-945-5742  
sales@willrich.com



Specifications subject to change without prior notice