

Depth Micrometer

SERIES 329, 129 — Interchangeable Rod Type

FEATURES

- $\varnothing 4$ mm interchangeable rods, with lapped measuring end, provide a wide measuring range.
- The rod length can be adjusted in 1" or 25mm increments.
- With ratchet stop for constant force.
- With measuring rod clamp.
- With SPC output (Series 329).
- Supplied in fitted plastic case.



SPECIFICATIONS

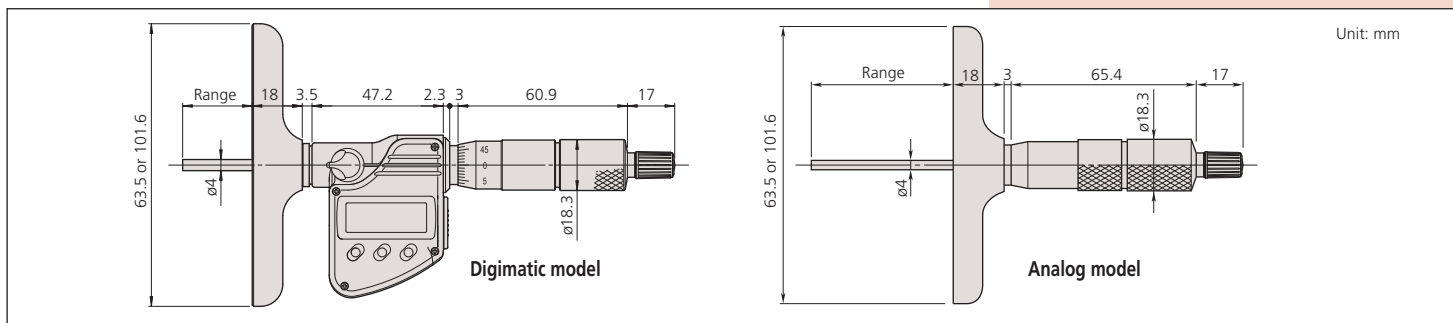
Metric Digimatic model			
Range	Order No.	Base Size	Rod Qty.
0 - 150mm	329-250-10	101.6x16mm	6 rods
0 - 300mm	329-251-10	101.6x16mm	12 rods

Metric			
Range	Order No.	Base Size	Rod Qty.
0 - 50mm	129-109	63.5x16mm	2 rods
0 - 100mm	129-111	63.5x16mm	4 rods
0 - 100mm	129-115	101.6x16mm	4 rods
0 - 150mm	129-112	63.5x16mm	6 rods
0 - 150mm	129-116	101.6x16mm	6 rods

Inch/Metric Digimatic model			
Range	Order No.	Base Size	Rod Qty.
0 - 6" / 0 - 152.4mm	329-350-10	4"x.63"	6 rods
0 - 12" / 0 - 304.8mm	329-351-10	4"x.63"	12 rods

Inch			
Range	Order No.	Base Size	Rod Qty.
0 - 4"	129-127	2.5"x.63"	4 rods
0 - 4"	129-131	4"x.63"	4 rods
0 - 6"	129-128	2.5"x.63"	6 rods
0 - 6"	129-132	4"x.63"	6 rods
0 - 12"	129-149	2.5"x.63"	12 rods
0 - 12"	129-150	4"x.63"	12 rods

DIMENSIONS



Technical Data

Accuracy: $\pm 0.0012'' / \pm 3\mu\text{m}$ for micrometer head feed
 $\pm [0.0008 + (.00004 \times R/3)]''$
 R = max. measuring length (inch)
 $\pm (2+L/75)\mu\text{m}$ for interchangeable rod,
 L = Max. measuring length (mm)

Resolution*: $.00005'' / 0.001\text{mm}$ or 0.001mm
 Graduation**: $.001''$ or 0.01mm
 Flatness of reference face: $.00005''$ for $2.5'' / 1.3\mu\text{m}$ for 63.5mm width base, $.00008''$ for $4'' / 2\mu\text{m}$ for 101.6mm width base
 Flatness of measuring rod face: $0.3\mu\text{m}$
 Parallelism between reference face and measuring rod face:
 $[.00016 + (.00004 \times R/2)]''$
 R = max. measuring range (inch)
 $(4+L/50)\mu\text{m}$, L = Max. measuring length (mm)

Measuring rod diameter: $.157'' / 4\text{mm}$
 Display*: LCD
 Battery*: SR44 (1 pc.), **938882**
 Battery life*: Approx. 3.5 years under normal use
 *Digital models **Analog models

Function of Digimatic Model

Origin-set, Zero-setting, Data hold, Data output, inch/mm conversion (on inch/metric models only)
 Alarm: Low voltage, Counting value composition error
 Function Lock
 2 Presets

Optional Accessories for Digimatic Model

- 05CZA662**: SPC cable with data switch (40" / 1m)
- 05CZA663**: SPC cable with data switch (80" / 2m)

