

ABSOLUTE IDF

FEATURES

Intuitive display

- Large LCD with backlighting
- Numerical/analog bar indication
- Changing of green/red backlight color for easy Go/NG reading



Green indication for GO judgment

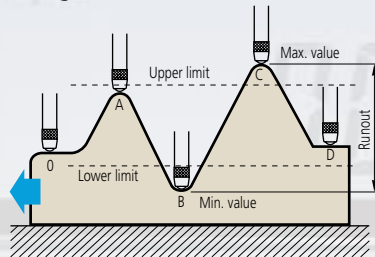


Red indication for ±NG judgment

- The resolution can be switched between .001"/.0005"/.0001"/.00005" (or 0.001mm/0.01mm).
- The display range of the analog bar can be changed.

Peak hold/runout measurement

- Displays the maximum or minimum value during measurement.
- Displays a runout (max. – min. value) during TIR measurement.



Backup memory

- Retains the setup conditions (peak hold, tolerance judgment) even if the power has been turned off. Measurement can be continued as soon as the power is turned back on.

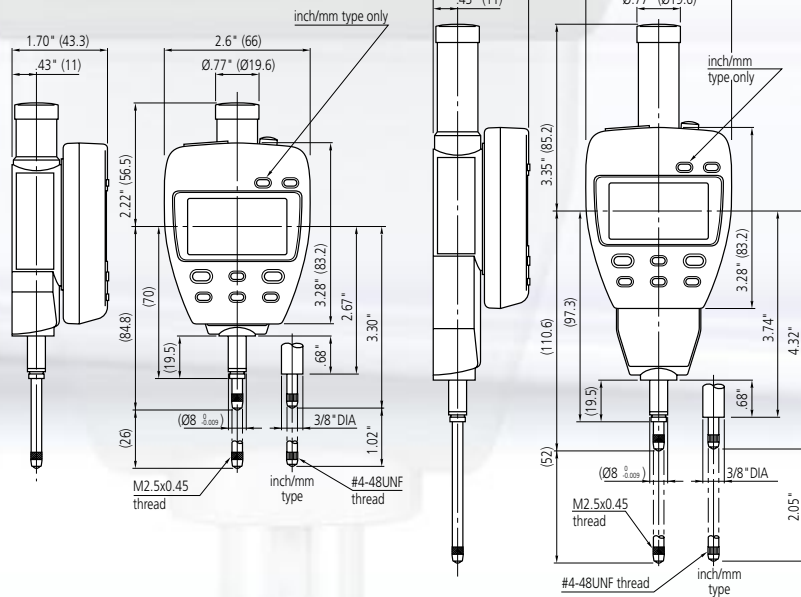
- Display: LCD
- Functions: Resolution switching, Origin-set (presetting), Power on/off, Zero-set, MAX/MIN value hold, Runout measurement, inch/mm conversion (inch/mm type), Counting direction switching, SPC data output, Function lock, Measurement condition memory
- Power supply: 9V DC (via AC adaptor), 500mA
- Stem diameter: 3/8" (inch/mm type) or 8mm (mm type)
- Contact point: Carbide ball (mm type) or steel ball (inch/mm type)
- Measuring force: 1.8N or less (1"/25.4mm range type) 2.3N or less (2"/50.8mm range type)
- Dust-water protection level: Conforming to IP30
- Alarm: Over flow error, Tolerance limit setting error, Scale contaminations
- Operating temperature: 0°F to 104°F (0°C to 40°C)
- Mass: .53 lbs./240g (1"/25.4mm range type) .73 lbs./330g (2"/50.8mm range type)



543-552A

1"/25.4mm range model

Dimension



Specifications (ISO/JIS type)

Order No.	Accuracy	Resolution	Range
543-551A	0.003mm	0.001mm	25.4mm
543-557A	0.003mm	0.001mm	50.8mm

Specifications (ANSI/ADG type)

Order No.	Accuracy	Resolution	Range
543-552A	.00012"	.00005"/0.001mm	1"/25.4mm
543-558A	.00012"	.00005"/0.001mm	2"/50.8mm