

Bollard Grips

The ranges of Bollard grips are suitable for a wide range of samples such as fibre, yarn, thread, rope, string, and strapping tape. The grips are designed so that the sample can be wrapped around the bollard and clamped at one end, this helps reduce the sample suffering a jaw break and spreads the load around the bollard by introducing friction to the sample. Ideally it should be used with an extensometer to calculate true strain in the sample. Pneumatic versions are available

The 01/4617 is designed for thin wires and is best used with the diamond faces

Temperature Range 0 °C to + 70 °C
(Plates with other dimensions available on request)

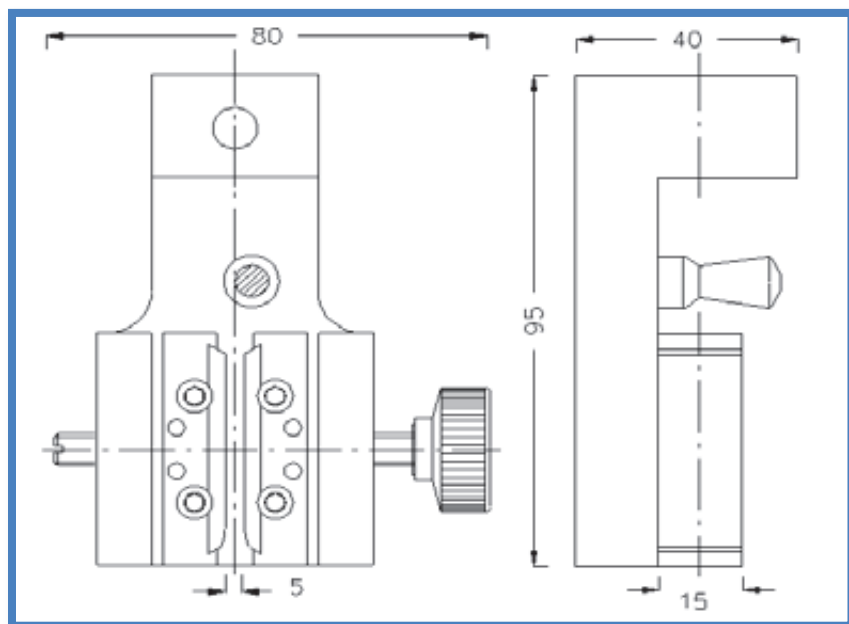
Part Number	Description	Max Sample Width	Sample Diameter	Opening	Rating	Fixing Type
01/4617	Screw action, with carriers but without jaws	15mm	5mm	0-5mm	2.5kN	5/8 inch
01/4618	15mm x 37mm diamond coated jaws	15mm	N/A	N/A	2.5kN	N/A
01/4619	15mm x 37mm plain jaw faces	15mm	N/A	N/A	2.5kN	N/A
01/4625	15mm x 25mm with crosscut faces	15mm	N/A	N/A	2.5kN	N/A



01/4617



01/4625



Bollard Grips

The ranges of Bollard grips are suitable for a wide range of samples such as fibre, yarn, thread, rope, string, and strapping tape. The grips are designed so that the sample can be wrapped around the bollard and clamped at one end, this helps reduce the sample suffering a jaw break and spreads the load around the bollard by introducing friction to the sample. Ideally it should be used with an extensometer to calculate true strain in the sample

Temperature Range 0 °C to + 70 °C
(Plates with other dimensions available on request)

Part Number	Description	Max Sample Width	Sample Diameter	Opening	Rating	Fixing Type
01/4620	Screw action with 20mm x 10mm rubber faces	7mm	2mm	0-2mm	1kN	5/8 inch
01/4621	Screw action with 20mm x 10mm diamond faces	7mm	2mm	0-2mm	1kN	5/8 inch
01/4622	Screw action with 30mm x 12mm crosscut faces	8mm	5mm	0-5mm	5kN	5/8 inch
01/4623	Screw action with 30mm x 12mm diamond faces	8mm	5mm	0-5mm	5kN	5/8 inch
01/4624	Screw action with 30mm x 15mm crosscut faces	9mm	9mm	0-9mm	20kN	5/8 inch
01/4625	Screw action with 30mm x 15mm crosscut faces	15mm	5mm	0-5mm	5kN	5/8 inch

Part Number	Bollard Diameter
01/4620	20mm
01/4621	20mm
01/4622	40mm
01/4623	40mm
01/4624	94mm
01/4625	26mm



01/4620



01/4622



01/4624



**WILLRICH PRECISION
INSTRUMENT**
THINK MEASUREMENT... THINK WILLRICH

Ph 866-945-5742 email:sales@willrich.com

Bollard Grips

The ranges of Bollard grips are suitable for a wide range of samples such as fibre, yarn, thread, rope, string, and strapping tape. The grips are designed so that the sample can be wrapped around the bollard and clamped at one end, this helps reduce the sample suffering a jaw break and spreads the load around the bollard by introducing friction to the sample. Ideally it should be used with a extensometer to calculate true strain in the sample

Suitable for heavy duty testing on ropes and ribbons

Temperature Range 0 °C to + 130 °C
(Plates with other dimensions available on request)

Part Number	Description	Max Sample Width	Sample Diameter	Bollard Diameter	Rating	Fixing Type
01/4626	Screw action 70mm x 30mm, crosscut faces	12mm	5-20mm	162mm	50kN	50mm
01/4627	Screw action 70mm x 30mm, crosscut faces	12mm	5-20mm	162mm	100kN	50mm
01/4628	Screw action 70mm x 30mm, crosscut faces	12mm	5-20mm	162mm	200kN	50mm



01/4626

