

Mechanical Dial Comparator Millimess 1002 Z / 1002 ZT / 1003 Z / 1003 ZT / 1004 Z / 1004 ZT / 1010 Z / 1010 ZT



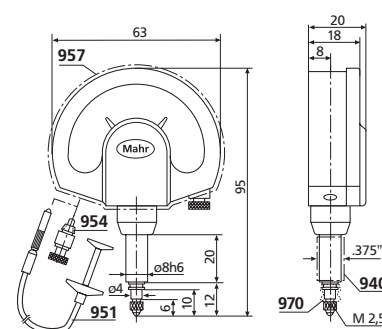
- Large, high contrast dial face
- Adjustable tolerance markers
- Lockable fine adjustment screw
- Shockproof movement
- Mounting shank and measuring spindle are both made of hardened stainless steel
- Insensitive to lateral forces (side play) acting on the measuring spindle
- Maximum sensitivity and accuracy are ensured by the jeweled movement and in conjunction with the precision gears and pinions
- Box type protective housing
- Constant measuring force
- Measuring spindle can be retracted with either a screw in cable release or with a lifting knob
- **Scope of delivery:** Case, Adapter bush 940, 8 mm to 3/8"



Technical Data

Order no.	4335900	4335905	4334900	4334905	4333900	4333905	4332900	4332905
Product type	1002 Z	1002 ZT	1003 Z	1003 ZT	1004 Z	1004 ZT	1010 Z	1010 ZT
Measuring range	inch $\pm .0010''$		inch $\pm .0020''$		inch $\pm .0050''$		inch $\pm .0100''$	
Graduation value	inch $.00002''$		inch $.00005''$		inch $.0001''$		inch $.0005''$	
Type of dial face	inch $.001''-0-.001''$		inch $.002''-0-.002''$		inch $.005''-0-.005''$		inch $.01''-0-.01''$	
Error limit G_e	inch $.00002''$		inch $.00005''$		inch $.0001''$		inch $.00035''$	
Error limit G_{ges}	inch $.00003''$		inch $.00006''$		inch $.00012''$		inch $.0004''$	
Error limit G_t	inch $.000014''$		inch $.000035''$		inch $.00005''$		inch $.00025''$	
Measuring value hysteresis f_u	inch $.00001''$		inch $.000025''$		inch $.00003''$		inch $.0001''$	
Repeatability f_w	inch $.00001''$		inch $.000025''$		inch $.00003''$		inch $.0001''$	
Standard	Factory standard							
Measuring force	N				1			
Scale diameter	mm				50			
Dial color	white							
IP protection category	IP 54		IP 54		IP 54		IP 54	

Order no.	Mounting shaft	Scale diameter
	mm	mm
4335900	8	50
4335905	8	50
4334900	8	50
4334905	8	50
4333900	8	50
4333905	8	50
4332900	8	50
4332905	8	50



Accessories

Order no.	Product name	Product type
4310103	Adapter bush (.375" / 8 mm)	940
4372000	Cable release (250 mm)	951
4372030	Lifting knob	954
4373030	Splash guard cover	957
4334786	Rubber bellows	970
4375002	Lug back to mount on mounting shank 8h6 mm	963

