



## Vertical Floor Standing Measuring Projector

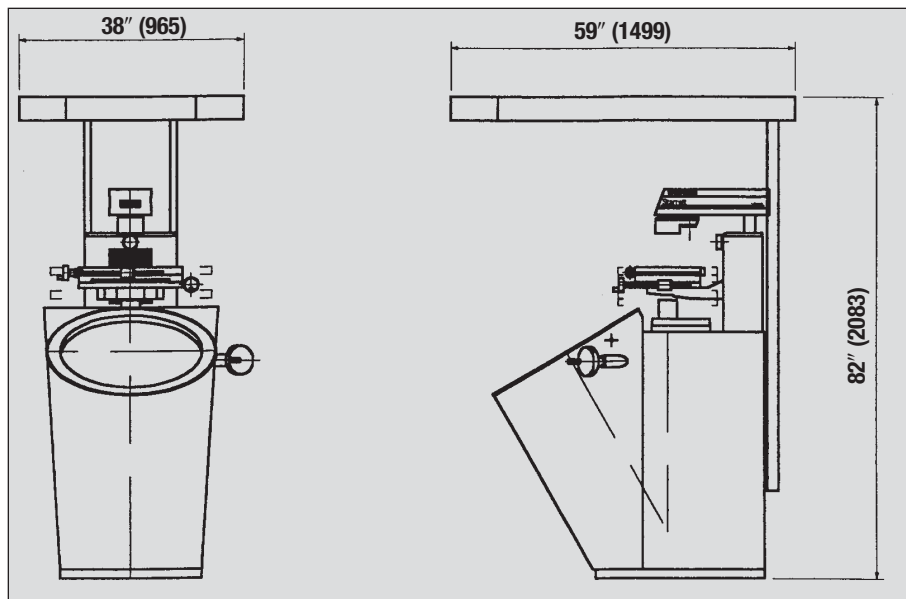
### No. VF600

24" (600mm) Screen Diameter

Especially suitable for larger components found in the electronics, pressings, and extrusion industries. The VF600 is ideal for use with overlays.

#### Features

- ◆ Screen is angled 30° from horizontal for clear, easy viewing
- ◆ Workstage plate is 16" x 9" (400 x 225 mm)
- ◆ Glass insert is 9-1/4" x 5-1/2" (235 x 140mm)
- ◆ Workstage travel is 8" x 4" (200 x 100mm)
- ◆ Accommodates components up to 66 lbs. (30kg)
- ◆ 360° angular measurement to 1 minute of arc with electronic protractor
- ◆ Helix angle: ±10° lamphouse adjustment
- ◆ Front working distances:
  - 5x - 8.6" (220mm),
  - 10x - 5.4" (138mm),
  - 20x - 5" (127mm),
  - 25x - 4.1" (103mm),
  - 50x - 3.5" (88mm),
  - 100x - 1.7" (44mm)
- ◆ Profile illumination – High-power, fan-cooled, tungsten halogen 150W lamp with yellow/green filter
- ◆ Surface illumination – Fan-cooled 150W lamp/fiber-optic system
- ◆ Hood and curtains
- ◆ Workstage travel available as manual, motorized or CNC option
- ◆ Projection lens choices 10x, 20x, 25x, 31.25x, 50x, 100x or a 3-lens turret (5x fixed lens on special order)



Willrich Precision  
Ph 866-945-5742  
email: [sales@willrich.com](mailto:sales@willrich.com)

For readout choices, refer to pages at the end of this section.