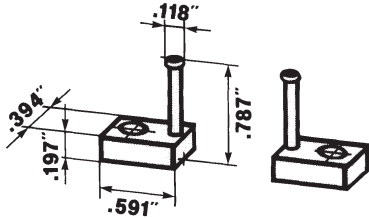
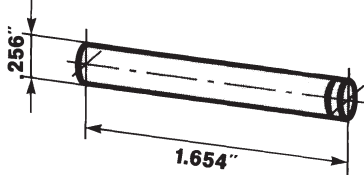
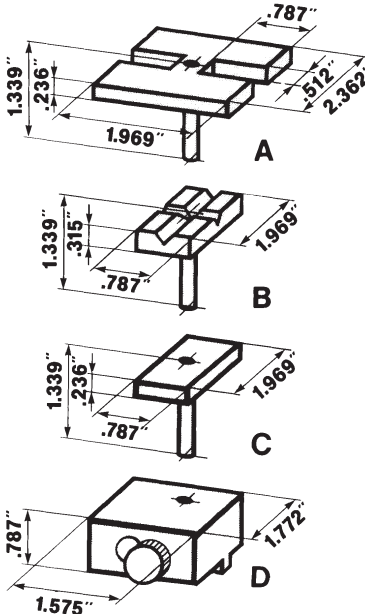
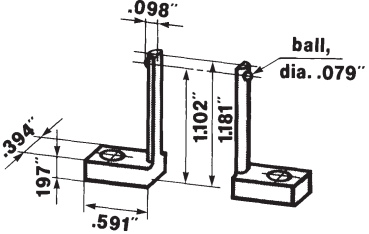
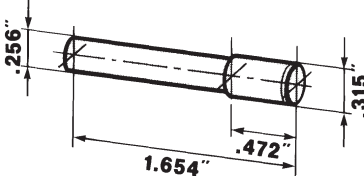
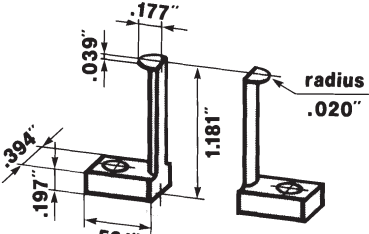
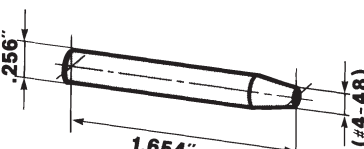
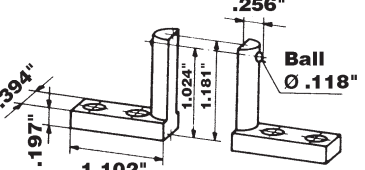
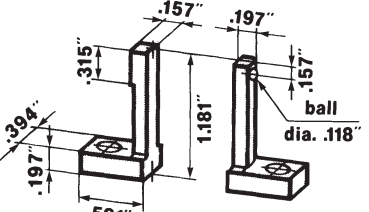
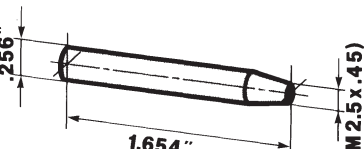


## TELS Mini-Horizontal Accessories

Internal Probes.	External Probes.	Supports & Tables.
 <p>▲53-190-020 Internal Probe Set (2 pc.) Standard, general purpose probes, included w/system.</p>	 <p>▲53-190-019 .256" diam. External Probe Set (2 pc.). Included with system. Carbide Tipped.</p>	 <p>▲ External Support System:</p> <p>A. #53-190-025 Adjustable Support with clearance.</p> <p>B. #53-190-026. Adjustable Support with crossed vee-grooves at 90° angles.</p> <p>C. #53-190-027. Adjustable Support Plate, plain.</p> <p>D. #53-190-028. Locking base w/vert. adjustment for #A, B &amp; C. (Required in order to use #A, B &amp; C).</p>
 <p>▲53-190-029 Internal Ball style Probe Set (2 pc.). Features .079" diam. ball on each probe.</p>	 <p>▲53-190-033 .315" Large Diameter External Probe Set. (2 pc.). Large surface, Carbide Tip.</p>	
 <p>▲53-190-030 Internal Groove style Probe Set. (2 pc.). Features thin, half-round discs on ea. end.</p>	 <p>▲53-190-034 #4-48 threaded external contact point holder (Ea.). Accepts any shape point.</p>	 <p>▲ No. 53-190-036 Large ball probe. One set of reinforced measuring inserts with ball contact for internal measurements.</p>
 <p>▲53-190-031 Internal combination Ball &amp; Flat Probe Set (2 pc.). Has one side ball, one side flat.</p>	 <p>▲53-190-032 M2.5 x .45 thread external contact point holder (Ea.). Accepts any shape point.</p>	

Special anvils are available, contact our technical department.

Specifications subject to change without notice.