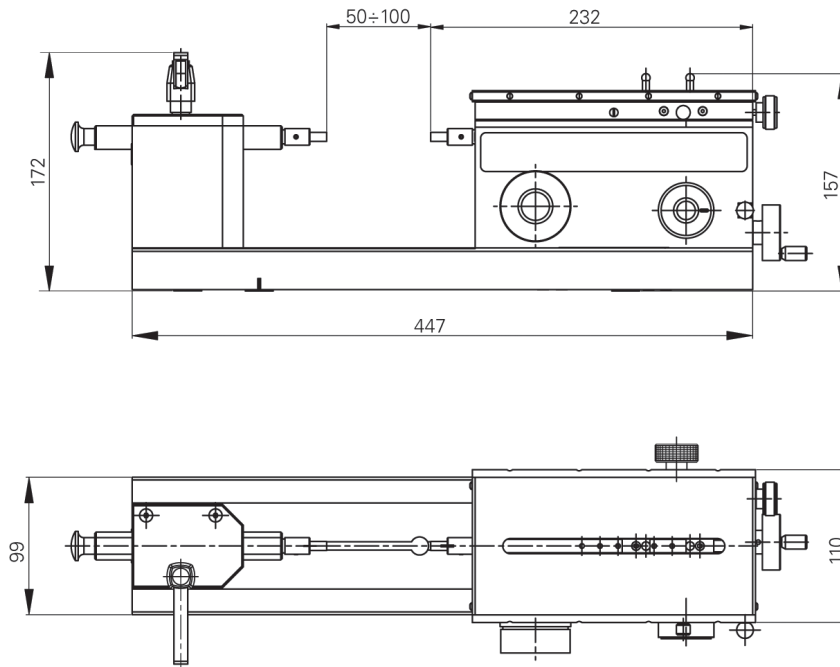


THV Horizontal/Vertical



0-2" travel
4" application range
Calibrate pins, threaded
plugs, plain rings and
indicators

Part Number	Description
-------------	-------------

54-198-001-0	Standard table (included with 54-198-508)
54-198-010-0	Set of internal probes from .4"/10mm up for standard table (included with 54-198-508)
54-198-012-0	Set of 6mm Ø x 34mm internal ball probes from .51"/13mm up for standard table
54-198-020-0	Set of internal probes from .4"/10mm up for floating table (included w/54-198-558)
54-198-022-0	Set of 6mm Ø x 41mm internal ball probes from .51"/13mm up for floating table
54-198-100-0	Block support for 54-198-101 and 54-198-150
54-198-101-0	H-plate with clearance
54-198-150-0	Test indicator holding device
54-198-160-0	Block support for 54-197-106
54-198-170-0	Support device with V for external diameters
54-198-180-0	Micrometer spindle for testing dial and test indicators
54-198-190-0	Indexable lever handle for spindle displacement
54-198-181-0	8mm clamp for holding dial indicators
54-198-182-0	3/8" clamp for holding dial indicators
54-198-250-0	ID floating table (included with 54-198-558)
54-198-260-0	Reverse attachment—European
54-198-261-0	Reverse attachment—American
54-198-300-0	Pneumatic thread device, Allows up to 40 ounces of pressure.
53-190-019-0	Standard .256"/6.5mm diameter external probes included with all units
53-190-032-0	External probe with M2.5 x .45 thread
53-190-033-0	.315"/8mm diameter external probes
53-190-034-0	External probes with 4.48 thread
53-190-037-0	.078"/2mm diameter external probes
54-197-007-0	Thread wires and holders
54-197-503-0	Support for display
54-198-175-0	Support pin .12"/3mm diameter for No. 54-198-170
54-198-176-0	Support pin .24"/6mm diameter for No. 54-198-170
54-198-015-0	Inserts for internal measuring from .197"/5mm up for table No. 54-198-001
54-198-025-0	Inserts for internal measuring from .197"/5mm up for table No. 54-198-250
54-800-800-0	Custom fitted travel case