



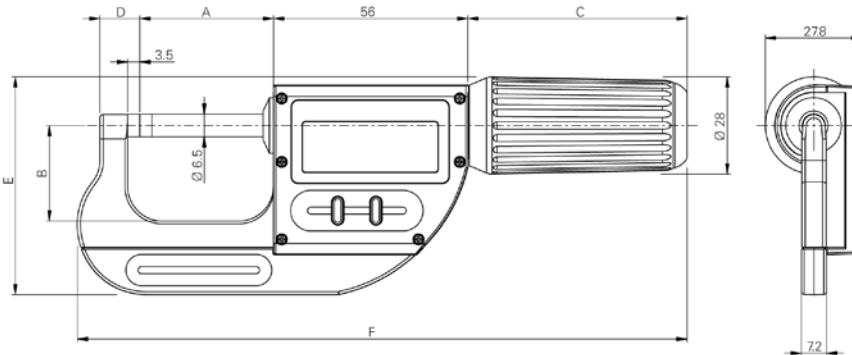
Rapid-Mic Electronic Micrometer



- Auto On/Off
- Position recall
- IP67 with or without data cable.
- Delrin quick displacement thimble
- Adjustable measuring force, 5N/10N
- Non-rotating spindle
- USB output
- Carbide anvils
- Extended Range 0-30mm, 30-66mm and 66-102mm
- Blade anvils available, Contact Fowler Technical Department.



Rapid spindle Movement
Extended range



***Speciality Micrometers available,
Contact the Fowler Technical Department.**

Part Number	Range	Max Error
54-815-030	0-1.18"/0-30mm	.00012"/.003mm
54-815-060	1.18"-2.6"/30-60mm	.00016"/.004mm
54-815-100	2.6"-4.0"/66-102mm	.00020"/.005mm
Set		
54-815-111	0-120mm RAPID Mic Set	
Accessories		
54-815-222	Stand	

