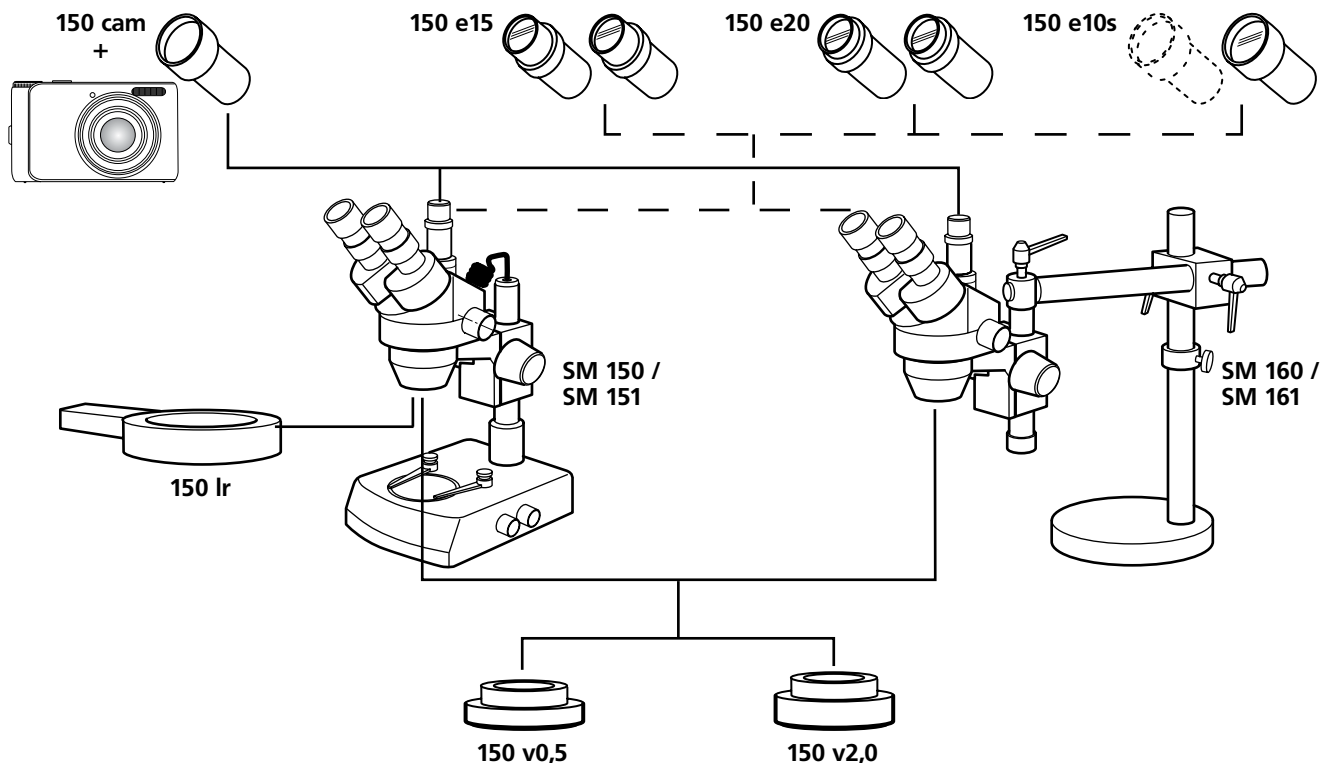


Accessories for MarVision SM 151 / SM 161



Illumination

		Order no.
LED ring light, adjustable D= 75 mm, incl. mains adaptor	150 lr	4245030
Cold light source luminance / brightness 8 mlx, Output 30 W, Power input 50VA / 240V	200 fs*	4245043
Flexible fiber optic light guide 2-Arm, L=500 mm, D=4 mm	200 fl*	4245042

Eyepieces / Ocular

	Reticule (plate)	Quantity		Order no.
Magnification 15x		2	150 e15	4245010
Magnification 20x		2	150 e20	4245011
Magnification 10x	●	1	150 e10s	4245012

Ancilliary Lenses

		Order no.
Magnification 0.5x	150 v0,5	4245020
Magnification 2.0x	150 v2,0	4245021

Camera

		Order no.
CamSet incl. digital camera and adaptor	150 cam*	4245026

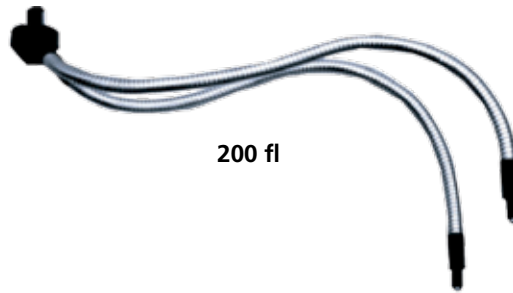
* See page 8

** Only for SM 151 and SM 161

Cold Light Sources for MarVision Measuring Microscopes



200 fs



200 fl

Features

Cold light source 200 fs

- Extremely bright
- With 30% more light efficiency due to electronic control setting
- Offers colder color temperature for the measurement of colored surfaces
- Even illumination due to the patented light distribution

Technical Data

	Catalog no.	For Microscope				Order no.
		SM 150 / 160	MM 200	MM 220	MM 320	
Cold light source Luminance / brightness 8 mlx Output 30 W Power input 50VA / 240V	200 fs	●	●	●	●	4245043
Flexible fiber optic light guide 2-Arm, L=500 mm, D=4 mm	200 fl	●	●	●	●	4245042

Clamping Elements



220 p



220 sp



220 as 90

Features

- For clamping, centering work-pieces

Technical Data

		Order no.
Pair of V-blocks 200x100 with clamping bracket	220 p	4246801
Pair of V-blocks 250x170 with clamping bracket	220 p	4246831
Pair of V-blocks 400x250 with clamping bracket	220 p	4246832
Pair of center supports 200x100 with moveable chucks	220 sp	4246802
Pair of center supports 250x170 with moveable chucks	220 sp	4246833
Pair of center supports 400x250 with moveable chucks	220 sp	4246834
Center support rotary 200x100, H=50 mm, distance between centers 130 mm	220 sps	4246806
Center support rotary 250x170, H=50 mm, distance between centers 130 mm	220 sps	4246807
Center support rotary 400x250, H=50 mm, distance between centers 130 mm	220 sps	4246808
Stop bar 90° with object clamps	220 as 90	4246821

Mini Precision Vise MarTool 109 PS in set

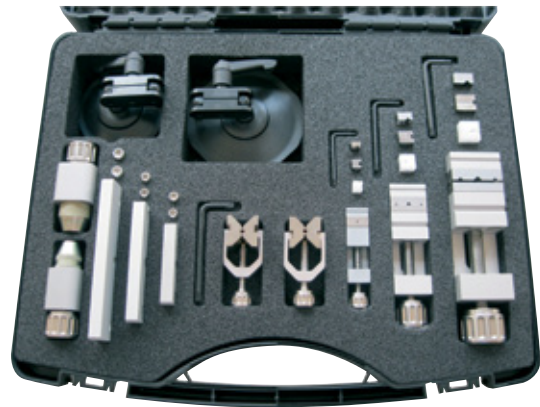


Features

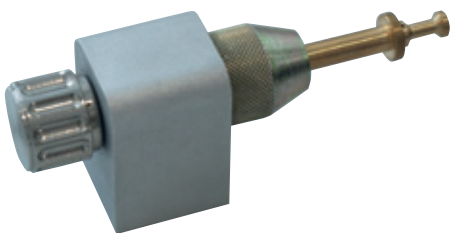
- With mini precision vises. Depending upon set are clamping prisms, support plates., stands and mini dividing attachments. Supplied in a plastic case

Technical Data

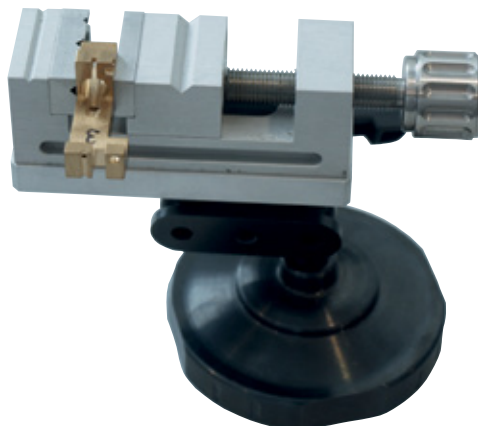
Case set	Order no.
Width of jaws 15 / 25	4246816
Width of jaws 25 / 35	4246817
Width of jaws 15 / 25 / 35 incl. stand, clamping prism	4246818
Width of jaws 15 / 25 / 35 additional mini dividing attachments	4246819



Applications



Mini rotary table, available in 2 sizes



Precision vise with stand, available in 3 sizes



Prism with clamping bracket