

**Technical Data**

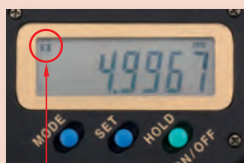
Flatness: 0.3µm/0.00012"  
 Parallelism: 0.6µm/0.00024  
 Measuring force: 7 to 9N  
 Power supply: Lithium battery (CR2032) x 1  
 Battery life: Approx. two years when used under normal conditions

**Functions**

Preset (ABS measurement system)  
 Zero-setting (INC measurement system)  
 Hold, Resolution switching, Function lock, On/off, Auto power off, Measurement data output, Error alarm

**Optional Accessories**

**05CZA662:** SPC cable with data switch (1m/40")  
**05CZA663:** SPC cable with data switch (2m/80")



Function lock

Heat shield



# MDH Micrometer

## SERIES 293 — High-Accuracy Sub-Micron Digimatic Micrometer

**FEATURES**

- Enabling .000005"/0.1µm resolution measurement, this micrometer is ideal for customers who need to make highly accurate measurements with a hand-held tool.
- A highly rigid frame and high-performance constant-force mechanism\* enable more stable measurement, while the clicks emitted while the workpiece is being measured assure the operator that measurement is proceeding normally.
- Body heat transferred to the instrument is reduced by a (removable) heat shield, minimizing the error caused by thermal expansion of the frame when performing handheld measurements.
- The ABS (absolute) rotary sensor also eliminates the need to perform origin setting each time the power is turned on, letting you start measuring straight away. With no possibility of overspeed errors, the High-Accuracy Digimatic Micrometer also delivers a higher level of reliability.

\* Patent pending in Japan, the United States of America, the European Union, and China.



293-130

**SPECIFICATIONS**

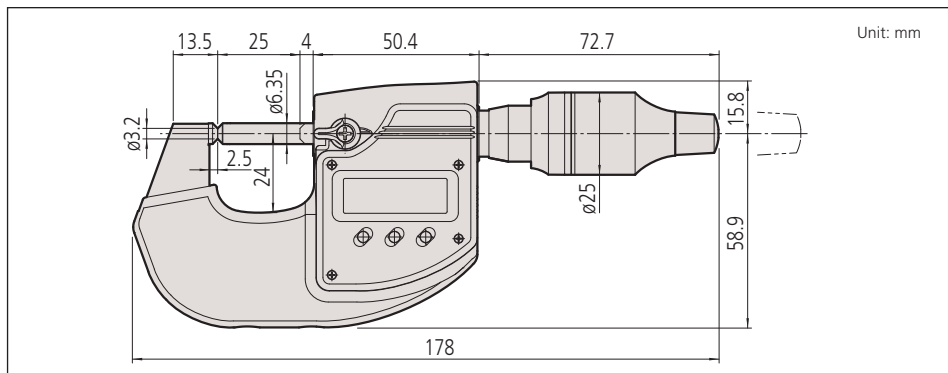
**Metric**

Order No.	Range	Resolution	Accuracy	Measuring surface	Mass
293-100	0 - 25mm	0.0001mm/ 0.0005mm (switchable)	±0.5µm	ø3.2mm	400g (440g w/Heat shield)

**Inch/Metric**

Order No.	Range	Resolution	Accuracy	Measuring surface	Mass
293-130	0 - 1" / 0 - 25.4mm	.000005"/.00002" / 0.0001mm/0.0005mm (switchable)	±.00002"	ø3.2mm	400g (440g w/Heat shield)

**DIMENSIONS**



Unit: mm