



Willrich Precision
Ph 866-945-5742
email: sales@willrich.com

Magnetic Precision Spirit Levels

WYLER Universal Spirit Levels feature an insulated handle. Main vial unit observed from above and from either side. The vial unit is set into a steel tube in a stress free location, and can be adjusted in the body of the Spirit Level by a fine thread and screw system. Hand scraped by Swiss craftsmen. Includes fitted case.



Overall Dimensions
6" x 1-9/16" x 6"
(150mm x 40mm x 150mm)

WYLER Magnetic Precision Spirit Level checks and levels cylinders, horizontal and vertical surfaces. Constructed with two prismatic measuring surfaces. Sensitivity .0002" per 10". Magnets to ensure complete adherence to vertical surfaces of parts and vertical arbors or shafts. Operators on milling and boring units, inspectors and fitters work with free hands.

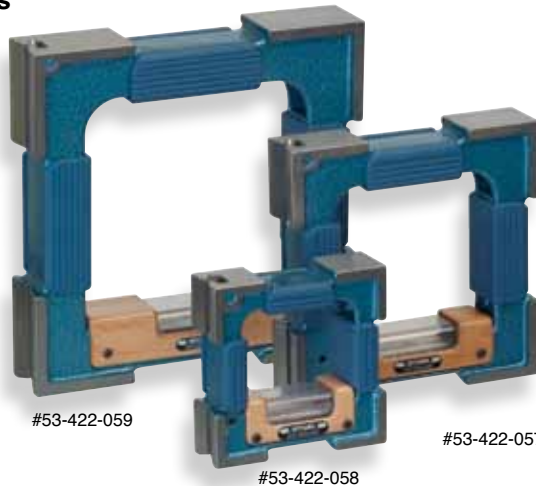
Magnetic inserts available for most spirit levels on request. Contact our Technical Dept. for price & availability.

Part Number	Inch	Metric	Sensitivity		Overall Dimensions
			Angular		
53-422-048	.0002"/10"	.02mm/m	4 sec.		6" x 1-9/16" x 6" (150mm x 40mm x 150mm)

Spirit Levels

Precision Frame Spirit Levels

Levels are used for adjusting and checking horizontal and vertical surfaces and shafts. Sensitivity .0005" per 10". The level features two prismatic sides and also comes equipped with insulating handles.



- Ultra high quality
- Hand scraped by Swiss craftsmen.
- A clear view of the main vial can be observed not only from above, but also from both sides. This full view allows position of the bubble to be read easily.
- Includes fitted case.

Part Number	Inch	Metric	Sensitivity		Overall Dimensions
			Angular		
53-422-057	.0005"/10"	.05mm/m	10 sec.		6" x 1-3/8" x 6" (150mm x 35mm x 150mm)
53-422-058	.0005"/10"	.05mm/m	10 sec.		4" x 1-3/8" x 4" (100mm x 35mm x 100mm)
53-422-059	.0005"/10"	.05mm/m	10 sec.		7-7/8" x 1-9/16" x 7-7/8" (200mm x 40mm x 200mm)



Other styles, sizes and sensitivities are available upon request.