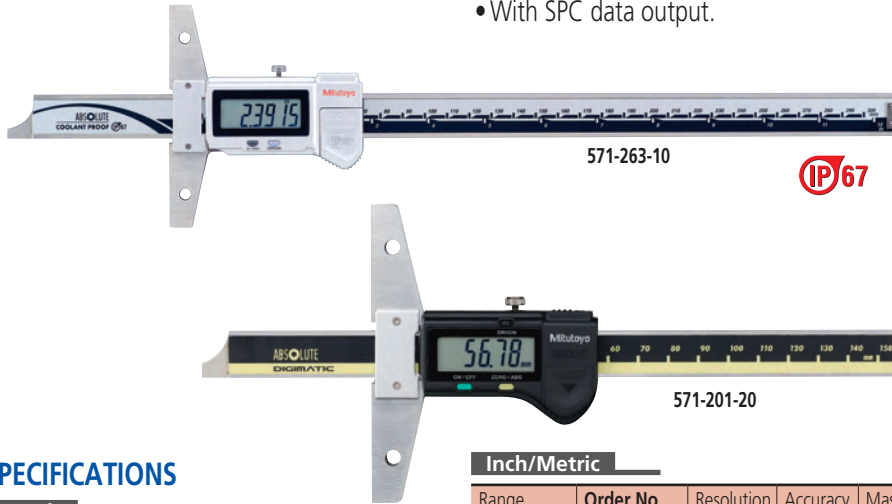


# ABSOLUTE Digimatic Depth Gage

## SERIES 571

### FEATURES

- ABSOLUTE Digimatic Depth Gage can keep track of the origin point once set for the entire life of the battery.
- Base and measuring faces are hardened and micro-lapped.
- Optional wider extension base are available. (up to 450mm range models)
- With SPC data output.



### SPECIFICATIONS

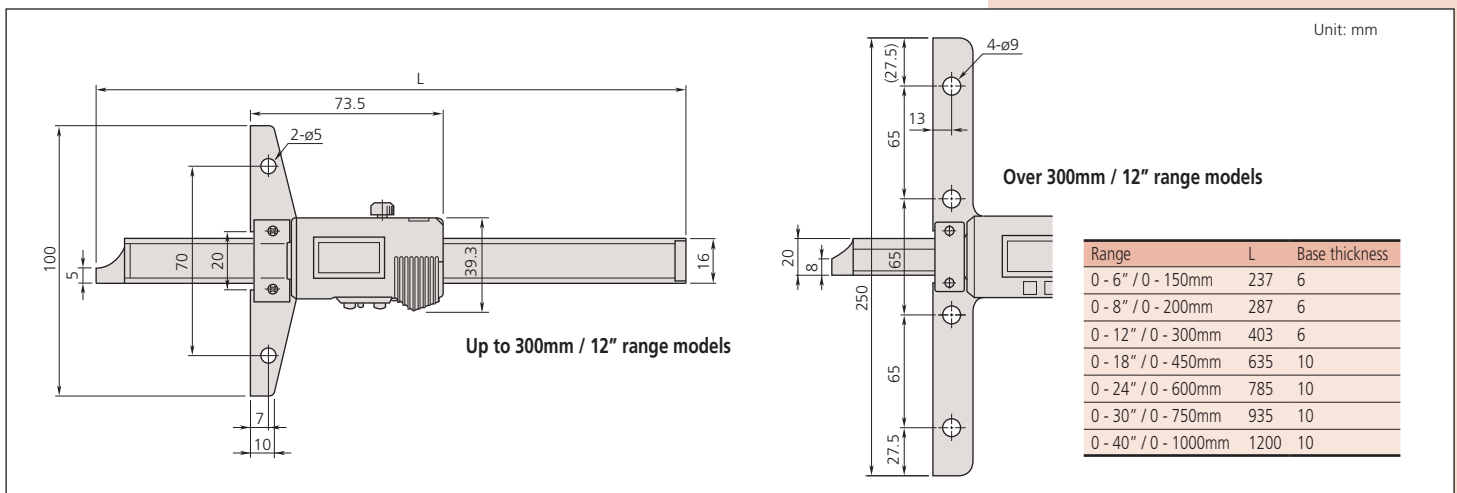
Metric				
Range	Order No.	Resolution	Accuracy	Mass(g)
0 - 150mm	571-201-20	0.01mm	±0.02mm	192
0 - 150mm	571-251-10*	0.01mm	±0.02mm	199
0 - 200mm	571-202-20	0.01mm	±0.02mm	212
0 - 200mm	571-252-10*	0.01mm	±0.02mm	219
0 - 300mm	571-203-20	0.01mm	±0.03mm	310
0 - 300mm	571-253-10*	0.01mm	±0.03mm	320
0 - 450mm	571-204-10	0.01mm	±0.05mm	1270
0 - 600mm	571-205-10	0.01mm	±0.05mm	1400
0 - 750mm	571-206-10	0.01mm	±0.06mm	1530
0 - 1000mm	571-207-10	0.01mm	±0.07mm	1760

\*IP67 Coolant Proof model

Inch/Metric				
Range	Order No.	Resolution	Accuracy	Mass(g)
0 - 6" / 0 - 150mm	571-211-20	.0005" / 0.01mm	±.001"	192
0 - 6" / 0 - 150mm	571-261-10*	.0005" / 0.01mm	±.001"	199
0 - 8" / 0 - 200mm	571-212-20	.0005" / 0.01mm	±.001"	212
0 - 8" / 0 - 200mm	571-262-10*	.0005" / 0.01mm	±.001"	219
0 - 12" / 0 - 300mm	571-213-10	.0005" / 0.01mm	±.0015"	310
0 - 12" / 0 - 300mm	571-263-10*	.0005" / 0.01mm	±.0015"	320
0 - 18" / 0 - 450mm	571-214-10	.0005" / 0.01mm	±.002"	1270
0 - 24" / 0 - 600mm	571-215-10	.0005" / 0.01mm	±.002"	1400
0 - 30" / 0 - 750mm	571-216-10	.0005" / 0.01mm	±.0025"	1530
0 - 40" / 0 - 1000mm	571-217-10	.0005" / 0.01mm	±.0025"	1760

\*IP67 Coolant Proof model

### DIMENSIONS



### Technical Data

Resolution: .0005" / 0.01mm or 0.01mm  
 Repeatability: 0.01mm  
 Display: LCD  
 Length standard: ABSOLUTE electrostatic capacitance (electromagnetic induction)\* type linear encoder  
 Max. response speed: Unlimited  
 Battery: SR44 (1 pc.), **938882**  
 Battery life: Approx. 20,000 hours (3 years)\* under normal use  
 Dust/Water protection level: IP67\*  
 \*Coolant Proof models

### Function

Origin-set, Zero-setting, Automatic power on/off, Data output, inch/mm conversion (on inch/metric models only)  
 Alarm: Low voltage, Counting value SPC composition error

### Optional Accessories

- 959143:** Data hold unit
- 959149:** SPC cable with data switch (40" / 1m)
- 959150:** SPC cable with data switch (80" / 2m)
- 05CZA624:** SPC cable with data switch (40" / 1m)\*
- 05CZA625:** SPC cable with data switch (80" / 2m)\*
- \_\_\_\_\_ Extension base (see page D-53.)

\*For IP67 models



Measurement data output function is available with a water-resistant SPC cable.