



NEW Product

NEWS

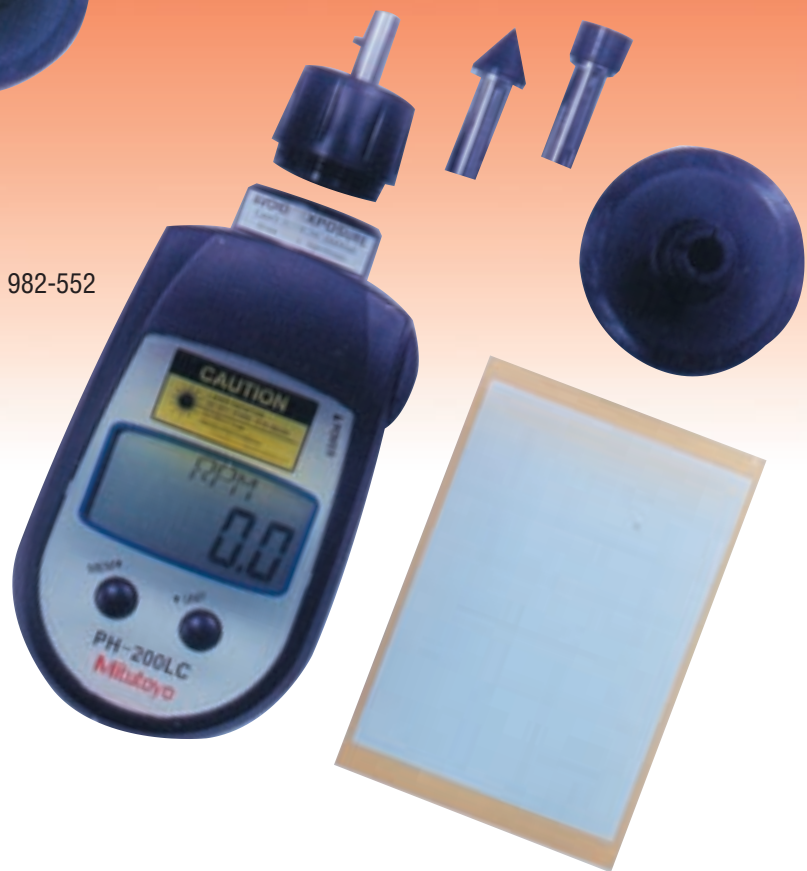
Bulletin No. 1444-982

Digital Tachometer



982-551

982-552



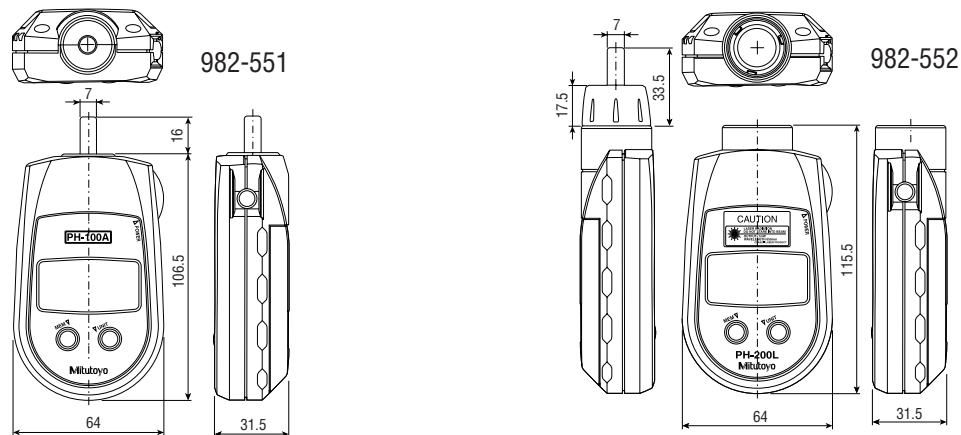
Features:

- New Digital Hand Tachometers are compact and easy to handle.
- NIST Certification is supplied with each Digital Hand Tachometer.
- Model PH-200LC (982-552) has Laser Diode Detection and a combination of Contact and Non-Contacts measurement.
- Supplied with plastic carrying case.

NEW Product News

Specifications

Code No.	982-551	982-552
Model No.	PH-100A	PH-200LC
Revolutions per Minute	1.0 - 25,000 rpm	
Rotation Speed		Non-contact: 6.0 - 99,999 rpm; Contact: 6.0 - 25,000 rpm
Surface Speed (Using 6" Wheel)	0.1 - 3,809.8 m/min; 4,166.4 yards/min 3 - 99,999 inch/min; 0.2 - 12,499 feet/min	1.0 - 3,809.8 m/min; 1.0 - 4,166.4 yards/min 36 - 99,999 inch/min; 3.0 - 12,499 ft/min
Length (Using 6" Wheel)	0.01 - 99,999m; 0.01 - 99,999 yds 0.1 - 99,999 ft; 1 - 99,999 inches	0.2 - 99,999m; 0.2 - 99,999 yds; 0.5 - 99,999 ft
Total number of revolutions	0.1 - 99,999	1 - 99,999
Measuring Accuracy Revolution	1.0 - 599.5 rpm: ± 1 rpm, 600.0 - 25,000 rpm: $\pm 0.006\%$ and ± 0.5 digit Surface, Speed, Length	6.0 - 599.9 rpm: ± 1 rpm, 600.0 - 99,999 rpm $\pm 0.006\%$ and ± 0.5 digit $\pm 0.4\%$ and ± 1 digit
Display Size	5 digit 0.47" (12mm) height LCD	
Memory Function	14 readings are stored in memory and retained for 5 minutes (Last, Max, Min, Average and 10 selectable measurements)	
Update Time	1 second	
Detection	Optical coupler, 20 pulses per revolution	Laser diode
Auto Power Off Function	5 minutes	
Batteries	3 AA 1.5 Volts	
Low Battery Indicator	Flashing "LO BAT" display	
Over Range Indicator	Flashing "OVR" display	
Operating Temperature	32 - 113° F (0-45° C)	
Construction	ABS resin	
Outside Dimensions	4.83" L x 2.52" W x 1.24" H (122.5mm x 64mm x 31.5mm)	4.55" L x 2.52" W x 1.24" H (115.5mm x 64mm x 31.5mm) Overall length with contact adapter: 149mm
Weight	0.37 lb with batteries (170 g)	Main unit: 0.35 lb with batteries (160 g), contact adapter: 0.11 lb (50 g)
Accessories	Carrying Case, Cone Adapter, Funnel Adapter, Master Wheel (6" cir.), NIST Certificate, Operation Instructions, 35 Reflective Tabs (PH200-LC only)	



Distributed By:

Willrich Precision
866-945-5742
sales@willrich.com

Mitutoyo
www.mitutoyo.com

Mitutoyo America Corporation