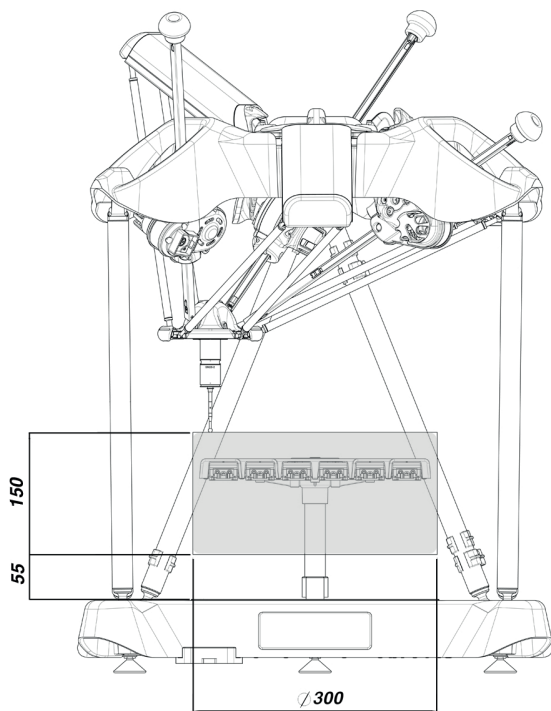


# Equator 300 and Equator 300 extended height - working volumes

## Equator 300 (EQ33)

Working volume	XY Ø300 mm, Z 150 mm
Height of working volume above plate	55 mm
Machine weight	25 kg
Dimensions (WxDxH)	570 mm x 500 mm x 700 mm



## Equator 300 extended height (EH33)

Working volume	XY Ø300 mm, Z 150 mm
Height of working volume above plate	205 mm
Machine weight	27 kg
Dimensions (WxDxH)	570 mm x 500 mm x 850 mm

