

Willrich Precision Ph 866-945-5742 email: sales@willrich.com

Indicating Snap Gages 840 F / 840 FC MaraMeter F



Features

- For cylindrical parts such as shafts, bolts and spindles, for thickness and length measurements
- Rugged, forged steel frame with heat insulators
- Measuring spindle is mounted in long guide way with lever-controlled retraction
- Anvil spindle can easily be fine adjusted
- Measuring spindle and anvil spindle are both made of hardened stainless steel, carbide-tipped or ceramic (840 FC) measuring faces
- Adjustable center stop for automatic alignment
- Maximum wear resistance due to non-contact positioning in conjunction with carbide-tipped measuring faces
- Constant measuring force as a result of built-in spring, thus eliminating user influence
- Universally applicable and extremely versatile. Each instrument spans a broad measuring range, within this range any dimension and fit can be very quickly and easily adjusted
- Supplied with: Wooden case, steel flat contact points 903

Technical Data

	Measuring range		Repeatability f_w μm	Distance of moveable anvil mm	Measuring force** N	Measuring face		Order no.*
	mm	(inch)				Flatness μm	Parallelism μm	
840 F	0 - 25	(0 - 1")	≤ 0.5	2	7.5	≤ 0.2	≤ 1	4450000
	25 - 60	(1 - 2.36")	≤ 0.5	2	7.5	≤ 0.2	≤ 2	4450001
	50 - 100	(2 - 4")	≤ 1	2.5	7.5	≤ 0.2	≤ 2	4450002
	100 - 150	(4 - 6")	≤ 1	2.5	7.5	≤ 0.2	≤ 2	4450003
	150 - 200	(6 - 8")	≤ 1	2.5	7.5	≤ 0.2	≤ 2	4450004
840 FC	0 - 25	(0 - 1")	≤ 1	2	7.5	≤ 0.2	≤ 1	4450100
	25 - 60	(1 - 2.36")	≤ 1	2	7.5	≤ 0.2	≤ 2	4450101

* Excludes indicating instrument

** Further measuring forces are available on request

Indicating Instruments

All indicating instruments that has a 8 mm mounting shank may be used. Recommended are:

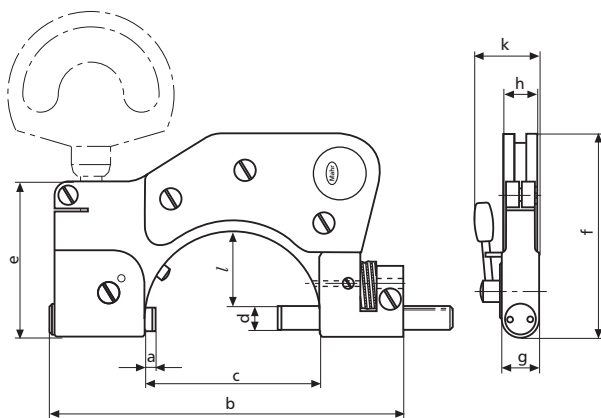
Dial Comparator		Readings		Order no.	
		mm	/ inch	mm	/ inch
Compramess	1004 / 1004 Z	5 μm	/ .0001"	4333000 / 4333900	
Millimess	1003 / 1003 Z	1 μm	/ .00005"	4334000 / 4334900	
Millimess	1003 XL	2 μm		4334001	
Supramess	1002 / 1002 Z	0.5 μm	/ .00002"	4335000 / 4335900	
Extramess	2000	0.2 μm	/ .00001"	4346000*	
		0.5 μm	/ .00002"		
		1 μm	/ .00005"		
Extramess	2001	0.2 μm	/ .00001"	4346100*	
		0.5 μm	/ .00002"		
		1 μm	/ .00005"		
$\mu\text{Max}\mu\text{m II}$.0005 mm	/ .00002"	2034205*	



Digital Indicators see Chapter 5
Electrical Indicating Instruments see Chapter 7

* 230 V, for 115 V please refer to page 6-5

** requires contact 4360107



Meas. range	0 - 25	25 - 60	50 - 100	100 - 150	150 - 200
mm					
a*	5	5	6.5	6.5	6.5
b	97	140	193	258	316
c	34	68	110	162	212
d	8	9	10	12	12
e	54	60	60	70	75
f	65	77	103	141	171
g	12	13	14	16	16
h	13	13	13	12	12
k	23	25	28	31	31
l	14	30	54	81	106

* In initial position

Accessories

Reference Discs 390 see Chapter 13

Gage Blocks see Chapter 13

Holder 840 Fk and Stand 840 Ff see Page 9-15