



H I G H P R E C I S I O N

Internal Bore Measurement



BOWERS GROUP



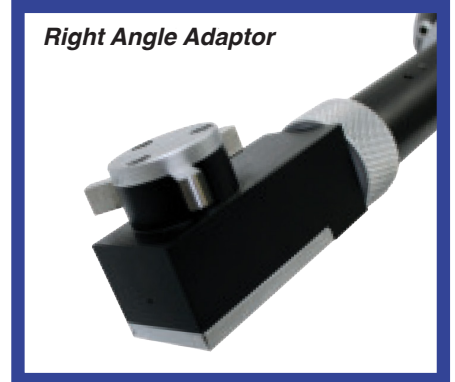
www.willrich.com.com

Special Applications

Here's what puts Fowler above the rest!

Although Fowler Bowers produces the most comprehensive series of bore gages and internal measuring equipment available, not all applications can be covered by our standard instrument range. In line with our customer care ethos, Bowers has earned a reputation for manufacturing special heads for measuring non-standard applications. The following illustrates some of the many difficult measuring problems easily solved by these special heads.

Right Angle Adaptor



**2 and 3 Point
Screw Threads**



Ball Screw Threads



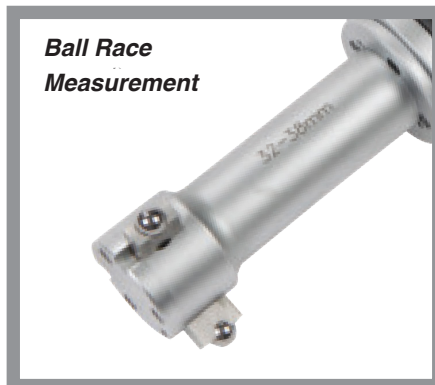
2 and 3 Point Grooves



**Brake Caliper
Measurement**



**Ball Race
Measurement**



**Internal and External
Spline**



2 Point Spherical



3 Point Spherical



Slot Width



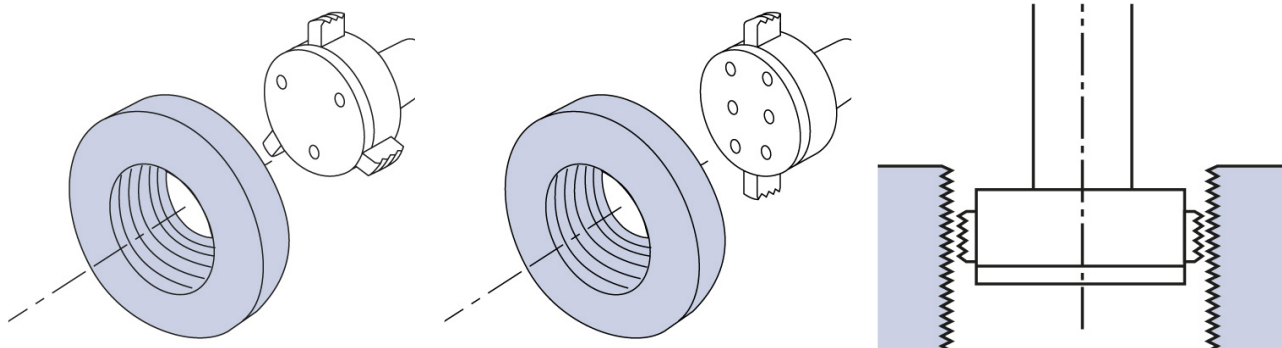
Here's how it works



The accurate measurement of external threads is a relatively simple gaging task, the measurement of internal threads has traditionally been regarded as an extremely problematic chore. When faced with the need to accurately measure a critical internal thread, a standard Bowers XT3 Holematic Bore Gage is supplied with internal thread measuring anvils. Not only has the XT3 Holematic an impressive, extended travel capability of the anvils, the bore gage head is adapted to accurately measure internal threads.

Fowler-Bowers is now able to provide the global industry with a full range of extremely accurate internal thread measuring gages by precisely machining the male profiles of all standard and even in-house created threads onto its hardwearing measuring anvils, thus rendering the use of the traditional, and often subjective, screw plug-gauges obsolete. In addition, a single head can measure various classes of fit, pre and post-plate, pre and post heat-treatment, and the larger heads have the ability to measure a range of thread sizes, e.g. M40-M50, while the 2-point heads can also check ovality.

The Bowers Holematic pistol grip system allows for fast, single handed operation with a constant force resulting in very high gage repeatability and reproducibility results, independent of the operator's "feel" and experience. With an impressive IP67 rating, a large, clear digital display, metric/inch conversion and an USB or (optional) Bluetooth data output, the XT3 Holematic Bore Gage can measure thread sizes from M4 up to 300mm.



Internal Thread Measurement

- High repetitive measurement accuracy, independent of operator's reading interpretation
- To measure effective (functional) diameter, pitch and major diameter
- Range M4 - 300mm+ (0.15" - 12"+) diameter
- Forms include ISO Metric, Unified, Whitworth, Buttress, Trapezoidal, ACME, ballscrews and user defined specials
- Standard deep hole extensions can be used above M10 for measurement of deep threads
- Interchangeable with standard heads
- 2 and 3-point, ball screw threads
- 2-point heads to check ovality
- The gages are supplied with thread rings for calibration



XTH3 Holematic Pistol Grip



54-567-740-BT



54-567-706-BT

Fowler Bowers XT3 Holematic Pistol Grip range of bore gages offer extended travel with fixed anvils. The pistol grip handle incorporates a constant measuring pressure to eliminate operator "feel."

- To reduce hand fatigue, the travel of the trigger is adjustable for minimum over-travel
- Ergonomic design
- Larger easy-to-read swivel display
- Self centering heads
- Proximity output and USB connectivity
- Four preset memories
- Fixed anvils
- Resolution: 0.00005" / 0.001mm
- Range: 0.080" - 12" (2 - 300mm)
- Tungsten carbide measuring faces on all 3-point heads from .5" (12.5mm) and up
- Heads with special anvils available for threads, splines, slots, etc.
- Sizes over .500" (12.5mm) feature blind bore capability
- Setting rings included in all sets
- Includes UKAS certificates for all pistol grip, heads and rings
- Special anvils available



Made in ENGLAND



Bluetooth Electronic Holematic Pistol Grip XTH3 - Individual sizes (Includes pistol grip, head and ring)

Part Number	Range	Accuracy	Depth
2-Point Heads			
54-567-701-BT	0.080" - 0.100"/2 - 2.5mm	0.00015"/0.004mm	0.350"/9mm
54-567-702-BT	0.100" - 0.120"/2.5 - 3mm	0.00015"/0.004mm	0.350"/9mm
54-567-703-BT	0.120" - 0.160"/3 - 4mm	0.00015"/0.004mm	0.470"/12mm
54-567-704-BT	0.160" - 0.200"/4 - 5mm	0.00015"/0.004mm	0.700"/18mm
54-567-705-BT	0.200" - 0.250"/5 - 6mm	0.00015"/0.004mm	0.700"/18mm
3-Point Heads			
54-567-706-BT	0.250" - 0.312"/6 - 8mm	0.00015"/0.004mm	2.28"/58mm
54-567-708-BT	0.312" - 0.375"/8 - 10mm	0.00015"/0.004mm	2.28"/58mm
54-567-710-BT	0.375" - 0.500"/10 - 12.5mm	0.00015"/0.004mm	2.28"/58mm
54-567-712-BT	0.500" - 0.625"/12.5 - 16mm	0.00015"/0.004mm	2.44"/62mm
54-567-716-BT	0.625" - 0.750"/16 - 20mm	0.00015"/0.004mm	2.44"/62mm
54-567-720-BT	0.750" - 1"/20 - 25mm	0.00015"/0.004mm	2.62"/66mm
54-567-725-BT	1 - 1.375"/25 - 35mm	0.00015"/0.004mm	2.62"/66mm
54-567-735-BT	1.375" - 2"/35 - 50mm	0.00015"/0.004mm	3.15"/80mm
54-567-740-BT	2 - 2.625"/50 - 65mm	0.00020"/0.005mm	3.15"/80mm
54-567-745-BT	2.625" - 3.250"/65 - 80mm	0.00020"/0.005mm	3.15"/80mm
54-567-750-BT	3.250" - 4"/80 - 100mm	0.00020"/0.005mm	3.35"/85mm
54-567-800-BT	4 - 5"/100 - 125mm	0.00025"/0.006mm	3.94"/100mm
54-567-825-BT	5 - 6"/125 - 150mm	0.00025"/0.006mm	3.94"/100mm
54-567-850-BT	6 - 7"/150 - 175mm	0.00030"/0.007mm	3.94"/100mm
54-567-875-BT	7 - 8"/175 - 200mm	0.00030"/0.007mm	3.94"/100mm
54-567-876-BT	8 - 9"/200 - 225mm	0.00030"/0.008mm	3.94"/100mm
54-567-877-BT	9 - 10"/225 - 250mm	0.00030"/0.008mm	4.05"/103mm
54-567-878-BT	10 - 11"/250 - 275mm	0.00035"/0.009mm	4.05"/103mm
54-567-879-BT	11 - 12"/275 - 300mm	0.00035"/0.009mm	4.05"/103mm

Contact willrich precision 866-945-5742 for special anvil applications

XTH3 Holematic Pistol Grip Sets



Complete Range Sets

Part Number	Range	Includes
54-567-009-BT	0.080" - 0.250"/2 - 6mm	5 heads, 1 handle, 3 rings
54-567-010-BT	0.250" - 0.375"/6 - 10mm	2 heads, 1 handle, 1 ring
54-567-020-BT	0.375" - 0.750"/10 - 20mm	3 heads, 1 handle, 2 rings
54-567-050-BT	0.750" - 2"/20 - 50mm	3 heads, 1 handle, 2 rings
54-567-100-BT	2 - 4"/50 - 100mm	3 heads, 1 handle, 2 rings
54-567-105-BT	4 - 6"/100 - 150mm	2 heads, 1 handle, 1 ring
54-567-110-BT	6 - 8"/150 - 200mm	2 heads, 1 handle, 1 ring
54-567-200-BT	4 - 8"/100 - 200mm	4 heads, 1 handle, 2 rings
54-567-210-BT	0.750" - 4"/20 - 100mm	6 heads, 1 handle, 4 rings
54-567-620-BT	0.250" - 0.750"/6 - 20mm	5 heads, 1 handle, 3 rings

Pistol Grips



Holematic XTH Pistol Grip Only

Part Number	Range
54-567-350-BT	0.080" - 0.250"/ 2 - 6mm
54-567-375-BT	0.250" - 0.750"/ 6 - 20mm
54-567-400-BT	0.750" - 4"/ 20 - 100mm
54-567-480-BT	4" - 12"/ 100 - 300mm



Connectivity Kits

Part Number	Description
54-115-526-0	Proximity USB Cable
54-115-527-0	Proximity Serial Cable
54-100-350-0	CR2032 Battery

Contact the Willrich Precision for special anvil applications

XTD3 Electronic Holemikes



54-367-022-BT



54-367-014-BT

The Fowler Bowers XT3 Digital Internal Micrometers have been designed to further simplify the accurate measurement of bores. All XT instruments offer fixed anvils. Sizes above 1"/25mm offer extended travel. They are available as individual instruments or in complete sets.



- Larger easy-to-read display
- Direct inch/metric conversion
- 4 Preset memories
- Ratchet stop for consistent measurement.
- Resolution: .00005"/.001mm
- Proximity and USB connectivity.
- Heads with special anvils available for threads, splines, slots, etc.
- Setting rings included in all sets
- Sizes over 0.500"/12.5mm feature tungsten carbide anvils and blind bore measurement
- Includes UKAS certificates for micrometer, heads and setting rings.
- Special anvils available.

Bluetooth Electronic Holemike XTD3 - Individual Sizes (Includes head, handle and ring)

Part Number	Range	Accuracy	Depth
2-Point Heads			
54-367-003-BT	0.080" - 0.100"/2 - 2.5mm	0.00015"/ 0.004mm	0.350"/9mm
54-367-004-BT	0.100" - 0.120"/2.5 - 3mm	0.00015"/0.004mm	0.350"/9mm
54-367-005-BT	0.120" - 0.160"/3 - 4mm	0.00015"/0.004mm	0.470"/12mm
54-367-006-BT	0.160" - 0.200"/4 - 5mm	0.00015"/0.004mm	0.700"/18mm
54-367-007-BT	0.200" - 0.250"/5 - 6mm	0.00015"/0.004mm	0.700"/18mm
3-Point Heads			
54-367-008-BT	0.250" - 0.312"/6 - 8mm	0.00015"/0.004mm	2.28"/58mm
54-367-010-BT	0.312" - 0.375"/8 - 10mm	0.00015"/0.004mm	2.28"/58mm
54-367-012-BT	0.375" - 0.500"/10 - 12.5mm	0.00015"/0.004mm	2.28"/58mm
54-367-014-BT	0.500" - 0.625"/12.5 - 16mm	0.00015"/0.004mm	2.44"/62mm
54-367-016-BT	0.625" - 0.750"/16 - 20mm	0.00015"/0.004mm	2.44"/62mm
54-367-018-BT	0.750" - 1"/20 - 25mm	0.00015"/0.004mm	2.62"/66mm
54-367-021-BT	1 - 1.375"/25 - 35mm	0.00015"/0.004mm	2.62"/66mm
54-367-022-BT	1.375" - 2"/35 - 50mm	0.00015"/0.004mm	3.15"/80mm
54-367-024-BT	2 - 2.625"/50 - 65mm	0.00020"/0.005mm	3.15"/80mm
54-367-026-BT	2.625" - 3.250"/65 - 80mm	0.00020"/0.005mm	3.15"/80mm
54-367-028-BT	3.250" - 4"/80 - 100mm	0.00020"/0.005mm	3.94"/100mm
54-367-030-BT	4 - 5"/100 - 125mm	0.00025"/0.006mm	4.53"/115mm
54-367-032-BT	5 - 6"/125 - 150mm	0.00025"/0.006mm	4.53"/115mm
54-367-034-BT	6 - 7"/150 - 175mm	0.00030"/0.007mm	4.53"/115mm
54-367-036-BT	7 - 8"/175 - 200mm	0.00030"/0.007mm	4.53"/115mm
54-367-037-BT	8 - 9"/200 - 225mm	0.00030"/0.008mm	4.65"/118mm
54-367-038-BT	9 - 10"/225 - 250mm	0.00030"/0.008mm	4.65"/118mm
54-367-039-BT	10 - 11"/250 - 275mm	0.00035"/0.009mm	4.65"/118mm
54-367-040-BT	11 - 12"/275 - 300mm	0.00035"/0.009mm	4.65"/118mm

Contact Willrich Precision or special anvil applications

XTD3 Electronic Holemikes Sets



Electronic Holemike XTD3 Complete Range Sets

Part Number	Range	Set Includes
54-367-000-BT	0.080" - 0.250"/2 - 6mm	5 heads, 1 handle, 3 rings
54-367-010-BT	0.250" - 0.375"/6 - 10mm	2 heads, 1 handle, 1 ring
54-367-020-BT	0.375" - 0.750"/10 - 20mm	3 heads, 1 handle, 2 rings
54-367-050-BT	0.750" - 2"/20 - 50mm	3 heads, 1 handle, 2 rings
54-367-100-BT	2" - 4"/50 - 100mm	3 heads, 1 handle, 2 rings
54-367-105-BT	4" - 6"/100 - 150mm	2 heads, 1 handle, 1 ring
54-367-110-BT	6" - 8"/150 - 200mm	2 heads, 1 handle, 1 ring
54-367-200-BT	4" - 8"/100 - 200mm	4 heads, 1 handle, 2 rings

Holematic XTD3 Holemike Handle ONLY

Part Number	Range
54-367-556-BT	0.080" - 0.250"/2 - 6mm
54-367-550-BT	0.250" - 0.375"/6 - 10mm
54-367-551-BT	0.375" - 0.750"/10 - 20mm
54-367-552-BT	0.75" - 2"/20 - 50mm
54-367-553-BT	2" - 4"/50 - 100mm
54-367-554-BT	4" - 8"/100 - 200mm
54-367-557-BT	8" - 12"/200 - 300mm

Connectivity Kits

Part Number	Description
54-115-526-0	Proximity USB Cable
54-115-527-0	Proximity Serial Cable
54-100-350-0	CR2032 Battery

XTA Analog Holemikes



52-255-316-0



52-255-312-0



The Fowler-Bowers range of mechanical two and three point bore micrometers are now available as XTA extended travel versions between 0.080"/2mm and 12"/300mm. This allows wide measurement range without the need to interchange anvils.

- Graduations 0.00025" (0.005mm)
- 3-pt contact with tungsten carbide measuring anvils above 0.5" (12.5mm)
- Blind bore measuring above 0.5" (12.5mm)
- Ratchet stop for consistent measuring
- Extensions available for deep measuring
- Extended range capacity without changing anvils
- Basic function, same accuracy as the electronic
- Setting rings included in all sets
- Includes UKAS certificates.
- Every gage is individually serialized.
- Each range includes handle, head and ring.



XTA Analog Holemikes

Holemike XTA inch series - Includes handle, head & ring

Part Number	Range	Grads.	Accuracy	Measuring Depth	Ring Included
2-Point Heads					
52-255-305-0	0.080" - 0.100"	0.00005"	0.00015"	0.350"	0.100"
52-255-306-0	0.100" - 0.120"	0.00005"	0.00015"	0.350"	0.100"
52-255-307-0	0.120" - 0.160"	0.00005"	0.00015"	0.470"	0.160"
52-255-308-0	0.160" - 0.200"	0.00005"	0.00015"	0.700"	0.160"
52-255-309-0	0.200" - 0.250"	0.00005"	0.00015"	0.700"	0.200"
3-Point Heads					
52-255-310-0	0.250" - 0.312"	0.00025"	0.00015"	2.28"	0.312"
52-255-311-0	0.312" - 0.375"	0.00025"	0.00015"	2.28"	0.312"
52-255-312-0	0.375" - 0.500"	0.00025"	0.00015"	2.28"	0.5"
52-255-313-0	0.500" - 0.625"	0.00025"	0.00015"	2.44"	0.5"
52-255-314-0	0.625" - 0.750"	0.00025"	0.00015"	2.44"	0.75"
52-255-315-0	0.750" - 1"	0.00025"	0.00015"	2.60"	0.75"
52-255-316-0	1 - 1.375"	0.00025"	0.00015"	2.60"	1.375"
52-255-317-0	1.375" - 2"	0.00025"	0.00015"	3.15"	1.375"
52-255-318-0	2 - 2.625"	0.00025"	0.00020"	3.15"	2.625"
52-255-319-0	2.625" - 3.250"	0.00025"	0.00020"	3.15"	2.625"
52-255-320-0	3.250" - 4"	0.00025"	0.00020"	3.94"	3.25"
52-255-321-0	4 - 5"	0.00025"	0.00025"	4.53"	5.0"
52-255-322-0	5 - 6"	0.00025"	0.00025"	4.53"	5.0"
52-255-323-0	6 - 7"	0.00025"	0.00030"	4.53"	7.0"
52-255-324-0	7 - 8"	0.00025"	0.00030"	4.53"	7.0"
52-255-325-0	8 - 9"	0.00025"	0.00030"	4.65"	9.0"
52-255-326-0	9 - 10"	0.00025"	0.00030"	4.65"	9.0"
52-255-327-0	10 - 11"	0.00025"	0.00035"	4.65"	11.0"
52-255-328-0	11 - 12"	0.00025"	0.00035"	4.65"	11.0"

Holemike XTA metric series - Includes handle, head & ring

Part Number	Range	Grads.	Accuracy	Measuring Depth	Ring Included
2-Point Heads					
52-255-405-0	2 - 2.5mm	0.001mm	0.004mm	9mm	2.5mm
52-255-406-0	2.5 - 3mm	0.001mm	0.004mm	9mm	2.5mm
52-255-407-0	3 - 4mm	0.001mm	0.004mm	12mm	4mm
52-255-408-0	4 - 5mm	0.001mm	0.004mm	18mm	4mm
52-255-409-0	5 - 6mm	0.001mm	0.004mm	18mm	5mm
3-Point Heads					
52-255-410-0	6 - 8mm	0.005mm	0.004mm	58mm	8mm
52-255-411-0	8 - 10mm	0.005mm	0.004mm	58mm	8mm
52-255-412-0	10 - 12.5mm	0.005mm	0.004mm	58mm	12.5mm
52-255-413-0	12.5 - 16mm	0.005mm	0.004mm	62mm	12.5mm
52-255-414-0	16 - 20mm	0.005mm	0.004mm	62mm	20mm
52-255-415-0	20 - 25mm	0.005mm	0.004mm	66mm	20mm
52-255-416-0	25 - 35mm	0.005mm	0.004mm	66mm	35mm
52-255-417-0	35 - 50mm	0.005mm	0.004mm	80mm	35mm
52-255-418-0	50 - 65mm	0.005mm	0.005mm	80mm	65mm
52-255-419-0	65 - 80mm	0.005mm	0.005mm	80mm	65mm
52-255-420-0	80 - 100mm	0.005mm	0.005mm	100mm	80mm
52-255-421-0	100 - 125mm	0.005mm	0.006mm	115mm	125mm
52-255-422-0	125 - 150mm	0.005mm	0.006mm	115mm	125mm
52-255-423-0	150 - 175mm	0.005mm	0.007mm	115mm	175mm
52-255-424-0	175 - 200mm	0.005mm	0.007mm	115mm	175mm
52-255-425-0	200 - 225mm	0.005mm	0.008mm	118mm	225mm
52-255-426-0	225 - 250mm	0.005mm	0.009mm	118mm	225mm
52-255-427-0	250 - 275mm	0.005mm	0.009mm	118mm	275mm
52-255-428-0	275 - 300mm	0.005mm	0.009mm	118mm	275mm

XTA Analog Holemike Sets

The Fowler Bowers XT Analog Bore Gages offer an economical solution to accurate shop floor bore measurement. Fast, accurate and easy-to-use, the wide application range of the XT Analog Bore Gage line may be purchased individually or in sets.



52-255-768-0

Holemike XT Large Complete Range Inch Sets

Part Number	Range	Includes
52-255-365-0	0.080" - 0.120"	2 heads, 2 handles, 1 ring
52-255-465-0	0.120" - 0.250"	3 heads, 3 handles, 2 rings
52-255-565-0	0.250" - 0.375"	2 heads, 2 handles, 1 ring
52-255-665-0	0.375" - 0.750"	3 heads, 3 handles, 2 rings
52-255-775-0	0.750" - 2"	3 heads, 3 handles, 2 rings
52-255-885-0	2 - 4"	3 heads, 3 handles, 2 rings
52-255-890-0	4 - 6"	2 heads, 2 handles, 1 ring
52-255-900-0	6 - 8"	2 heads, 2 handles, 1 ring

Holemike XT Complete Range Metric Sets

Part Number	Range	Includes
52-255-368-0	2 - 3mm	2 heads, 2 handles, 1 ring
52-255-468-0	3 - 6mm	3 heads, 3 handles, 2 rings
52-255-568-0	6 - 10mm	2 heads, 2 handles, 1 ring
52-255-668-0	10 - 20mm	3 heads, 3 handles, 2 rings
52-255-768-0	20 - 50mm	3 heads, 3 handles, 2 rings
52-255-868-0	50 - 100mm	3 heads, 3 handles, 2 rings
52-255-898-0	100 - 150mm	3 heads, 3 handles, 1 ring
52-255-968-0	150 - 200mm	2 heads, 2 handles, 1 ring

XT Series Components and Accessories

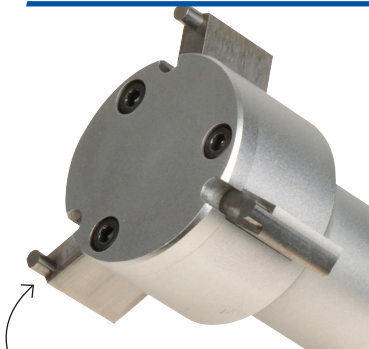
XT Setting Rings: X Class

Part Number	Size
54-332-004-0	0.100"
54-332-005-0	0.160"
54-332-006-0	0.200"
54-332-007-0	0.312"
54-332-008-0	0.500"
54-332-009-0	0.750"
54-332-010-0	1.375"
54-332-012-0	2.625"
54-332-013-0	3.250"
54-332-014-0	5"
54-332-015-0	7"
54-332-016-0	9"
54-332-017-0	11"

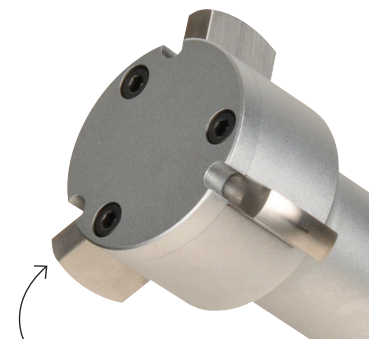


XT Extensions

Part Number	Length	Diameter	Fits Heads
54-336-301-0	2.5"/63mm	0.23"	0.250" - 0.375"/6 - 10mm
54-336-302-0	3"/76mm	0.366"	0.375" - 0.500"/10 - 12.5mm
54-336-303-0	4"/100mm	0.479"	0.500" - 0.750"/12.5 - 20mm
54-336-304-0	6"/150mm	0.740"	0.750" - 2"/20 - 50mm
54-336-305-0	6"/150mm	0.924"	2" and up (50mm and up)
54-336-306-0	20"/500mm	0.757"	0.750" and higher
54-336-307-0	40"/1000mm	1.365"	1.375" and higher



Standard Anvils



Spherical Anvils

Replacement Heads with Standard Anvils

Part No.	Size
54-342-006-0	0.080" - 0.100" (2 - 2.5mm)
54-342-007-0	0.100" - 0.120" (2.5 - 3mm)
54-342-008-0	0.120" - 0.160" (3 - 4mm)
54-342-009-0	0.160" - 0.200" (4 - 5mm)
54-342-010-0	0.200" - 0.250" (5 - 6mm)
54-342-011-0	1/4 - 5/16" (6 - 8mm)
54-342-012-0	5/16 - 3/8" (8 - 10mm)
54-342-013-0	3/8 - 1/2" (10 - 12.5mm)
54-342-014-0	1/2 - 5/8" (12.5 - 16mm)
54-342-015-0	5/8 - 3/4" (16 - 20mm)
54-342-016-0	3/4 - 1" (20 - 25mm)
54-342-017-0	1 - 1-3/8" (25 - 35mm)
54-342-018-0	1-3/8 - 2" (35 - 50mm)
54-342-019-0	2 - 2-5/8" (50 - 65mm)
54-342-020-0	2-5/8 - 3-1/4" (65 - 80mm)
54-342-021-0	3-1/4 - 4" (80 - 100mm)
54-342-022-0	4 - 5" (100 - 125mm)
54-342-023-0	5 - 6" (125 - 150mm)
54-342-024-0	6 - 7" (150 - 175mm)
54-342-025-0	7 - 8" (175 - 200mm)
54-342-026-0	8 - 9" (200 - 225mm)
54-342-027-0	9 - 10" (225 - 250mm)
54-342-028-0	10 - 11" (250 - 275mm)
54-342-029-0	11 - 12" (275 - 300mm)

Replacement Heads with Spherical Anvils

Part No.	Size
54-343-006-0	0.080" - 0.100" (2 - 2.5mm)
54-343-007-0	0.100" - 0.120" (2.5 - 3mm)
54-343-008-0	0.120" - 0.160" (3 - 4mm)
54-343-009-0	0.160" - 0.200" (4 - 5mm)
54-343-010-0	0.200" - 0.250" (5 - 6mm)
54-343-011-0	1/4 - 5/16" (6 - 8mm)
54-343-012-0	5/16 - 3/8" (8 - 10mm)
54-343-013-0	3/8 - 1/2" (10 - 12.5mm)
54-343-014-0	1/2 - 5/8" (12.5 - 16mm)
54-343-015-0	5/8 - 3/4" (16 - 20mm)
54-343-016-0	3/4 - 1" (20 - 25mm)
54-343-017-0	1 - 1-3/8" (25 - 35mm)
54-343-018-0	1-3/8 - 2" (35 - 50mm)
54-343-019-0	2 - 2-5/8" (50 - 65mm)
54-343-020-0	2-5/8 - 3-1/4" (65 - 80mm)
54-343-021-0	3-1/4 - 4" (80 - 100mm)
54-343-022-0	4 - 5" (100 - 125mm)
54-343-023-0	5 - 6" (125-150mm)
54-343-024-0	6 - 7" (150-175mm)
54-343-025-0	7 - 8" (175-200mm)
54-343-026-0	8 - 9" (200-225mm)
54-343-027-0	9 - 10" (225-250mm)
54-343-028-0	10 - 11" (250-275mm)
54-343-029-0	11 - 12" (275-300mm)



**WILLRICH PRECISION
I N S T R U M E N T**
THINK MEASUREMENT... THINK WILLRICH

Ph 866-945-5742 email:sales@willrich.com
