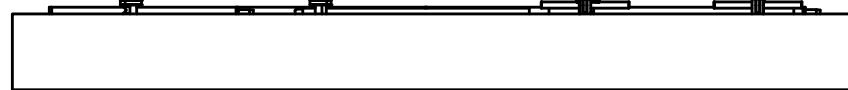
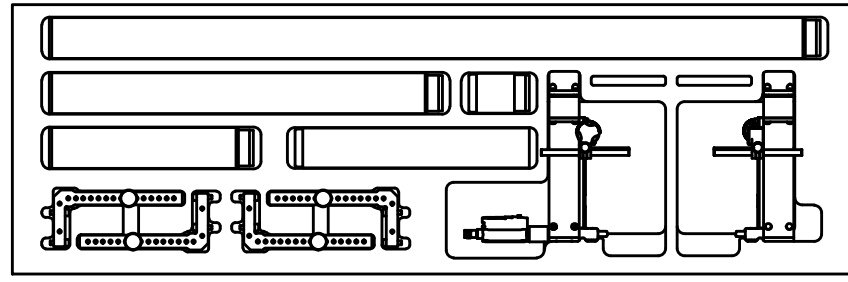
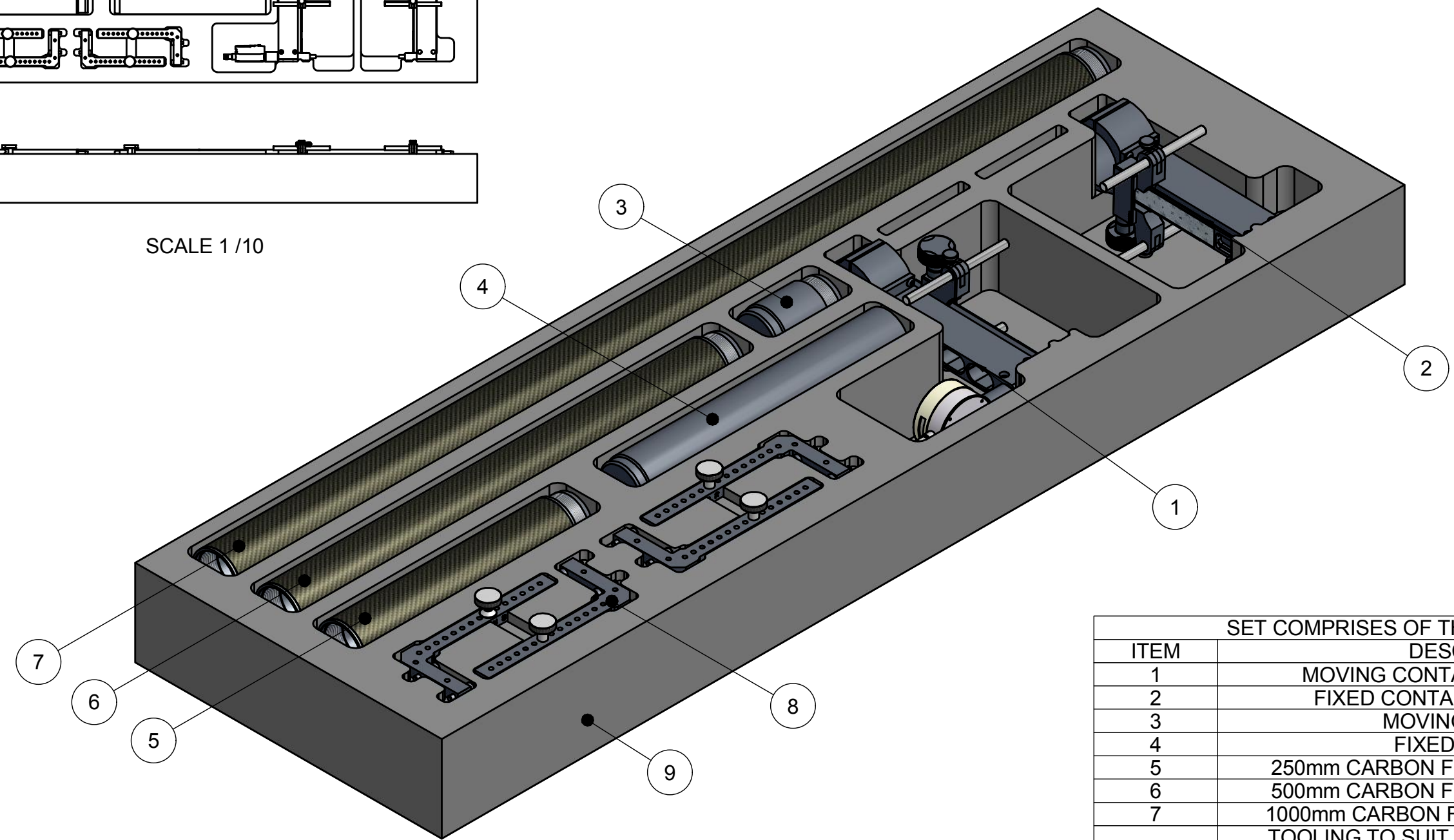


DRG. No	<b>CFBG01</b>
CAD DIR.	W:\Carbon Fibre beam Gauge\CFBG01\CFBG01 - BEAM GAUGE\DW\S\CFBG01.idw

REVISION HISTORY			
ISS	DESCRIPTION	DATE	APPROVED
02	SHEET 2 ADDED	11/4/2011	T.P
03	NOW ONE PIECE LEGS	7/7/2011	T.P



SCALE 1 / 10



SCALE 1 / 4

SHEET 2 OF 2  
CFBG01 SET DETAILS

SET COMPRISES OF THE FOLLOWING	
ITEM	DESCRIPTION
1	MOVING CONTACT LEG ASSEMBLY
2	FIXED CONTACT LEG ASSEMBLY
3	MOVING END TUBE
4	FIXED END TUBE
5	250mm CARBON FIBRE EXTENSION TUBE
6	500mm CARBON FIBRE EXTENSION TUBE
7	1000mm CARBON FIBRE EXTENSION TUBE
8	TOOLING TO SUIT TRIMOS MACHINE FOR PRESETTING
9	CASE WITH FOAM INSERTS

**CFBG01 SET CAPACITY**  
 EXTERNAL RANGE - 0mm > 1930mm  
 INTERNAL RANGE - 250mm > 2150mm

<b>A3</b>	UNSPECIFIED DIMENSIONS LINEAR DIMENSIONS ± 0.10mm ANGULAR DIMENSIONS ± 1'	Bowers Metrology Limited 32 Leeds Old Road, Bradford BD3 8HU	
REMOVE ALL SHARP CORNERS		TITLE	
SCALE	DIMENSIONS IN MM	<b>LAYOUT, CARBON BEAM GAUGE</b>	
<b>1:2</b>	3rd ANGLE PROJECTION		
SURFACE FINISH <b>1.6</b> µm CLA		DRAWN	<b>T.PARRY</b>
SURFACE TREATMENT /		DATE	<b>17/11/2009</b>
HEAT TREATMENT /		DRG. No	<b>CFBG01</b>
MATERIAL /		Issue No.	<b>03</b>