

Mitutoyo

Mitutoyo Quality

CNC Coordinate Measuring Machine **CRYSTA-Apex V Series**

COORDINATE
MEASURING MACHINES



Go above and beyond.

CRYSTA - Apex *V* SERIES

500/700/900 Series

Introducing our new CNC coordinate measuring machine focused on accuracy, speed, and versatility.

We are proud to unveil our CRYSTA-Apex V Series, which delivers faster measurements without compromising the measuring machine's inherent accuracy. It also supports measurement of workpieces of many different shapes, including impellers and blades. The CRYSTA-Apex V Series is a new generation CNC coordinate measuring machine that helps make the smart factory—a factory that leverages IoT for the advanced management of production and quality information—a reality.



A brand new design that conveys cutting-edge capabilities and creativity.

An extensive product lineup that covers a wide range of measurements, from small- to mid-sized workpieces.

A brand new design featuring a chassis sporting bold colors that convey cutting-edge capabilities and creativity, befitting of a precision measuring instrument of the IoT age.

With a lineup of three series / ten models covering measurements of small- to mid-sized workpieces, the CRYSTA-Apex V Series delivers further advances in performance, namely accuracy, speed, and versatility.



CRYSTA-Apex V 544

Measuring range

X: 500 mm

Y: 400 mm

Z: 400 mm



CRYSTA-Apex V 776

Measuring range

X: 700 mm
Y: 700 mm
Z: 600 mm

CRYSTA-Apex V 9106

Measuring range

X: 900 mm
Y: 1000 mm
Z: 600 mm

Note: All models incorporate a main unit Startup system (relocation detection system), which disables operation when an unexpected vibration is applied or the machine is relocated. Be sure to contact your nearest Mitutoyo Sales Office prior to relocating this machine after initial installation.

HIGH PRECISION

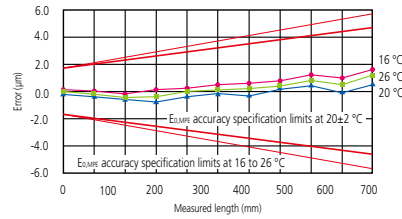


Absolute quality

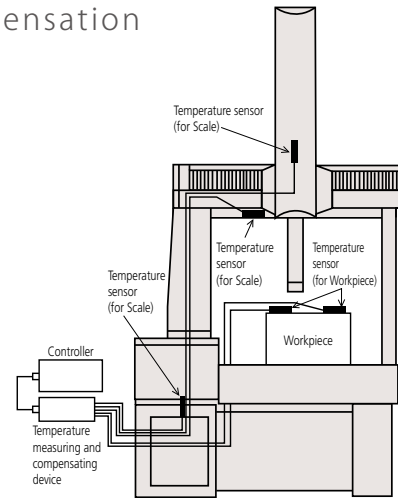
Provides accuracy that is unmatched by any previous general-purpose measuring machine through features that include the following: a real-time temperature compensation system that greatly contributes to measurement accuracy; a maximum permissible length measurement error of 1.7 μm (i.e. 2 μm uncertainty for a measured length of 100 mm) guaranteeing high-accuracy measurements of the most intricate workpieces; and enhanced repeatability.

Real-time temperature compensation

In the past, the accuracy of CMMs could not be guaranteed unless they were installed in constant temperature rooms. The temperature compensation feature guarantees accuracy under temperature conditions of 16-26 °C. This feature measures the temperature of the workpiece and that of the measuring machine, calculates what the measurement value would be at 20 °C, and outputs this value as the measurement result.

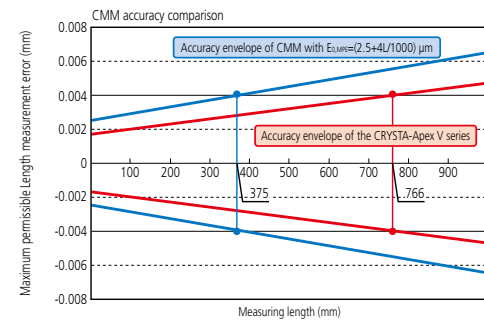


Graphs showing the effectiveness of temperature compensation



High accuracy in the 1.7 µm class

The CRYSTA-Apex V Series guarantees a maximum permissible length measurement error or $E_{0,MPE}$, of $1.7 + 3L/1000 \mu\text{m}$. Let's consider a CMM offering $E_{0,MPE}$ of approximately $2.5 + 4L/1000 \mu\text{m}$, which would generally be considered high-accuracy. If, for example, the required tolerance on a dimension is $\pm 0.02 \text{ mm}$, the uncertainty of this machine would exceed one-fifth of this value* ($\pm 0.004 \text{ mm}$, as shown on diagram at right) for any measured length over 375 mm. In contrast, with the V Series, the measurement uncertainty remains within one-fifth of the required tolerance for measuring lengths up to 766 mm. Although the difference in the first term accuracy specification between the two machines may seem small (a mere $0.8 \mu\text{m}$), the V Series actually offers guaranteed accuracy for more than double the measuring range.



* Assuming an acceptable working ratio between component tolerance and accuracy of measurement is 5:1 minimum.

Repetitive accuracy

To eliminate causes of dynamic error and deliver high repeatability, data from measurements using scanning probes are processed for stabilization. The probe is kept still for a few seconds when its tip first contacts the workpiece, thereby ensuring that causes of dynamic errors are eliminated as much as possible and making it possible to deliver highly accurate measurement results.



HIGH SPEED

Dramatically reduces measurement time with high-speed measurements for any shape

The V Series lets users freely set measurement paths along three-dimensional forms, enabling intricate workpieces to be measured along their curved surfaces and contours. It also allows for high-speed measurement unaffected by processing accuracy or misregistration through real-time correction of path errors caused by differences between the workpiece and design values. The V Series, with its high drive speed and acceleration combined with a maximum measuring speed (the speed with which the stylus traces over the workpiece) of 8 mm/s, dramatically reduces the total measuring time.



Speed and acceleration to reduce measurement time

The CRYSTA-Apex V Series offers a maximum drive speed of 519 mm/s and a maximum acceleration of 2,309 mm/s². Compared with conventional CNC CMMs (with a maximum speed of 430 mm/s and a maximum acceleration of 1,667 mm/s²), this amounts to about 100 mm more drive distance one second after starting movement. The V Series, with its high drive speed and acceleration combined with a maximum measuring speed (the speed with which the stylus traces over the workpiece) of 8 mm/s, much faster than conventional CNC CMMs (with a maximum measuring speed of 5 mm/s), cuts the total measuring time significantly. The more the number of measurement locations, the greater this margin grows, which in turn results in measurement cost savings.



High-speed optimal path scanning

The V Series is equipped with a measurement feature that allows users to specify scanning measurement paths (design values). This feature allows for high-speed, high-accuracy scanning by correcting dynamic errors that would otherwise be produced by acceleration and deceleration stresses. Measurement paths can be freely specified for three-dimensional forms as well, which enables intricate workpieces to be measured by tracking precisely along their curved surfaces and contours.



Active scanning feature

Enables high-speed measurement unaffected by processing accuracy or misregistration while maintaining the advantages of 3D optimal path scanning measurement, by tolerating discrepancies between design values and the actual workpiece. The intricacy of some workpieces (e.g. turbine blades, fan blades, and impellers) causes their processing accuracy to fluctuate or makes them more susceptible to misregistration. Their measurement therefore was difficult and was often aborted due to errors or other problems. The V Series enables smooth measurement of such workpieces.



DIVERSITY

Enables highly accurate and highly efficient measurement of workpieces of practically any shape

Users can choose the optimal probe for their workpiece from our lineup of CMM probes—including scanning probes and non-contact probes—to conduct highly accurate and efficient measurement.



Surface Measure 201FS
Mitutoyo
FLYING SPOT LASER PROBE

Probes for Coordinate Measuring Machines

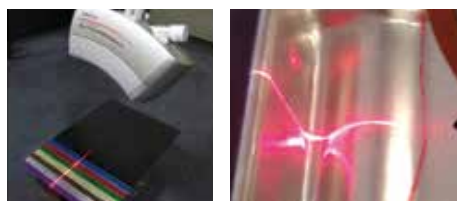
Compact high-accuracy scanning probe SP25M

The SP25M is a compact, high-accuracy scanning probe with a 25-mm outside diameter. It is a multi-function CNC CMM probe that can collect data from not only scanning measurements (where the probe moves while in contact with the workpiece to collect massive amounts of coordinate values) but from high-accuracy point measurements as well.



Non-contact laser probe SurfaceMeasure

SurfaceMeasure is a laser probe that collects coordinate values of the surface of the workpiece by moving and irradiating laser light over the workpiece. It can quickly obtain massive amounts of 3D surface data.



Measuring color sample boards

Measuring glossy workpieces



Automatic probe changer ACR3

Necessary when using probes that do not support automatic stylus exchange for fully automated measurements that require changes in stylus diameter and/or length. Also necessary for fully automated measurements that require switching between contact and non-contact probes. Now with a simpler structure and increased durability, thanks to a new mechanism that uses the drive of the CNC CMM for automatic exchange.



Unlock

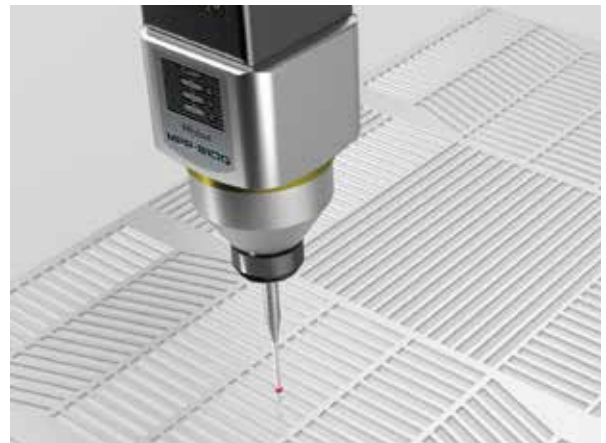
Lock

Enables efficient, high-accuracy measurements of a wide variety of workpieces

We have many applications for the CRYSTA-Apex V Series, such as scanning probes and non-contact probes, that enable measurement of a wide range of workpieces.

Separator molds

Electric vehicle



Surface and cross-section measurements of precision molds for separators can be conducted using a low measuring force, high-accuracy scanning probe. Three-dimensional error analysis and cross-sectional form analysis may be performed based on the obtained measurement points.

Impeller

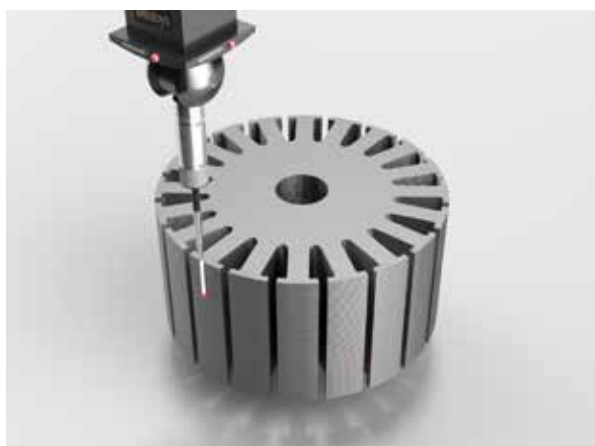
Automobile



Impellers can be measured using a highly robust non-contact laser probe that reduces multiple reflections. Just as accurate as contact probes, this probe offers high geometric reproducibility.

Motor cores

Electric vehicle



The V Series can measure the straightness, cross-sectional form, etc. of laminated motor cores. It can also conduct measurements of three-dimensional structures, including measurements of side faces and dimensions at arbitrary heights.

Blade

Aircraft



The cross-section of an aircraft engine turbine blade can be measured using a compact, high-accuracy scanning probe. Even workpieces susceptible to large errors, such as castings, can be measured quickly and reliably.

Artificial joint

Medical care



Freeform surface measurement of prosthetic joints can be conducted using a compact, high-accuracy scanning probe. Three dimensional error analysis may be performed based on the obtained measurement points.

Transmission cases

Power trains

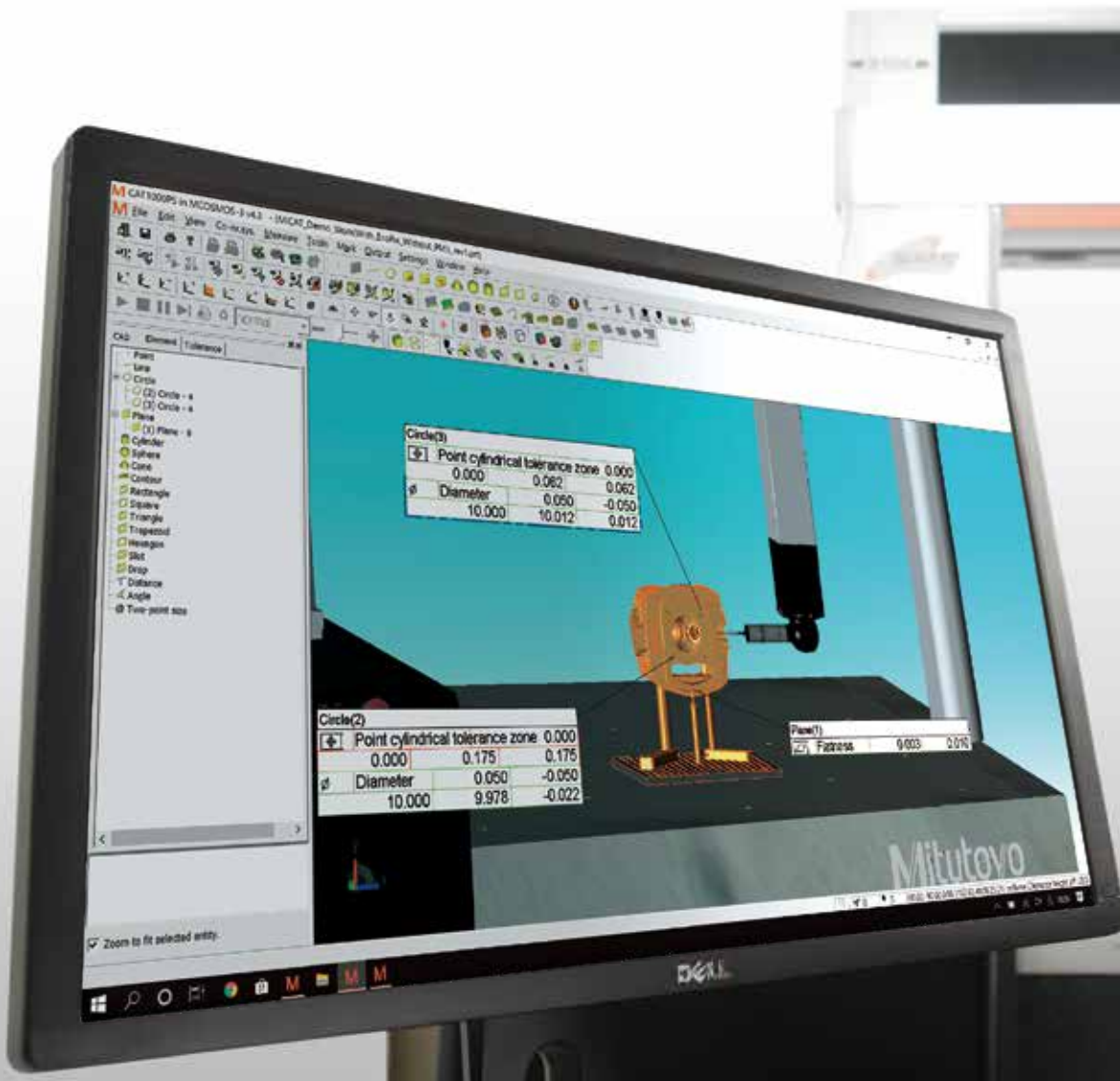


Non-contact laser probes require dramatically less measurement time compared to contact (scanning) probes. Scanning at once from three directions enables simultaneous measurement of the top and side faces, which means less repositioning and efficient measurement of even the most intricate workpieces.

SOFTWARE

Application software that offers both functionality and operability

We offer an extensive lineup of application software for generating measurement programs automatically, conducting gear analysis, performing evaluations using CAD and so on. From simple to complex measurements, they can resolve any measurement issues that our customers may encounter.

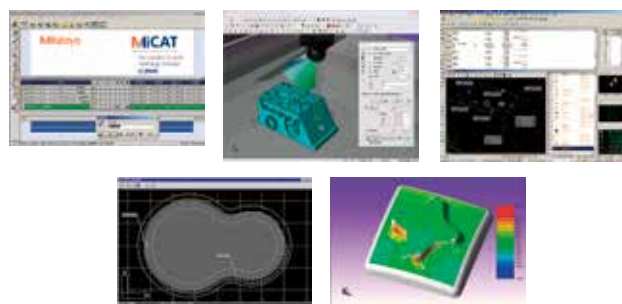




MCOSMOS

<Data Processing System for CMMs>

MCOSMOS is a new family of Windows-based processing programs for CMMs. It includes an extensive lineup of optional software applications that support a wide range of probes, enabling fully automated measurement of all kinds of workpiece.



MiCAT Planner

<Automatic Measurement Program Generation Software>

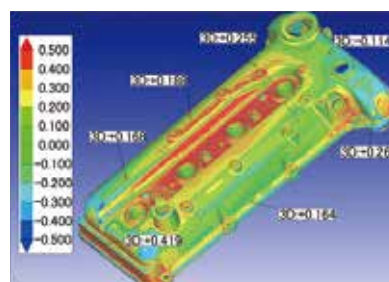
Software automatically generates measurement programs by reading tolerance information added to 3D CAD models to determine which part of the workpiece should be measured. Compared to conventional methods (teaching), this method can create measurement programs more efficiently.



MSURF

<Non-contact Laser Measurement and Evaluation Program>

MSURF is a package program comprised of MSURF-S for scanning and MSURF-I for inspection. Its functions include comparing and checking measurement point data (obtained using MSURF-S) against master model data, and measuring dimensions (MSURF-I).



SMART FACTORY

From status management to preventive maintenance. Kickstart your smart factory through visualization.

Mitutoyo has developed new features that use a network to centrally manage manufacturing process information. MeasurLink predicts defects by collecting and analyzing measuring machine data in real time. The Status Monitor (Smart Measuring System, or SMS), which indicates the operational status of the measuring machine, and the Condition Monitor, which indicates the condition of the machine itself, help maintain measurement accuracy, increase productivity, and improve maintenance management.



Status Monitor

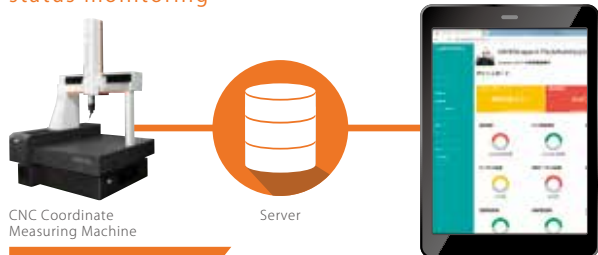
Can remotely monitor measuring machines





Condition Monitor

Conduct preventive maintenance through CMM status monitoring

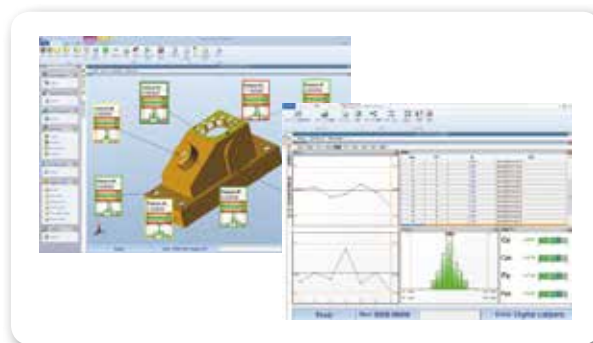


- Output information
- Traveled distance
 - Temperature log
 - Number of probe inputs

Preventive maintenance through status monitoring

MeasurLink

Reduces defective products by visualizing quality



USABILITY

Effectively reduces operation and measurement time through enhanced convenience and usability

Equipped with the Quick Launcher, which improves operability, and a joystick box that lets users remotely control their measuring machine as though it were right in front of them. Such enhancements in usability work to streamline the workflow by reducing measurement time and in other ways as well.

Part program execution

Equipped with the Quick Launcher as Standard, which enables simple and intuitive operation for easy part program execution. The touch panel monitor further improves operability, making operations effortless for anyone. Part programs can also be executed via barcodes and QR codes.



Joystick box

The joystick box allows users to easily operate their CRYSTA-Apex V Series CMM from a remote location. It comes with control buttons marked with user-friendly icons and an override knob for changing speed.



MiCAT Planner

Software automatically generates measurement programs by reading tolerance information added to 3D CAD models to determine which part of the workpiece should be measured. Compared to conventional methods (teaching), this method can create measurement programs more efficiently.



OPTIONS

Supports fully automated measurements and efficient setting to broaden options for applied measurements

Supports fully automated measurements that capitalize on the advantages of CNC CMMs.

Also supports efficient setting to broaden options for applied measurements by, for example, providing clamping tools that enable users to fix various workpieces more easily.

Automation example

The V Series' ability to deliver high-accuracy measurements across a wide temperature range eliminates the need for a dedicated measuring room. This allows for the automation of in-line and line-side measurements within the manufacturing process (i.e. on the manufacturing line), which significantly reduces measurement time and streamlines the workflow.



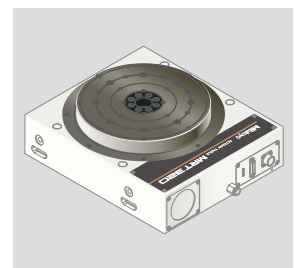
Clamping system Eco-Fix Kit

Mitutoyo clamping tools comprise a clamping system where elements can be put together like toy construction blocks to easily fix various workpieces.



Rotary table

Optional measuring device for CNC CMMs developed for efficient and high-accuracy measurement of mainly rotary workpieces (gears, impellers, screw rotors, cylindrical cams, etc.). Can be used together with a scanning probe for synchronized scanning measurement, enabling a wide range of contour measurements and thus broadening the range of applied measurements.





**Whatever your challenges are,
Mitutoyo supports you from start to finish.**

Mitutoyo is not only a manufacturer of top quality measuring products but one that also offers qualified support for the lifetime of the equipment, backed up by comprehensive services that ensure your staff can make the very best use of the investment.

Apart from the basics of calibration and repair, Mitutoyo offers product and metrology training, as well as IT support for the sophisticated software used in modern measuring technology. We can also design, build, test and deliver bespoke measuring solutions and even, if deemed cost-effective, take your critical measurement challenges in-house on a sub-contract basis.

Note: Product illustrations are without obligation. Product descriptions, in particular any and all technical specifications, are only binding when explicitly agreed upon.

MITUTOYO and MICAT are either registered trademarks or trademarks of Mitutoyo Corp. in Japan and/or other countries/regions. Other product, company and brand names mentioned herein are for identification purposes only and may be the trademarks of their respective holders.

Mitutoyo

Mitutoyo Asia Pacific Pte. Ltd.

Company Reg No. 197800892N
24 Kallang Avenue, Mitutoyo Building, Singapore 339415
Tel: (65) 6294 2211 Fax: (65) 6299 6666
E-mail: mapsg@mitutoyo.com.sg



www.mitutoyo.com.sg | www.mitutoyo.com.my
www.mitutoyo.co.th | www.mitutoyo.co.id
www.mitutoyo.com.vn | www.mitutoyo.com.ph

Mitutoyo (Malaysia) Sdn. Bhd.

Mah Sing Integrated Industrial Park,
 4, Jalan Utarid US/14, Section U5,
 40150 Shah Alam, Selangor, Malaysia
 Tel: (60) 3-7845 9318
 Fax: (60) 3-7845 9346
 E-mail: mmsb@mitutoyo.com.my

Penang Branch

Tel: (60) 4-641 1998 Fax: (60) 4-641 2998

Johor Branch

Tel: (60) 7-352 1626 Fax: (60) 7-352 1628

Mitutoyo (Thailand) Co., Ltd.

76/3-5, Chaengwattana Road, Kwaeng
 Anusaawaree, Khet Bangkaen,
 Bangkok 10220, Thailand
 Tel: (66) 2080 3500
 Fax: (66) 2521 6136
 E-mail: office@mitutoyo.co.th

Chonburi Branch

Tel: (66) 2080 3563 Fax: (66) 3834 5788

ACC Branch

Tel: (66) 2080 3565

PT. Mitutoyo Indonesia

Jalan Sriwijaya No.26
 Desa cibatu
 Kec. Cikarang Selatan
 Kab. Bekasi 17530, Indonesia
 Tel: (62) 21-2962 8600
 Fax: (62) 21-2962 8604
 E-mail: ptmi@mitutoyo.co.id

Mitutoyo Vietnam Co., Ltd.

No. 07-TT4, My Dinh - Me Tri Urban Zone,
 My Dinh 1 Ward, Nam Tu Liem District,
 Hanoi, Vietnam
 Tel: (84) 24-3768 8963
 Fax: (84) 24-3768 8960
 E-mail: mvc@mitutoyo.com.vn

Ho Chi Minh City Branch

Tel: (84) 28-3840 3489

Fax: (84) 28-3840 3498

E-mail: mvc@mitutoyo.com.vn

Mitutoyo Philippines, Inc.

Unit 1B & 2B LTI,
 Administration Building 1,
 Annex 1, North Main Avenue,
 Laguna Technopark, Biñan,
 Laguna 4024, Philippines
 Tel: (63) 49-544 0272
 Fax: (63) 49-544 0272
 E-mail: mpi@mitutoyo.com.ph