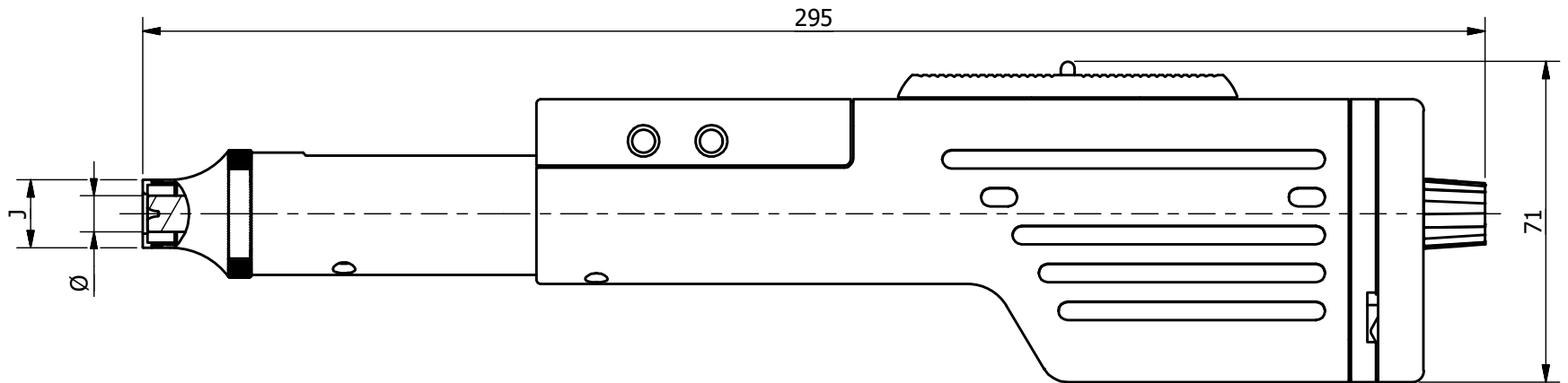
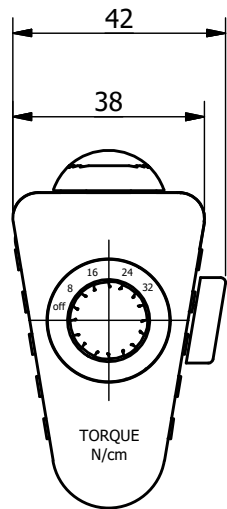


Type	300	400	500	600
∅	M4 - M6	M7 - M8	M14 - M16	M18 - M22
Meas. depth.	55	55	55	55
∅		M9 - M12		
Meas. depth.		50		
Torque +/-10%	8 N/cm	16 N/cm	24 N/cm	32 N/cm
Wear bushing J	∅9.5	∅15	∅19	∅26

REVISION HISTORY		
Rev.	Description	Date.
A		



Digital display resolution: 0,01 mm
 Measure accuracy: +/- 0,025 mm

Battery for display : Lithium CR2032 3V
 Battery for Motor : Keppower 18650 LI-ION
 3.7V 3500mAh

	Scale			
	1 : 1,5			
Leitech U.S., Ltd. 866-945-5742 sales@willrich.com		DMG (Digital Motorized Gauge) Standard Dimension		
This drawing is the property of Leitech U.S., Ltd., and may not be used in a way that violates Leitech Instruments interests without written permission.		Drw. no. T-17237	Revision A	