



**BEST DEALS**

Version B&S EN-USD



# CONNECTIVITY SPECIAL: CONVERT YOUR INSTRUMENTS TO BLUETOOTH® TECHNOLOGY AT THE BEST PRICES

Valid until 12/31/2018 - Prices exclude VAT

[HexagonMI.com](http://HexagonMI.com) | [TESAtechnology.com](http://TESAtechnology.com)



# WITH A VERY SMALL INVESTMENT YOU CAN CONVERT YOUR WORKSHOP OR CONTROL LABORATORY INSTRUMENTS TO BLUETOOTH® TECHNOLOGY!

ANY INSTRUMENT WITH AN OPTO-RS232, SUB-D RS232 OR TLC OUTPUT CAN BE EASILY UPGRADED WITH THE TESA CONNECTIVITY SOLUTION

The **TESA TLC-BLE** wireless Bluetooth® emitter allows users to connect measuring instruments to a computer.

Thanks to the free software **TESA DATA-VIEWER**, data can be easily collected, analysed and stored, avoiding transcription errors and ensuring perfect traceability.

With simple adaptors, all measuring instruments equipped with Opto-RS232, Sub-D RS232 or TESA Link Connector (TLC) output can be easily upgraded to the new TESA TLC-BLE Bluetooth® wireless emitter.



Watch the video!

Part number	EDP number	Designation	List price (\$)
04760178	76651	Cable adaptor OPTO-TLC	120
04760179	76652	Cable adaptor SUB-D RS232-TLC	62
04760183	76653	TESA TLC-BLE Starter Kit	95
04760184	76654	TESA TLC-BLE Emitter	55
04760185	76655	USB dongle for TESA TLC-BLE + 1,5m cable	40
TESA TLC-BLE Starter Kit contains:			
04760184	76654	TESA TLC-BLE Emitter	
04760185	76655	USB dongle for TESA TLC-BLE + 1,5m cable	

1x USB dongle can be used with 8 measuring instruments. It is not needed with Windows 10 (Release ≥1703, Creators Update) and integrated Bluetooth® 4.0 hardware on computer



**Free download TESA DATA-VIEWER on [TESAtechnology.com](http://TESAtechnology.com)**

TESA instrument drivers included  
 Software requirements Windows 7 / 8.1 / 10, 32 & 64-bit processor  
 Hardware minimal requirements: Intel i5 or equivalent, 4 GB RAM, 100 MB HDD



1. Equip your measuring instruments with Bluetooth® technology by replacing the TLC cap with the new TLC-BLE Emitter (adaptors are available for instruments that require one).



2. Measure and press button to transfer values via Bluetooth®.



3. TESA DATA-VIEWER software displays and manages data.



4. TESA DATA-VIEWER software can export data to processing software (STAT-EXPRESS, Q-DAS) or Excel.



TESA TWIN-T10



TESA-HITE Magna



TESA MICROMASTER\*  
p. 6



\$95

TESA TLC-BLE Starter Kit



\$55

TESA TLC-BLE Emitter



TESA μ-HITE  
p. 12



**\* OUR PRODUCTS HAVE A NEW LOOK!**

The quality and features remain the same, with a new harmonised design! The change will be gradual and it will take some months depending on stock availability

Visit our website to know the list of countries in which the TESA TLC-BLE wireless Bluetooth® emitter is approved.



## BROWN & SHARPE TWIN-CAL

Bidirectional communication via cable or wireless module



Part number	EDP number	Designation	Measuring range (in)	Thumb roller	Depth rod	List price (\$)	Promo price (\$)
00590092	47473	Brown & Sharpe TWIN-CAL	0 ÷ 6	✓	●	129	<b>105</b>
00590093	47474	Brown & Sharpe TWIN-CAL	0 ÷ 8	✓	■	129	<b>105</b>
00590094	47475	Brown & Sharpe TWIN-CAL	0 ÷ 8	✓	■	196	<b>155</b>
00590095	47476	Brown & Sharpe TWIN-CAL	0 ÷ 12	✓	■	276	<b>215</b>
00590302	47236	Brown & Sharpe TWIN-CAL IP67	0 ÷ 6	✓	●	199	<b>159</b>
00590303	47237	Brown & Sharpe TWIN-CAL IP67	0 ÷ 8	✓	■	199	<b>159</b>
00590304	47238	Brown & Sharpe TWIN-CAL IP67	0 ÷ 8	✓	■	276	<b>219</b>
00590305	47239	Brown & Sharpe TWIN-CAL IP67	0 ÷ 12	✓	■	379	<b>309</b>



### Accessories for wireless emission

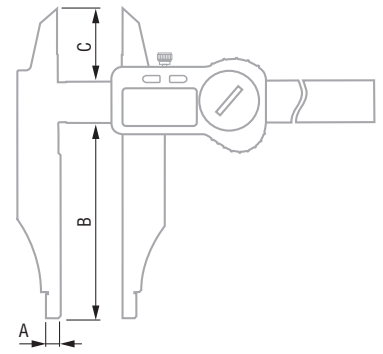
Part number	EDP number	Designation	List price (\$)
04760184	76654	TESA TLC-BLE Emitter	55

You can buy a single starter kit (the dongle can be used to connect up to 8 instruments)





00530431



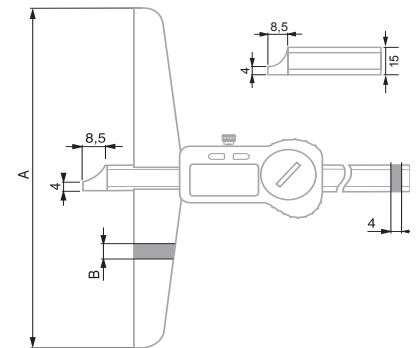
## TESA TWIN-CAL

Models with rounded measuring faces for internal dimensions and knife-edge jaws for external dimensions

Part number	EDP number	Measuring range (in)	A (in)	B (in)	C (in)	List price (\$)	Promo price (\$)
00530431	45618	0 ÷ 8	.197	3.149	1.181	474	<b>380</b>
00530433	45620	0 ÷ 12	.197	3.543	1.457	568	<b>455</b>
00530434	45621	0 ÷ 20	.394	5.906	2.362	943	<b>745</b>



00530441



## TESA TWIN-CAL

Models with short cut measuring face

Part number	EDP number	Measuring range (in)	A (in)	B (in)	List price (\$)	Promo price (\$)
00530441	45625	0 ÷ 8	4	.315	504	<b>399</b>
00530443	45627	0 ÷ 12	6	.315	558	<b>449</b>
00530444	45628	0 ÷ 20	6	.315	689	<b>559</b>





## TESA / BROWN & SHARPE MICROMASTER IP54

Large easy-to-read digital display



Part number	EDP number	Designation	Measuring range (in)	SCS certificate	List price (\$)	Promo price (\$)
599-125RS	27267	MICROMASTER RS IP54	0 ÷ 1.2	✓	414	<b>349</b>
599-126RS	27268	MICROMASTER RS IP54	1 ÷ 2	✓	504	<b>429</b>
599-127RS	27269	MICROMASTER RS IP54	2 ÷ 3	✓	550	<b>465</b>
599-128RS	27270	MICROMASTER RS IP54	3 ÷ 4	✓	591	<b>495</b>
60.30034	27441	MICROMASTER with Small Measuring Faces	0 ÷ 1.2	✓	829	<b>695</b>
60.30081	27435	MICROMASTER with Two Spherical Measuring Faces	0 ÷ 1	-	743	<b>625</b>



### Accessories for wireless emission

Part number	EDP number	Designation	List price (\$)
04760178	76651	Cable adaptor OPTO-TLC	120
04760184	76654	TESA TLC-BLE Emitter	55

You can buy a single starter kit (the dongle can be used to connect up to 8 instruments)





599-290-160-1

## TESA INTRIMIK CAPA $\mu$ SYSTEM

No influence of temperature variation on the measurement



Part number	EDP number	Measuring range (in)	Resolution (in)	Maximum permissible errors (in)	Repeatability limit (in)	List price (\$)	Promo price (\$)
599-290-28-1	27499	.138 ÷ .158	.00005	.00016	.00016	1301	<b>1095</b>
599-290-30-1	27500	.158 ÷ .178	.00005	.00016	.00016	1301	<b>1095</b>
599-290-32-1	27501	.178 ÷ .217	.00005	.00016	.00016	1306	<b>1098</b>
599-290-34-1	27502	.217 ÷ .256	.00005	.00016	.00016	1306	<b>1098</b>
599-290-35-1	27503	.240 ÷ .320	.00005	.00016	.00016	1007	<b>846</b>
599-290-42-1	27504	.320 ÷ .400	.00005	.00016	.00016	1007	<b>846</b>
599-290-50-1	27505	.400 ÷ .480	.00005	.00016	.00016	1007	<b>846</b>
599-290-60-1	27506	.430 ÷ .550	.00005	.00016	.00016	1032	<b>866</b>
599-290-70-1	27507	.550 ÷ .670	.00005	.00016	.00016	1032	<b>866</b>
599-290-80-1	27508	.670 ÷ .790	.00005	.00016	.00016	1032	<b>866</b>
599-290-100-1	27509	.790 ÷ .990	.00005	.00016	.00016	1071	<b>898</b>
599-290-120-1	27510	.990 ÷ 1.18	.00005	.00016	.00016	1071	<b>898</b>
599-290-140-1	27511	1.18 ÷ 1.38	.00005	.00016	.00016	1124	<b>944</b>
599-290-160-1	27512	1.38 ÷ 1.58	.00005	.00016	.00016	1140	<b>958</b>
599-290-200-1	27513	1.58 ÷ 1.98	.00005	.00024	.0002	1188	<b>998</b>
599-290-240-1	27514	1.98 ÷ 2.38	.00005	.00024	.0002	1226	<b>1030</b>
599-290-280-1	27515	2.36 ÷ 2.76	.00005	.00024	.0002	1262	<b>1060</b>
599-290-320-1	27516	2.76 ÷ 3.16	.00005	.00024	.0002	1285	<b>1080</b>
599-290-360-1	27517	3.15 ÷ 3.55	.00005	.00024	.0002	1301	<b>1095</b>
599-290-400-1	27518	3.55 ÷ 3.95	.00005	.00024	.0002	1335	<b>1120</b>



### Accessories for wireless emission

Part number	EDP number	Designation	List price (\$)
04760178	76651	Cable adaptor OPTO-TLC	120
04760184	76654	TESA TLC-BLE Emitter	55

You can buy a single starter kit (the dongle can be used to connect up to 8 instruments)



## TESA DIGICO

Dimensions, graduation and tolerance markers of a mechanical dial gage

Part number	EDP number	Designation	Rotating dial	Measuring range (in)	Numerical scale interval (in)	List price (\$)	Promo price (\$)
01930230	39675	DIGICO 205 MI	–	.5	.0005	314	<b>259</b>
01930231	42061	DIGICO 305 MI	–	.5	.00005	419	<b>349</b>
01930240	47192	DIGICO 405 MI – Tolerances	●	.5	.0005	366	<b>299</b>
01930241	47191	DIGICO 410 MI – Tolerances	●	1	.0005	597	<b>499</b>
01930256	47188	DIGICO 605 MI – Tolerances and memorisation	●	.5	.00005	537	<b>449</b>
01930257	46986	DIGICO 610 MI – Tolerances and memorisation	●	1	.00005	643	<b>539</b>



### Accessories for wireless emission

Part number	EDP number	Designation	List price (\$)
04760178	76651	Cable adaptor OPTO-TLC	120
04760184	76654	TESA TLC-BLE Emitter	55

You can buy a single starter kit (the dongle can be used to connect up to 8 instruments)

## MEASURING SUPPORTS

Supports characterised by their excellent stability and rigidity

Part number	EDP number	Designation	List price (\$)	Promo price (\$)
01639023	24784	INTERAPID magnetic support with articulated arm, H = 390 mm*	414	<b>348</b>
01639035	20527	Table measuring support with granite, column Ø 20*	471	<b>398</b>

\* Measuring supports are delivered without measuring instrument.







## ELECTRONIC USB PROBES

Using an interface housing becomes redundant: direct connection to USB port of PC. TSIP software included

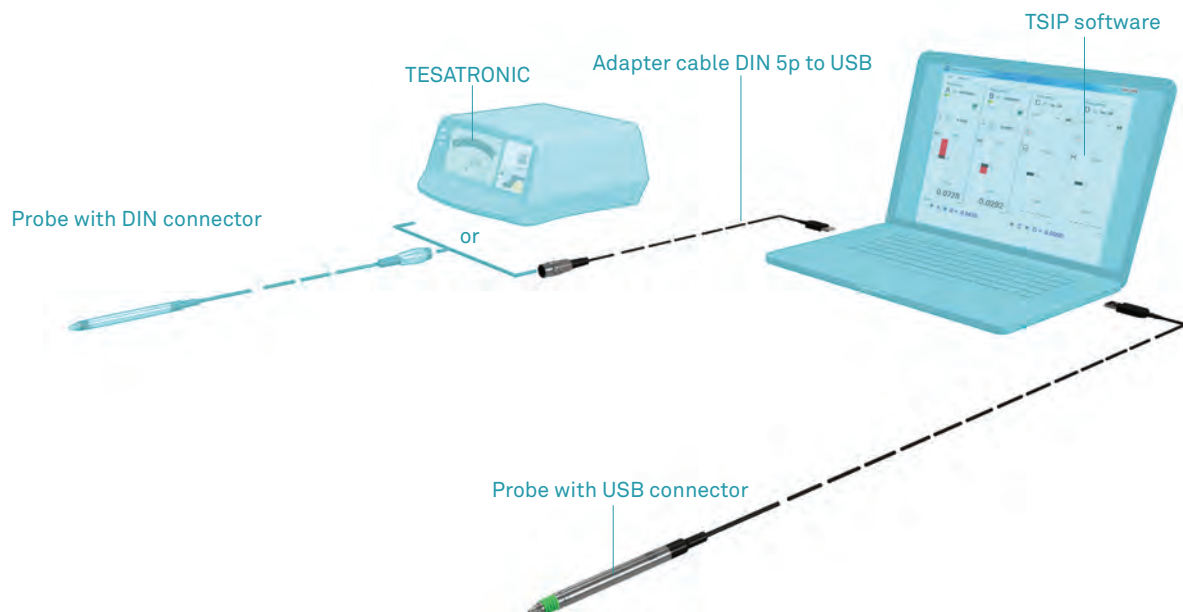
Part number	EDP number	Designation	Measuring range (mm)	Maximum permissible errors ( $\mu\text{m}$ )	Repeatability limit ( $\mu\text{m}$ )	Degree of protection	List price (\$)	Promo price (\$)
03230200	46897	GTL 21 USB	$\pm 2$	$0,4 + 0,8 \cdot L$	0,1	IP65	679	<b>489</b>
03230201	47187	GTL 22 USB	$\pm 2$	$0,4 + 0,8 \cdot L$	0,1	IP65	694	<b>499</b>
03230202	47186	GTL 222 USB	$\pm 1,5$	$0,4 + 0,8 \cdot L$	0,1	IP65	823	<b>595</b>
03230204	47184	GT 61 USB	$\pm 5$	$0,8 + 0,8 \cdot L$	0,24	IP65	837	<b>605</b>
03230205	47183	GT 62 USB	$\pm 5$	$0,8 + 0,8 \cdot L$	0,24	IP65	851	<b>615</b>
03230206	47326	GT 622 USB	$\pm 5$	$0,8 + 0,8 \cdot L$	0,24	IP65	911	<b>655</b>



## ADAPTER CABLES DIN 5P CONNECTOR TO USB TYPE A CONNECTOR

Allow the connection of a standard TESA inductive probe to a USB port of a PC, compatible with TSIP software

Part number	EDP number	Designation	Measuring range (mm)	List price (\$)	Promo price (\$)
03260500	47181	Adapter cable DIN 5p to USB for $\pm 2$ mm probes and GT 31	$\pm 2$	443	<b>299</b>
03260501	47180	Adapter cable DIN 5p to USB for $\pm 5$ mm probes	$\pm 5$	443	<b>299</b>





## TESA-HITE MOTORIZED HEIGHT GAGE

Easy-to-use height gage designed for fast and reliable 1D and 2D measurement... Now connectable with Bluetooth®



SCS certificate included



00730046

00730045

Part number	EDP number	Designation	Measuring Range (in)	Max. errors (in)	Repeatability (in)	List price (\$)	Promo price (\$)
00730045	35359	TESA-HITE +M 400	0 ÷ 16	.0001 +.000003L	On flat: 2σ = < .00005; Into bore 2σ = < .0001	7210	<b>5395</b>
00730046	35360	TESA-HITE +M 700	0 ÷ 28	.0001 +.000003L	On flat: 2σ = < .00005; Into bore 2σ = < .0001	7880	<b>5895</b>
00730057	35362	TESA-HITE +M 400 + printer	0 ÷ 16	.0001 +.000003L	On flat: 2σ = < .00005; Into bore 2σ = < .0001	7695	<b>5695</b>
00730058	35363	TESA-HITE +M 700 + printer	0 ÷ 28	.0001 +.000003L	On flat: 2σ = < .00005; Into bore 2σ = < .0001	8385	<b>6195</b>



### Accessories for wireless emission

Part number	EDP number	Designation	List price (\$)
04760179	76652	Cable adaptor SUB-D RS232-TLC	62
04760184	76654	TESA TLC-BLE Emitter	55

You can buy a single starter kit (the dongle can be used to connect up to 8 instruments)

# TESA MICRO-HITE

Motorized or manual – the ultimate reference



SCS certificate included



Part number	EDP number	Designation	Maximum permissible errors (in)	Repeatability limit (in)	List price (\$)
00730073	76639	MICRO-HITE 350 manual	.00008+.000002L	on surface (2σ): ≤.00005 on arc (2σ): ≤.00005	8500
00730074	76640	MICRO-HITE 600 manual	.00008+.000002L	on surface (2σ): ≤.00005 on arc (2σ): ≤.00005	9000
00730075	76641	MICRO-HITE 900 manual	.00008+.000002L	on surface (2σ): ≤.00005 on arc (2σ): ≤.00005	11100
00730076	76620	MICRO-HITE 350F manual, fine adjustment	.00008+.000002L	on surface (2σ): ≤.00005 on arc (2σ): ≤.00005	8900
00730077	76621	MICRO-HITE 600F manual, fine adjustment	.00008+.000002L	on surface (2σ): ≤.00005 on arc (2σ): ≤.00005	9500
00730078	76623	MICRO-HITE 900F manual, fine adjustment	.00008+.000002L	on surface (2σ): ≤.00005 on arc (2σ): ≤.00005	11500
00730079	76624	MICRO-HITE+M 350 motorized	.00007+.000002L	on surface (2σ): ≤.000025 on arc (2σ): ≤.00005	8900
00730080	76625	MICRO-HITE+M 600 motorized	.00007+.000002L	on surface (2σ): ≤.000025 on arc (2σ): ≤.00005	9500
00730081	76626	MICRO-HITE+M 900 motorized	.00007+.000002L	on surface (2σ): ≤.000025 on arc (2σ): ≤.00005	11500

BUY A TESA MICRO-HITE  
AND GET A TLC-BLE STARTER KIT FOR FREE!



Watch the video!



04760183

# TESA $\mu$ -HITE

The ultra compact turnkey solution for the product line

Need a "turnkey solution"?

With its application range of 14.2 in, this measuring station for workshops and laboratories is particularly suitable for measuring small parts.

Installed quickly, its high accuracy (.00005 in) not only matches the most powerful height gages, but also 1D probes, which are often expensive to install and less flexible in terms of application.



**HIGH ACCURACY**

Part number	EDP number	Designation	Maximum permissible errors (in)	Repeatability limit (in)	List price (\$)
00730503	76660	TESA $\mu$ -HITE	Coaxial: .00005 Offset: .0001	Coaxial: .00002 Offset: .00004	5295



## Accessories for wireless emission

Part number	EDP number	Designation	List price (\$)
04760184	76654	TESA TLC-BLE Emitter	55

You can buy a single starter kit (the dongle can be used to connect up to 8 instruments)



**Willrich Precision Ph 866-945-5742 / sales@willrich.com**

International Manufacturing Technology Show  
September 10 - 15, 2018 · McCormick Place · Chicago