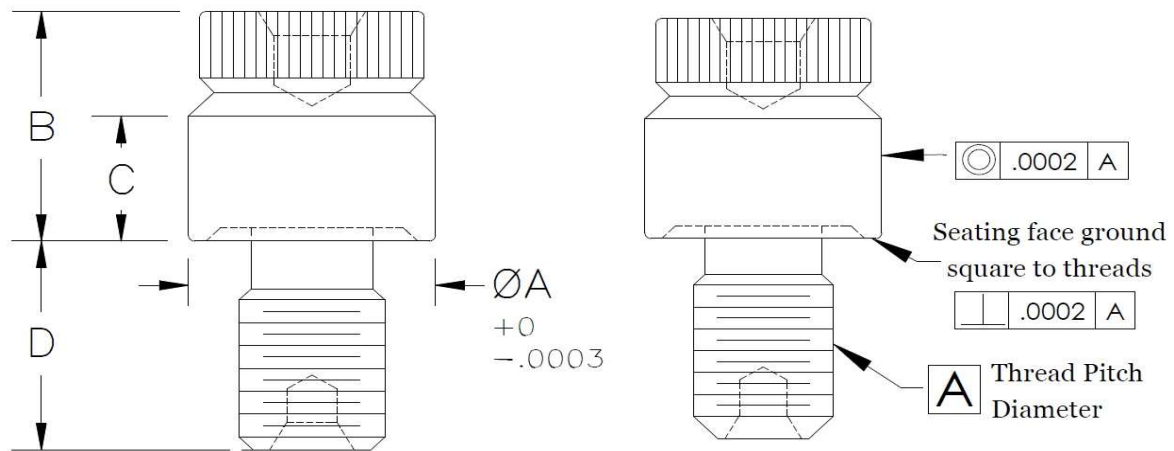
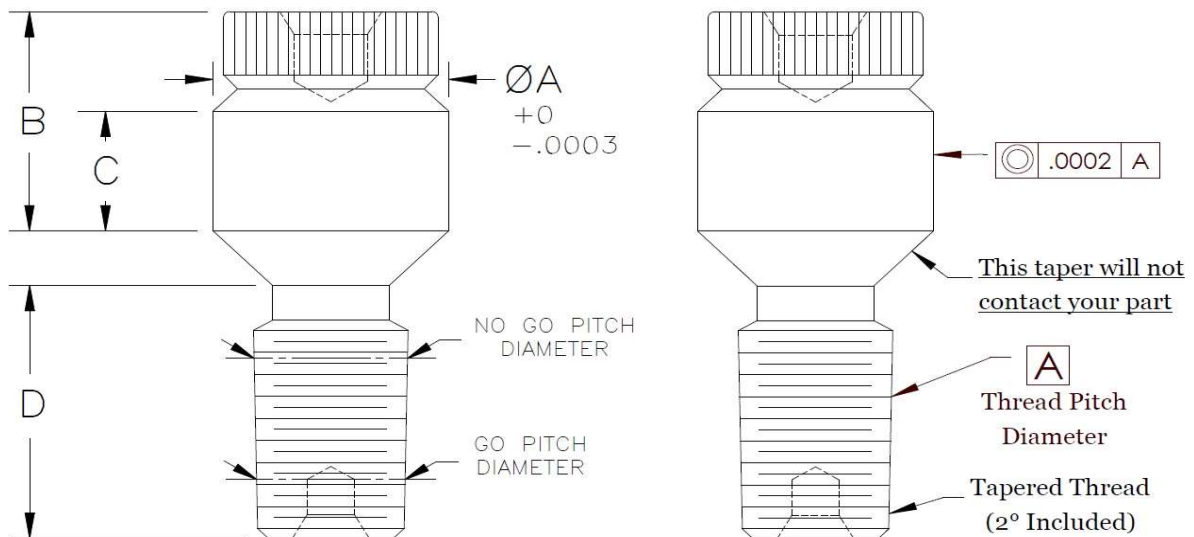




## *Straight seating for flat surfaces*



## *Tapered style for irregular surfaces*

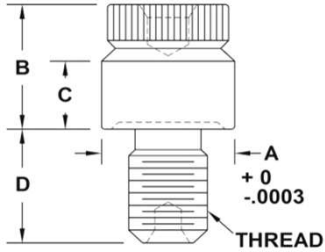




	PART NUMBER	THREAD	A	B	C	D	
<p style="text-align: center;"><b>UNIFIED SERIES</b></p>	1TP0080	0 - 80 UNF	.1700	.25	.16	.12	
	1TP0164	1 - 64 UNC	.1700	.25	.16	.12	
	1TP0172	1 - 72 UNF	.1700	.25	.16	.12	
	1TP0256	2 - 56 UNC	.1700	.25	.17	.15	
	1TP0264	2 - 64 UNF	.1700	.25	.17	.15	
	1TP0348	3 - 48 UNC	.2000	.25	.17	.15	
	1TP0356	3 - 56 UNF	.2000	.25	.17	.15	
	1TP0440	4 - 40 UNC	.2000	.25	.17	.15	
	1TP0448	4 - 48 UNF	.2000	.25	.17	.15	
	1TP0540	5 - 40 UNC	.2000	.25	.17	.15	
	1TP0544	5 - 44 UNF	.2000	.25	.17	.15	
	1TP0632	6 - 32 UNC	.2500	.25	.17	.18	
	1TP0640	6 - 40 UNF	.2500	.25	.17	.18	
	1TP0648	6 - 48 UNS	.2500	.25	.17	.18	
	1TP0832	8 - 32 UNC	.2500	.35	.21	.18	
	1TP0836	8 - 36 UNF	.2500	.35	.21	.18	
	1TP0840	8 - 40 UNS	.2500	.35	.21	.18	
	1TP1024	10 - 24 UNC	.3100	.35	.21	.20	
	1TP1028	10 - 28 UNS	.3100	.35	.21	.20	
	1TP1032	10 - 32 UNF	.3100	.35	.21	.20	
	1TP1036	10 - 36 UNS	.3100	.35	.21	.20	
	1TP1048	10 - 48 UNS	.3100	.35	.21	.20	
	1TP1224	12 - 24 UNC	.3600	.38	.23	.22	
	1TP1228	12 - 28 UNF	.3600	.38	.23	.22	
	1TP1232	12 - 32 UNEF	.3600	.38	.23	.22	
	1TP1764	11/64 - 64 UNS	.3100	.35	.21	.20	
	1TP2520	1/4 - 20 UNC	.4000	.40	.25	.25	
	1TP2524	1/4 - 24 UNS	.4000	.40	.25	.25	
	1TP2528	1/4 - 28 UNF	.4000	.40	.25	.25	
	1TP2532	1/4 - 32 UNEF	.4000	.40	.25	.25	
	1TP2536	1/4 - 36 UNS	.4000	.40	.25	.25	
	1TP2540	1/4 - 40 UNS	.4000	.40	.25	.25	
	1TP3118	5/16 - 18 UNC	.4000	.40	.25	.25	
	1TP3120	5/16 - 20 UN	.4000	.40	.25	.25	
	1TP3124	5/16 - 24 UNF	.4000	.40	.25	.25	
	1TP3128	5/16 - 28 UN	.4000	.40	.25	.25	
	1TP3132	5/16 - 32 UNEF	.4000	.40	.25	.25	
	1TP3424	11/32 - 24 UNS	.4500	.45	.30	.30	
1TP3432	11/32 - 32 UNS	.4500	.45	.30	.28		
1TP3716	3/8 - 16 UNC	.5000	.50	.33	.30		
1TP3718	3/8 - 18 UNS	.5000	.50	.33	.30		
1TP3720	3/8 - 20 UN	.5000	.50	.33	.30		
1TP3724	3/8 - 24 UNF	.5000	.50	.33	.30		
1TP3728	3/8 - 28 UN	.5000	.50	.33	.30		

Continued on next page

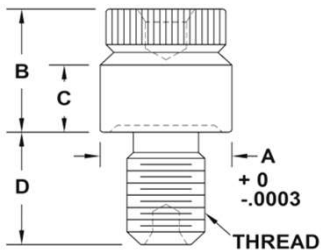
**UNIFIED  
SERIES  
(CONTINUED)**



PART NUMBER	THREAD	A	B	C	D
1TP3732	3/8 - 32 UNEF	.5000	.50	.33	.30
1TP3756	3/8 - 56 UN	.5000	.50	.33	.30
1TP4314	7/16 - 14 UNC	.5500	.50	.33	.35
1TP4320	7/16 - 20 UNF	.5500	.50	.33	.35
1TP4324	7/16 - 24 UNS	.5500	.50	.33	.35
1TP4332	7/16 - 32 UN	.5500	.50	.33	.35
1TP5013	1/2 - 13 UNC	.6200	.50	.33	.40
1TP5020	1/2 - 20 UNF	.6200	.50	.33	.40
1TP5028	1/2 - 28 UNEF	.6200	.50	.33	.40
1TP5032	1/2 - 32 UN	.6200	.50	.33	.40
1TP5612	9/16 - 12 UNC	.6800	.50	.33	.45
1TP5618	9/16 - 18 UNF	.6800	.50	.33	.45
1TP5620	9/16 - 20 UN	.6800	.50	.33	.45
1TP5624	9/16 - 24 UNEF	.6800	.50	.33	.45
1TP5632	9/16 - 32 UN	.6800	.50	.33	.45
1TP6211	5/8 - 11 UNC	.7500	.60	.43	.40
1TP6216	5/8 - 16 UN	.7500	.60	.43	.40
1TP6218	5/8 - 18 UNF	.7500	.60	.43	.40
1TP6220	5/8 - 20 UN	.7500	.60	.43	.40
1TP6224	5/8 - 24 UNEF	.7500	.60	.43	.40
1TP6232	5/8 - 32 UN	.7500	.60	.43	.40
1TP6811	11/16 - 11 UNC	.8700	.60	.43	.50
1TP6816	11/16 - 16 UN	.8700	.60	.43	.50
1TP6820	11/16 - 20 UN	.8700	.60	.43	.50
1TP6824	11/16 - 24 UNEF	.8700	.60	.43	.50
1TP6832	11/16 - 32 UN	.8700	.60	.43	.50
1TP7510	3/4 - 10 UNC	.8700	.60	.43	.50
1TP7516	3/4 - 16 UNF	.8700	.60	.43	.50
1TP7518	3/4 - 18 UNS	.8700	.60	.43	.50
1TP7520	3/4 - 20 UNEF	.8700	.60	.43	.50
1TP7524	3/4 - 24 UNS	.8700	.60	.43	.50
1TP7528	3/4 - 28 UN	.8700	.60	.43	.50
1TP8116	13/16 - 16 UNF	.9300	.60	.43	.50
1TP8120	13/16 - 20 UNEF	.9300	.60	.43	.50
1TP8709	7/8 - 9 UNC	1.0000	.60	.43	.50
1TP8714	7/8 - 14 UNF	1.0000	.60	.43	.50
1TP8716	7/8 - 16 UN	1.0000	.60	.43	.50
1TP8718	7/8 - 18 UNS	1.0000	.60	.43	.50
1TP8720	7/8 - 20 UNEF	1.0000	.60	.43	.50
1TP8728	7/8 - 28 UN	1.0000	.60	.43	.50
1TP8732	7/8 - 32 UN	1.0000	.60	.43	.50
1TP9309	15/16 - 9 UNS	1.1000	.60	.43	.50
1TP9312	15/16 - 12 UN	1.1000	.60	.43	.50
1TP9316	15/16 - 16 UN	1.1000	.60	.43	.50
1TP9320	15/16 - 20 UNEF	1.1000	.60	.43	.50
1TP10008	1" - 8 UNC	1.2000	.80	.60	.60
1TP10012	1" - 12 UNF	1.2000	.80	.60	.60
1TP10014	1" - 14 UNS	1.2000	.80	.60	.60
1TP10016	1" - 16 UN	1.2000	.80	.60	.60
1TP10020	1" - 20 UNEF	1.2000	.80	.60	.60
1TP10028	1" - 28 UN	1.2000	.80	.60	.60

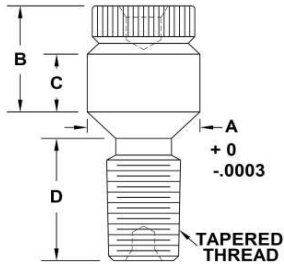
Continued on next page

**UNIFIED  
SERIES  
(CONTINUED)**



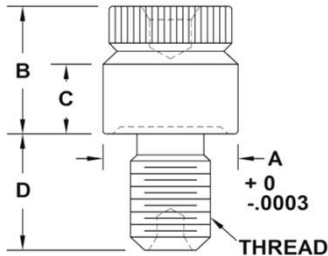
PART NUMBER	THREAD	A	B	C	D
1TP1.0612	1-1/16 - 12 UN	1.2400	.80	.60	.60
1TP1.0616	1-1/16 - 16 UN	1.2400	.80	.60	.60
1TP1.0618	1-1/16 - 18 UNEF	1.2400	.80	.60	.60
1TP1.0620	1-1/16 - 20 UN	1.2400	.80	.60	.60
1TP1.1207	1-1/8 - 7 UNC	1.3200	.90	.65	.80
1TP1.1208	1-1/8 - 8 UN	1.3200	.90	.65	.80
1TP1.1212	1-1/8 - 12 UNF	1.3200	.90	.65	.80
1TP1.1216	1-1/8 - 16 UN	1.3200	.90	.65	.80
1TP1.1218	1-1/8 - 18 UNEF	1.3200	.90	.65	.80
1TP1.1812	1-3/16 - 12 UN	1.3800	1.00	.70	.83
1TP1.1816	1-3/16 - 16 UN	1.3800	1.00	.70	.83
1TP1.1818	1-3/16 - 18 UNEF	1.3800	1.00	.70	.83
1TP1.1820	1-3/16 - 20 UN	1.3800	1.00	.70	.83
1TP1.1824	1-3/16 - 24 UN	1.3800	1.00	.70	.83
1TP1.2507	1-1/4 - 7 UNC	1.4500	1.06	.70	.90
1TP1.2508	1-1/4 - 8 UN	1.4500	1.06	.70	.90
1TP1.2512	1-1/4 - 12 UNF	1.4500	1.06	.70	.90
1TP1.2518	1-1/4 - 18 UNEF	1.4500	1.06	.70	.90
1TP1.2520	1-1/4 - 20 UN	1.4500	1.06	.70	.90
1TP1.3112	1-5/16 - 12 UN	1.5000	1.06	.70	.90
1TP1.3116	1-5/16 - 16 UN	1.5000	1.06	.70	.90
1TP1.3118	1-5/16 - 18 UNEF	1.5000	1.06	.70	.90
1TP1.3120	1-5/16 - 20 UN	1.5000	1.06	.70	.90
1TP1.3706	1-3/8 - 6 UN	1.5500	1.06	.70	.90
1TP1.3708	1-3/8 - 8 UN	1.5500	1.06	.70	.90
1TP1.3712	1-3/8 - 12 UNF	1.5500	1.06	.70	.90
1TP1.3716	1-3/8 - 16 UN	1.5500	1.06	.70	.90
1TP1.3718	1-3/8 - 18 UNEF	1.5500	1.06	.70	.90
1TP1.3728	1-3/8 - 28 UN	1.5500	1.06	.70	.90
1TP1.4316	1-7/16 - 16 UN	1.6400	1.08	.70	.90
1TP1.4318	1-7/16 - 18 UNEF	1.6400	1.08	.70	.90
1TP1.5006	1-1/2 - 6 UNC	1.7200	1.10	.70	.90
1TP1.5008	1-1/2 - 8 UN	1.7200	1.10	.70	.90
1TP1.5012	1-1/2 - 12 UNF	1.7200	1.10	.70	.90
1TP1.5016	1-1/2 - 16 UN	1.7200	1.10	.70	.90
1TP1.5018	1-1/2 - 18 UNEF	1.7200	1.10	.70	.90
1TP1.5616	1-9/16 - 16 UN	1.7800	1.10	.70	.90
1TP1.5620	1-9/16 - 20 UN	1.7800	1.10	.70	.90
1TP1.6208	1-5/8 - 8 UN	1.8500	1.10	.70	.90
1TP1.6212	1-5/8 - 12 UN	1.8500	1.10	.70	.90
1TP1.6216	1-5/8 - 16 UN	1.8500	1.10	.70	.90
1TP1.6218	1-5/8 - 18 UNEF	1.8500	1.10	.70	.90
1TP1.7512	1-3/4 - 12 UN	2.0000	1.10	.70	.90
1TP1.7518	1-3/4 - 18 UNS	2.0000	1.10	.70	.90
1TP1.8116	1-13/16 - 16 UN	2.0500	1.10	.70	.90
1TP1.8712	1-7/8 - 12 UNS	2.1000	1.10	.70	.90
1TP2.0008	2 - 8 UN	2.2200	1.20	.80	.90
1TP2.0016	2 - 16 UN	2.2200	1.20	.80	.90
1TP2.2512	2-1/4 - 12 UN	2.4700	1.40	1.00	1.00

**TAPERED  
UNIFIED  
SERIES**



	PART NUMBER	THREAD	A	B	C	D	
	1TP0080 - T	0 - 80 UNF	.1700	.25	.16	.13	
	1TP0172 - T	1 - 72 UNF	.1700	.25	.16	.17	
	1TP0256 - T	2 - 56 UNC	.1700	.25	.17	.19	
	1TP0348 - T	3 - 48 UNC	.2000	.25	.17	.20	
	1TP0440 - T	4 - 40 UNC	.2000	.25	.17	.23	
	1TP0448 - T	4 - 48 UNF	.2000	.25	.17	.207	
	1TP0540 - T	5 - 40 UNF	.2500	.35	.17	.24	
	1TP0544 - T	5 - 44 UNF	.2500	.25	.17	.24	
	1TP0632 - T	6 - 32 UNC	.2500	.25	.17	.26	
	1TP0640 - T	6 - 40 UNF	.2500	.25	.17	.26	
	1TP0832 - T	8 - 32 UNC	.2500	.35	.21	.29	
	1TP0856 - T	8 - 56 UNS	.2500	.35	.21	.19	
	1TP1024 - T	10 - 24 UNC	.3100	.35	.21	.36	
	1TP1032 - T	10 - 32 UNF	.3100	.35	.21	.29	
	1TP1040 - T	10 - 40 UNS	.3100	.35	.21	.25	
	1TP1228 - T	12 - 28 UNF	.3600	.38	.23	.27	
	1TP1232 - T	12 - 32 UNEF	.3600	.38	.23	.27	
	1TP1236 - T	12 - 36 UNS	.3600	.38	.23	.27	
	1TP2520 - T	1/4 - 20 UNC	.4000	.40	.25	.44	
	1TP2528 - T	1/4 - 28 UNF	.4000	.40	.25	.35	
	1TP2532 - T	1/4 - 32 UNEF	.4000	.40	.25	.32	
	1TP3118 - T	5/16 - 18 UNC	.4000	.40	.25	.47	
	1TP3124 - T	5/16 - 24 UNF	.4000	.40	.25	.37	
	1TP3716 - T	3/8 - 16 UNC	.5000	.50	.33	.53	
	1TP3724 - T	3/8 - 24 UNF	.5000	.50	.33	.37	
	1TP3732 - T	3/8 - 32 UNEF	.5000	.50	.33	.37	
	1TP4314 - T	7/16 - 14 UNC	.5500	.50	.33	.58	
	1TP4320 - T	7/16 - 20 UNF	.5500	.50	.33	.41	
	1TP4324 - T	7/16 - 24 UNS	.5500	.50	.33	.39	
	1TP4328 - T	7/16 - 28 UNEF	.5500	.50	.33	.38	
	1TP5013 - T	1/2 - 13 UNC	.6200	.50	.33	.64	
	1TP5020 - T	1/2 - 20 UNF	.6200	.50	.33	.49	
	1TP5612 - T	9/16 - 12 UN	.6800	.50	.33	.61	
	1TP5618 - T	9/16 - 18 UNF	.6800	.50	.33	.49	
	1TP5624 - T	9/16 - 24 UNEF	.6800	.50	.33	.36	
	1TP6218 - T	5/8 - 18 UNF	.7500	.60	.43	.48	
	1TP6224 - T	5/8 - 24 UNEF	.7500	.60	.43	.40	
	1TP7510 - T	3/4 - 10 UNC	.8700	.60	.43	.73	
	1TP7516 - T	3/4 - 16 UNF	.8700	.60	.43	.54	
	1TP7524 - T	3/4 - 24 UNS	.8700	.60	.43	.53	
	1TP8116 - T	13/16 - 16 UN	.9300	.60	.43	.52	
	1TP8120 - T	13/16 - 20 UNEF	.9300	.60	.43	.44	
	1TP8714 - T	7/8 - 14 UNF	1.0000	.60	.43	.60	
	1TP8720 - T	7/8 - 20 UNEF	1.0000	.60	.43	.46	
	1TP9316 - T	15/16 - 16 UN	1.1000	.60	.43	.56	
	1TP1.0012 - T	1-12 UNF	1.2000	.80	.60	.67	
	1TP1.0612 - T	1-1/16 - 12 UN	1.2400	.80	.60	.67	
	1TP1.0618 - T	1-1/16 - 18 UNEF	1.2400	.80	.60	.50	
	1TP1.1212 - T	1-1/8 - 12 UNF	1.3200	.90	.65	.68	
	1TP1.1812 - T	1-3/16 - 12 UN	1.3800	1.00	.70	.74	
	1TP1.2512 - T	1-1/4 - 12 UNF	1.4500	1.06	.70	.67	
	1TP1.5012 - T	1-1/2 - 12 UNF	1.7200	1.10	.70	.74	

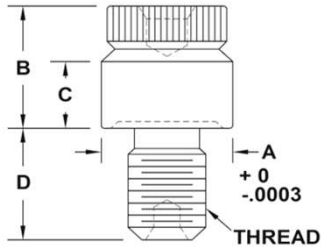
**METRIC  
SERIES**



	PART NUMBER	THREAD	A	B	C	D	
	MTPM0.8 - .2	M0.8 x .2	.1500	.25	.16	.10	
	MTPM1.6 - .20	M1.6 X 0.20	.1700	.25	.16	.15	
	MTPM1.6 - .35	M1.6 X 0.35	.1700	.25	.16	.15	
	MTPM1.8	M1.8 X 0.35	.1700	.25	.16	.15	
	MTPM2	M2 X 0.4	.1700	.25	.16	.15	
	MTPM2 - .25	M2 X 0.25	.1700	.25	.16	.15	
	MTPM2.2	M2.2 X 0.45	.1700	.25	.16	.15	
	MTPM2.5	M2.5 X 0.45	.2000	.25	.17	.15	
	MTPM2.6 - .45	M2.6 X 0.45	.2000	.25	.17	.15	
	MTPM3	M3 X 0.5	.2000	.25	.17	.15	
	MTPM3 - .35	M3 X 0.35	.2000	.25	.17	.15	
	MTPM3.5	M3.5 X 0.6	.2500	.25	.17	.18	
	MTPM4	M4 X 0.7	.2500	.35	.21	.18	
	MTPM4 - .5	M4 X 0.5	.2500	.35	.21	.18	
	MTPM4.5 - .75	M4.5 X 0.75	.2800	.35	.21	.19	
	MTPM5	M5 X 0.8	.3100	.35	.21	.20	
	MTPM5 - .5	M5 X 0.5	.3100	.35	.21	.20	
	MTPM6	M6 X 1.0	.4000	.40	.25	.25	
	MTPM6 - .5	M6 X 0.5	.4000	.40	.25	.25	
	MTPM6 - .75	M6 X 0.75	.4000	.40	.25	.25	
	MTPM6.5	M6.5 X 1.0	.4000	.40	.25	.25	
	MTPM7	M7 X 1.0	.4000	.40	.25	.25	
	MTPM8	M8 X 1.25	.4000	.40	.25	.25	
	MTPM8 - .5	M8 X 0.5	.4000	.40	.25	.25	
	MTPM8-.75	M8 X 0.75	.4000	.40	.25	.25	
	MTPM8 - 1	M8 X 1.0	.4000	.40	.25	.25	
	MTPM8 - 1.5	M8 X 1.5	.4000	.40	.25	.25	
	MTPM9	M9 X 1.25	.5000	.50	.33	.30	
	MTPM10	M10 X 1.5	.5000	.50	.33	.30	
	MTPM10 - .5	M10 X 0.5	.5000	.50	.33	.30	
	MTPM10 - 1	M10 X 1.0	.5000	.50	.33	.30	
	MTPM10 - 1.25	M10 X 1.25	.5000	.50	.33	.30	
	MTPM11	M11 X 2.0	.5500	.50	.33	.35	
	MTPM11 - 1.5	M11 X 1.5	.5000	.50	.33	.35	
	MTPM12	M12 X 1.75	.6200	.50	.33	.40	
	MTPM12 - .75	M12 X 0.75	.6200	.50	.33	.40	
	MTPM12 - 1	M12 X 1.0	.6200	.50	.33	.40	
	MTPM12 - 1.25	M12 X 1.25	.6200	.50	.33	.40	
	MTPM12 - 1.5	M12 X 1.5	.6200	.50	.33	.40	
	MTPM13	M13 X 1.5	.6200	.50	.33	.40	
	MTPM14	M14 X 2.0	.6800	.60	.43	.40	
	MTPM14 - 1	M14 X 1.0	.6800	.60	.43	.40	
	MTPM14 - 1.25	M14 X 1.25	.6800	.60	.43	.40	
	MTPM14 - 1.5	M14 X 1.5	.6800	.60	.43	.40	
	MTPM15 - 1.5	M15 X 1.5	.6800	.60	.43	.40	
	MTPM15 - 2.0	M15 X 2.0	.6800	.60	.43	.40	

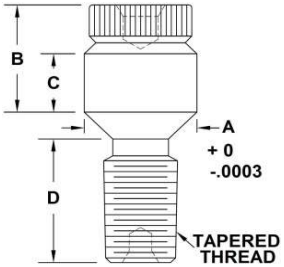
Continued on next page

**METRIC  
SERIES  
(CONTINUED)**



PART NUMBER	THREAD	A	B	C	D	
MTPM16	M16 X 2.0	.7500	.60	.43	.40	\$130.00
MTPM16 - 1	M16 X 1.0	.7500	.60	.43	.40	
MTPM16 - 1.5	M16 X 1.5	.7500	.60	.43	.40	
MTPM17	M17 X 1.0	.8400	.60	.43	.40	
MTPM17 - 1.5	M17 X 1.5	.8400	.60	.43	.40	
MTPM18	M18 X 2.5	.8700	.60	.43	.45	
MTPM18 - 1.0	M18 X 1.0	.8700	.60	.43	.45	
MTPM18 - 1.25	M18 X 1.25	.8700	.60	.43	.45	
MTPM18 - 1.5	M18 X 1.5	.8700	.60	.43	.45	
MTPM20	M20 X 2.5	.9300	.60	.43	.50	
MTPM20 - 1	M20 X 1.0	.9300	.60	.43	.50	
MTPM20 - 1.5	M20 X 1.5	.9300	.60	.43	.50	
MTPM22 - 1.5	M22 X 1.5	1.0200	.60	.43	.50	
MTPM22 - 2.5	M22 X 2.5	1.0200	.60	.43	.50	
MTPM24 - 1	M24 X 1.0	1.1000	.60	.43	.50	
MTPM24 - 1.5	M24 X 1.5	1.1000	.60	.43	.50	
MTPM24 - 2	M24 X 2.0	1.1000	.60	.43	.50	
MTPM24 - 3	M24 X 3.0	1.1000	.60	.43	.50	
MTPM25 - 1.5	M25 X 1.5	1.2000	.80	.60	.60	
MTPM26 - 1.5	M26 X 1.5	1.2300	.80	.60	.60	
MTPM27 - 1.5	M27 X 1.5	1.2400	.80	.60	.60	
MTPM27 - 2	M27 X 2.0	1.2400	.80	.60	.60	
MTPM28 - 1	M28 X 1.0	1.2800	.90	.65	.80	
MTPM30 - 1.5	M30 X 1.5	1.3800	1.00	.70	.83	
MTPM30 - 2	M30 X 2.0	1.3800	1.00	.70	.83	
MTPM30	M30 X 3.5	1.3800	1.00	.70	.83	
MTPM33 - 1.5	M33 X 1.5	1.5000	1.06	.70	.90	
MTPM33 - 2	M33 X 2.0	1.5000	1.06	.70	.90	
MTPM36 - 1.5	M36 X 1.5	1.6100	1.06	.70	.90	
MTPM36 - 2	M36 X 2.0	1.6100	1.06	.70	.90	
MTPM36 - 4	M36 X 4.0	1.6100	1.06	.70	.90	
MTPM38 - 1.5	M38 X 1.5	1.7200	1.10	.70	.90	
MTPM38 - 2.0	M38 X 2.0	1.7200	1.10	.70	.90	
MTPM39 - 2	M39 x 2.0	1.7800	1.10	.70	.90	
MTPM40 - 1	M40 X 1.0	1.8000	1.10	.70	.90	
MTPM42 - 2	M42 X 2.0	1.8500	1.10	.75	.90	

**TAPERED  
METRIC  
SERIES**



PART NUMBER	THREAD	A	B	C	D
MTPM1.6 - .35 - T	M1.6 X 0.35	.1700	.25	.16	.17
MTPM2 - T	M2 X 0.4	.1700	.25	.16	.17
MTPM2.5 - T	M2.5 X 0.45	.2000	.25	.17	.22
MTPM3 - T	M3 X 0.5	.2000	.25	.17	.24
MTPM3.5 - T	M3.5 X 0.6	.2500	.25	.17	.28
MTPM4 - T	M4 X 0.7	.2500	.35	.21	.32
MTPM5 - T	M5 X 0.8	.3100	.35	.21	.34
MTPM6 - T	M6 X 1.0	.4000	.40	.25	.42
MTPM7 - T	M7 X 1.0	.4000	.40	.25	.41
MTPM8 - T	M8 X 1.25	.4000	.40	.25	.48
MTPM8 - .75 - T	M8 X 0.75	.4000	.40	.25	.33
MTPM8 - 1 - T	M8 X 1.0	.4000	.40	.25	.41
MTPM8 - 1.5 - T	M8 X 1.5	.4000	.40	.25	.54
MTPM10 - T	M10 X 1.5	.5000	.50	.33	.56
MTPM10 - 1 - T	M10 X 1.0	.5000	.50	.33	.44
MTPM10 - 1.25 - T	M10 X 1.25	.5000	.50	.33	.49
MTPM12 - T	M12 X 1.75	.6200	.50	.33	.60
MTPM12 - 1 - T	M12 X 1.0	.6200	.50	.33	.43
MTPM12 - 1.25 - T	M12 X 1.25	.6200	.50	.33	.52
MTPM12 - 1.5 - T	M12 X 1.5	.6200	.50	.33	.58
MTPM13 - T	M13 X 1.5	.6200	.50	.33	.53
MTPM14 - T	M14 X 2.0	.6800	.60	.43	.69
MTPM14 - 1.25 - T	M14 X 1.25	.6800	.60	.43	.48
MTPM14 - 1.5 - T	M14 X 1.5	.6800	.60	.43	.55
MTPM15 - T	M15 X 1.0	.7100	.60	.43	.44
MTPM16 - T	M16 X 2.0	.7500	.60	.43	.68
MTPM16 - 1 - T	M16 X 1.0	.7500	.60	.43	.41
MTPM16 - 1.5 - T	M16 X 1.5	.7500	.60	.43	.54
MTPM18 - 1.5 - T	M18 X 1.5	.8700	.60	.43	.57
MTPM20 - 1.5 - T	M20 X 1.5	.9300	.60	.43	.55
MTPM22 - 1.5 - T	M22 X 1.5	1.0200	.60	.43	.56
MTPM24 - 1.5 - T	M24 X 1.5	1.1000	.60	.43	.58
MTPM26 - 1.5 - T	M26 X 1.5	1.2300	.80	.60	.61
MTPM33 - 2 - T	M33 X 2.0	1.5000	1.06	.70	.74
MTPM33 - 3.5 - T	M33 X 3.5	1.5000	1.06	.70	1.06
MTPM36 - 1.5 - T	M36 X 1.5	1.6100	1.06	.70	.90



	PART NUMBER	THREAD	A	B	C	D	
<b>HELI-COIL® SERIES</b>  <i>NOTE: Intended for use prior to installation of Heli-Coil inserts.</i>	HTP0256	2 - 56 UNC	.2000	.25	.17	.15	\$109.00
	HTP0348	3 - 48 UNC	.2000	.25	.17	.15	
	HTP0440	4 - 40 UNC	.2500	.25	.17	.18	
	HTP0632	6 - 32 UNC	.3000	.34	.20	.20	
	HTP0640	6 - 40 UNF	.3000	.34	.20	.20	
	HTP0832	8 - 32 UNC	.3000	.34	.20	.20	
	HTP0836	8 - 36 UNF	.3000	.34	.20	.20	
	HTP1024	10 - 24 UNC	.4000	.40	.25	.25	
	HTP1032	10 - 32 UNF	.4000	.40	.25	.25	
	HTP2520	1/4 - 20 UNC	.4000	.40	.25	.25	
	HTP2528	1/4 - 28 UNF	.4000	.40	.25	.25	
	HTP3118	5/16 - 18 UNC	.5000	.50	.33	.30	
	HTP3124	5/16 - 24 UNF	.5000	.50	.33	.30	
	HTP3716	3/8 - 16 UNC	.6200	.50	.33	.40	
	HTP3724	3/8 - 24 UNF	.6200	.50	.33	.40	
	HTP4314	7/16 - 14 UNC	.6200	.50	.33	.40	
	HTP4320	7/16 - 20 UNF	.6200	.50	.33	.40	
	HTP5013	1/2 - 13 UNC	.7000	.60	.43	.40	
	HTP5020	1/2 - 20 UNF	.7000	.60	.43	.40	
	HTP5612	9/16 - 12 UN	.8000	.60	.43	.50	
HTP7510	3/4 - 10 UNC	1.0000	.60	.43	.50		
<b>TAPERED HELI-COIL® SERIES</b>	HTP0256 - T	2 - 56 UNC	.2000	.25	.17	.16	
	HTP0440-T	4 - 40 UNC	.2500	.25	.17	.21	
	HTP0632-T	6 - 32 UNC	.3000	.34	.20	.27	
	HTP1032 - T	10 - 32 UNF	.4000	.40	.25	.27	
	HTP2528 - T	1/4 - 28 UNF	.4000	.40	.25	.32	
	HTP3724 - T	3/8 - 24 UNF	.6200	.50	.33	.40	
<b>METRIC HELI-COIL® SERIES</b>	HTPM2	M2 X 0.4	.2000	.25	.17	.15	
	HTPM2.5	M2.5 X 0.45	.2000	.25	.17	.15	
	HTPM3 - .5	M3 X 0.5	.2500	.35	.21	.18	
	HTPM4	M4 X 0.7	.3100	.35	.21	.20	
	HTPM5 - .8	M5 X 0.8	.4000	.40	.25	.25	
	HTPM6 - 1	M6 X 1.0	.4000	.40	.25	.25	
	HTPM8	M8 X 1.0	.5000	.50	.33	.30	
	HTPM8 - 1.25	M8 X 1.25	.5000	.50	.33	.30	
	HTPM10	M10 X 1.5	.6200	.50	.33	.40	
	HTPM12	M12 X 1.75	.6800	.50	.33	.45	
	HTPM14	M14 X 2.00	.7500	.60	.43	.50	
	HTPM16	M16 X 2.00	.8600	.60	.43	.50	
HTPM27-2	M27 X 2.00	1.3800	1.00	.70	.73		

	PART NUMBER	THREAD	A	B	C	D	
<b>NPT PIPE THREAD SERIES</b>	PTP0627	1/16 - 27 NPT	.3300	.35	.21	.30	
	PTP1227	1/8 - 27 NPT	.4200	.42	.27	.30	
	PTP2518	1/4 - 18 NPT	.6000	.50	.33	.42	
	PTP3718	3/8 - 18 NPT	.7000	.60	.43	.43	
	PTP5014	1/2 - 14 NPT	.8700	.60	.43	.62	
	PTP7514	3/4 - 14 NPT	1.0800	.65	.48	.64	
	PTP1.011.5	1 - 11-1/2 NPT	1.3500	.80	.60	.80	
	PTP1.2511.5	1-1/4 - 11-1/2 NPT	1.7100	.90	.70	.81	
PTP1.5011.5	1-1/2 - 11-1/2 NPT	1.8200	1.00	.80	.82		
<b>NPSF PIPE THREAD SERIES (STRAIGHT)</b>	PTP0627NPSF	1/16 - 27 NPSF	.4000	.40	.25	.25	
	PTP1227NPSF	1/8 - 27 NPSF	.5000	.50	.33	.30	
	PTP2518NPSF	1/4 - 18 NPSF	.6500	.55	.38	.36	
	PTP3718NPSF	3/8 - 18 NPSF	.8000	.60	.43	.43	
	PTP5014NPSF	1/2 - 14 NPSF	.9300	.60	.43	.50	
<b>NPTF PIPE THREAD SERIES (TAPERED)</b>	PTP0627NPTF	1/16 - 27 NPTF	.3300	.35	.21	.30	
	PTP1227	1/8 - 27 NPTF	.4200	.42	.27	.30	
	PTP2518	1/4 - 18 NPTF	.6000	.50	.33	.42	
	PTP3718	3/8 - 18 NPTF	.7000	.60	.43	.43	
	PTP5014	1/2 - 14 NPTF	.8700	.60	.43	.62	
	PTP7514	3/4 - 14 NPTF	1.0800	.65	.48	.64	
	PTP1.011.5	1 - 11-1/2 NPTF	1.3500	.80	.60	.80	
	PTP1.2511.5	1-1/4 - 11-1/2 NPTF	1.7100	.90	.70	.81	
PTP1.5011.5	1-1/2 - 11-1/2 NPTF	1.8200	1.00	.80	.82		
<b>BRITISH PIPE THREAD SERIES (STRAIGHT)</b>	BSPP-0125	G 1/8 x 28	.5000	.50	.33	.30	
	BSPP-0250	G 1/4 x 19	.6200	.50	.33	.40	
	BSPP-0375	G 3/8 x 19	.8000	.60	.43	.43	
	BSPP-0500	G 1/2 x 14	.9600	.60	.43	.50	
	BSPP-0750	G 3/4 x 14	1.2000	.80	.60	.60	
	BSPP-1000	G 1 x 11	1.5000	1.06	.70	.90	
	BSPP-1250	G 1-1/4 x 11	1.8500	1.10	.70	.90	
	BSPP-1500	G 1-1/2 x 11	2.1000	1.00	.70	.90	
<b>BRITISH PIPE THREAD SERIES (TAPERED)</b>	BSPT-0125	R- 1/8 x 28	.4200	.42	.27	.30	
	BSPT-0375	R- 3/8 x 19	.7000	.60	.43	.46	

**TRUE POSITION LOCATORS**  
**TRU-POS**™  
The Most Accurate Way to Measure the Position of a Tapped Hole



---

---

Have a requirement for an unusual thread size or head configuration? Don't hesitate to call - we may have it in stock! If not, we can manufacture to your specifications. Call for a prompt quotation.

---

---

**AVAILABILITY:** Stock sizes available for immediate delivery. No minimum order is required. Specials can be produced to your specifications.

**PACKAGING:** Quantities of 5 or more will be shipped in a hardwood box at no additional charge.

A **Certificate of Compliance** is available, if requested at time order is placed, at an additional charge of \$10.00 per item or \$50.00 per lot.

**CERTIFICATION:** A **Certificate of Calibration** is available, if requested at time order is placed, at an additional charge of \$20.00 per item.

Via U.P.S. unless otherwise requested.  
Prices do not include shipping.

Willrich Precision

866-945-5742

sales@willrich.com