

Quickmike

Willrich Precision

Ph 866-945-5742 email: sales@willrich.com

SERIES 293 — IP-54 ABSOLUTE Digimatic Micrometers

The Quickmike provides a speedy spindle feed of 10mm / .4" per thimble rotation as compared to the conventional micrometer with 0.5mm / .025" per rotation. Its wide 30mm / 1.2" measuring range allows various workpieces with different shapes to be measured quickly.

FEATURES

- Non-rotating spindle and the new ratchet friction thimble.
- Speedy spindle feed by 10mm/rev and .4"/rev for inch/metric models.
- With absolute linear scale.
- IP54 dust/water protection (when not connected with data output cable).
- With SPC data output.
- With a standard bar to set the origin point (for models with a range over 30mm / 1.2").
- Supplied in fitted plastic case.



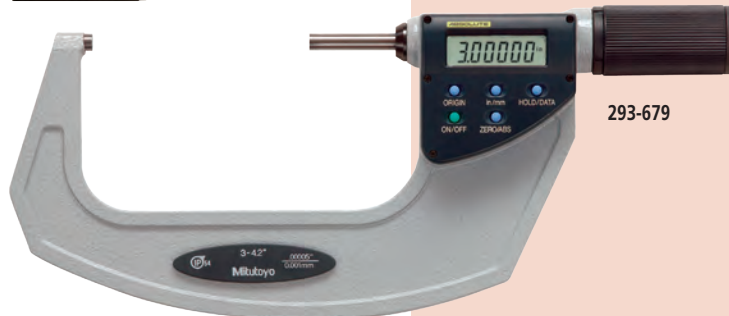
293-676



293-677



293-678



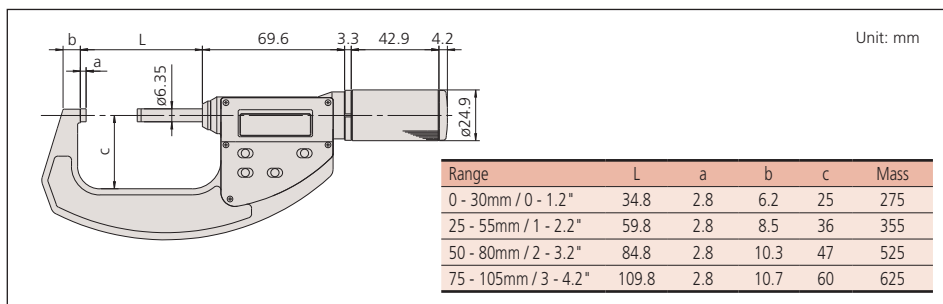
293-679

SPECIFICATIONS

Metric			
Range	Resolution	Order No.	Accuracy
0 - 30mm	0.001mm	293-666	±2µm
25 - 55mm	0.001mm	293-667	±2µm
50 - 80mm	0.001mm	293-668	±3µm
75 - 105mm	0.001mm	293-669	±3µm

Inch/Metric			
Range	Resolution	Order No.	Accuracy
0 - 1.2" / 0 - 30.48mm	.00005" / 0.001mm	293-676	±.0001"
1" - 2.2" / 25.4 - 55.88mm	.00005" / 0.001mm	293-677	±.0001"
2" - 3.2" / 50.8 - 81.28mm	.00005" / 0.001mm	293-678	±.00015"
3" - 4.2" / 76.2 - 106.68mm	.00005" / 0.001mm	293-679	±.00015"

DIMENSIONS AND MASS



SPC

IP54

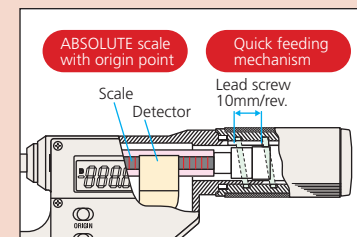
ABSOLUTE®
Absolute System Patented by MITUTOYO

Technical Data

Accuracy: Refer to the list of specifications.
Resolution: 0.001mm or .00005"/0.001mm
Flatness: 0.3µm / .000012"
Parallelism: 2µm / .00008" for models up to 80mm / 3.2"
3µm / .00012" for models up to 105mm / 4.2"
Measuring faces: Carbide tipped
Display: LCD
Battery: SR44 (1 pc.), 938882
Battery life: Approx. 3 years under normal use
(1 year for models over 30mm / 1.2")
Dust/Water protection level: IP54

Function

Origin, Hold / Data, ON/OFF, Zero / ABS,
inch/mm conversion (on inch/metric models only)
Alarm: Low voltage, Counting value composition error



Optional Accessories

937387: SPC cable (1m / 40")
965013: SPC cable (2m / 80")