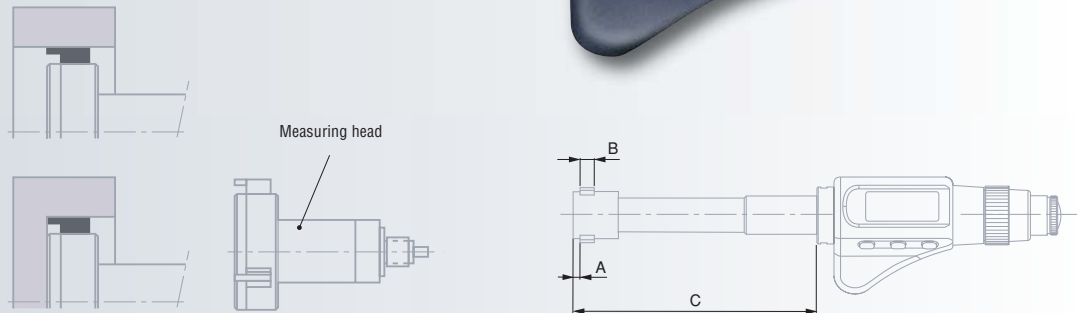


INTERNAL MICROMETERS

# TESA ALESOMETER *capa μ* system with Digital Display

Fitted with a TESA patented capacitive measuring system

Bore gauges with 3-line contact. All TESA ALESOMETER are made to measure through and blind bores as well as short centring shoulders, except for the models covering the application range from 6 to 10 mm.



## Single Bore Gauges, Complete

No	mm		in		μm		μm		
	mm	in	μm	μm	A mm*	B mm	C mm		
06230051	6 ÷ 8	0.2362 ÷ 0.3150	4	4	1,2	3	55		
06230052	8 ÷ 10	0.3150 ÷ 0.3970	4	4	1,2	3	55		
06230023	10 ÷ 12,5	0.3970 ÷ 0.4921	4	4	0,3	6,5	65		
06230024	12,5 ÷ 15	0.4921 ÷ 0.5905	4	4	0,3	6,5	65		
06230025	15 ÷ 17,5	0.5905 ÷ 0.6890	4	4	0,3	6,8	65		
06230026	17,5 ÷ 20	0.6890 ÷ 0.7874	4	4	0,3	6,8	95		
06230027	20 ÷ 25	0.7874 ÷ 0.9843	4	4	0,3	8,5	100		
06230028	25 ÷ 30	0.9843 ÷ 1.1811	4	4	0,3	8,5	100		
06230029	30 ÷ 35	1.1811 ÷ 1.3780	4	4	0,3	8,5	100		
06230030	35 ÷ 40	1.3780 ÷ 1.5748	4	4	0,3	8,5	100		
06230031	40 ÷ 50	1.5748 ÷ 1.9685	4	4	0,3	14,5	140		
06230032	50 ÷ 60	1.9685 ÷ 2.3622	5	5	0,3	14,5	140		
06230033	60 ÷ 70	2.3622 ÷ 2.7560	5	5	0,3	14,5	140		
06230034	70 ÷ 85	2.7560 ÷ 3.3465	5	5	0,3	14,5	140		
06230035	85 ÷ 100	3.3465 ÷ 3.9370	5	5	0,3	14,5	140		
06230036	100 ÷ 125	3.9370 ÷ 4.9212	6	6	0,3	30	175		
06230037	125 ÷ 150	4.9212 ÷ 5.9055	6	6	0,3	30	175		
06230038	150 ÷ 175	5.9055 ÷ 6.8897	7	7	0,3	30	175		
06230039	175 ÷ 200	6.8897 ÷ 7.8740	7	7	0,3	30	175		
06230040	200 ÷ 225	7.8740 ÷ 8.8582	8	8	0,3	30	175		
06230041	225 ÷ 250	8.8582 ÷ 9.8425	8	8	0,3	30	175		
06230042	250 ÷ 275	9.8425 ÷ 10.8267	8	8	0,3	30	175		
06230043	275 ÷ 300	10.8267 ÷ 11.8110	8	8	0,3	30	175		

### Optional Accessory

**01961000** 1 Lithium battery 3 V, 190 mAh, type CR 2032

\* Not applicable for models from 10 mm since the measuring inserts are close to the micrometer front face. For ordering information on setting rings, see both pages D-12 and D-17, or report to page D-10 for storage cases or to section A for connecting cables and the like.



DIN 863 T4. Style C1 for models 6 to 10 mm or style C2 for all other models

0,001 mm 0.00005 in

Metric/inch conversion

LCD, digit height 7 mm

Floating zero

Display lock

Measuring inserts for application range 6 to 10 mm: steel, hardened to HV30 550. 10 to 300: tungsten carbide tipped, HRC ≥ 70.

RS 232 opto-coupled, bidirectional

3 V lithium battery

1 to 2 a (≈ 2000 h/a)

Automatic shut down after 10 min. Display setting is retained as long as power supply remains stable.

10 °C to 40 °C

-10 °C to 60 °C

80%, non condensing



For the measuring element IP54 (IEC 60529) or IP40 with active data output

≤ 100 mm in a plastic case > 100 mm in a wooden case

Identification number

Inspection report with a declaration of conformity

# TESA ALESOMETER *capa μ* system with Digital Display

## Partial Sets plus Components



Fitted with TESA patented capacitive measuring system

Models that cover the application range from 6 to 10 mm can only measure through bores – All other partial sets also allow blind bores as well as short centring shoulders to be inspected.



✓



DIN 863 T4.  
Style C1  
for models  
6 to 10 mm or C2 for  
all other models



0,001 mm  
0.00005 in



Measuring inserts  
for application  
range  
6 to 10 mm: steel,  
hardened to HV30 550.  
10 to 300: tungsten carbide  
tipped to HRC ≥ 70.



For additional  
technical data,  
see on page D-9  
or D-12 for setting rings.



≤ 100 mm in a  
plastic case,  
> 100 mm in a  
wooden case



Identification  
number



Inspection report  
with a declaration  
of conformity

No	mm	No	mm	No	No	No	mm	No
Partial sets including		Measuring heads		Connectors	Measuring elements	Setting rings		Storage cases
<b>06230100</b>	6 ÷ 10	0081720351	6 ÷ 8	0081620491	06230020	0211625101	8	06260001
		0081720353	8 ÷ 10					
<b>06230110</b>	10 ÷ 20	0081720356	10 ÷ 12,5	0081620492	06230020	0211625102	12,5	06260001
		0081720358	12,5 ÷ 15			0211625103	17,5	
		0081720360	15 ÷ 17,5					
		0081720362	17,5 ÷ 20					
<b>06230111</b>	20 ÷ 40	0081720364	20 ÷ 25	0081620493	06230020	0211625104	25	06260001
		0081720366	25 ÷ 30			0211625105	35	
		0081720368	30 ÷ 35					
		0081720370	35 ÷ 40					
<b>06230112</b>	40 ÷ 100	0081720372	40 ÷ 50	0081620494	06230020	0211625106	45	0081629525
		0081720374	50 ÷ 60			0211625107	60	
		0081720376	60 ÷ 70			0211625109	85	
		0081720378	70 ÷ 85					
		0081720380	85 ÷ 100					
<i>Set composition for application range from 100 to 300 mm available upon request</i>								
		Measuring heads		Connectors	Measuring element	Setting rings		Storage cases
		<b>0081720382</b>	100 ÷ 125	0081620495	06230020	0211625111	125	00863016
		<b>0081720384</b>	125 ÷ 150			0211625112	150	
		<b>0081720386</b>	150 ÷ 175			0211625112	150	
		<b>0081720388</b>	175 ÷ 200			0211625113	175	
		<b>0081720390</b>	200 ÷ 225			0211625114	200	
		<b>0081720392</b>	225 ÷ 250			0211625115	225	
		<b>0081720394</b>	250 ÷ 275			0211625116	250	
		<b>0081720396</b>	275 ÷ 300			0211625117	275	

Each storage case can contain a single measuring head only.