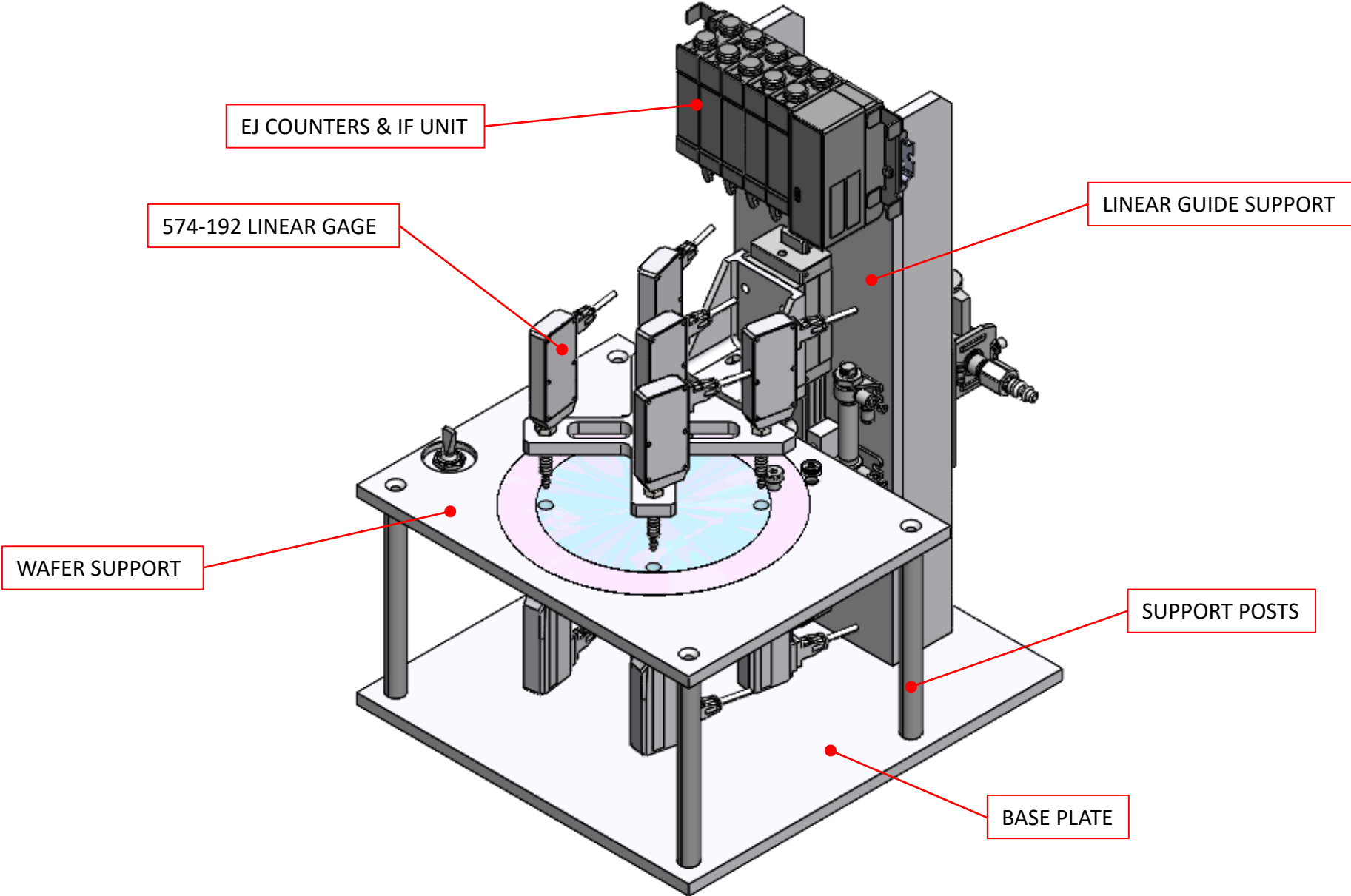
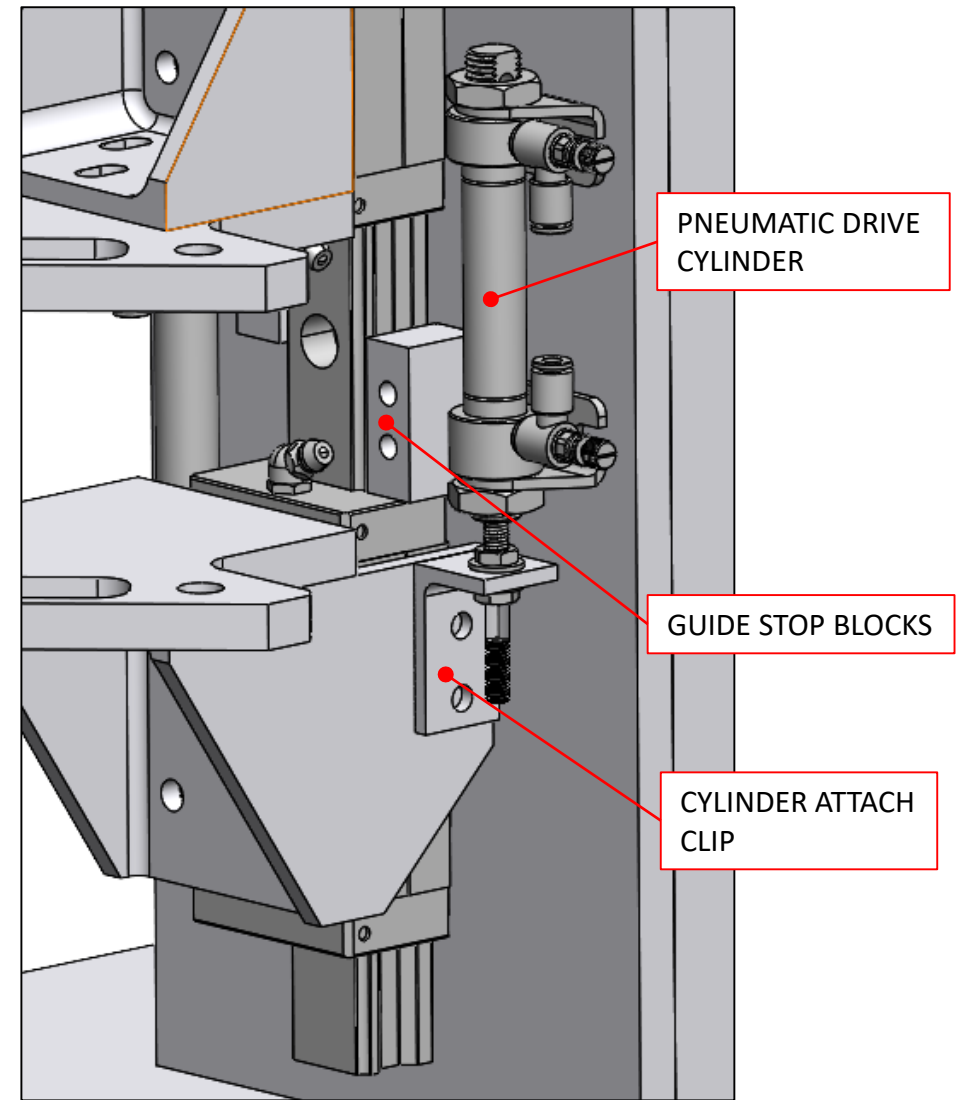
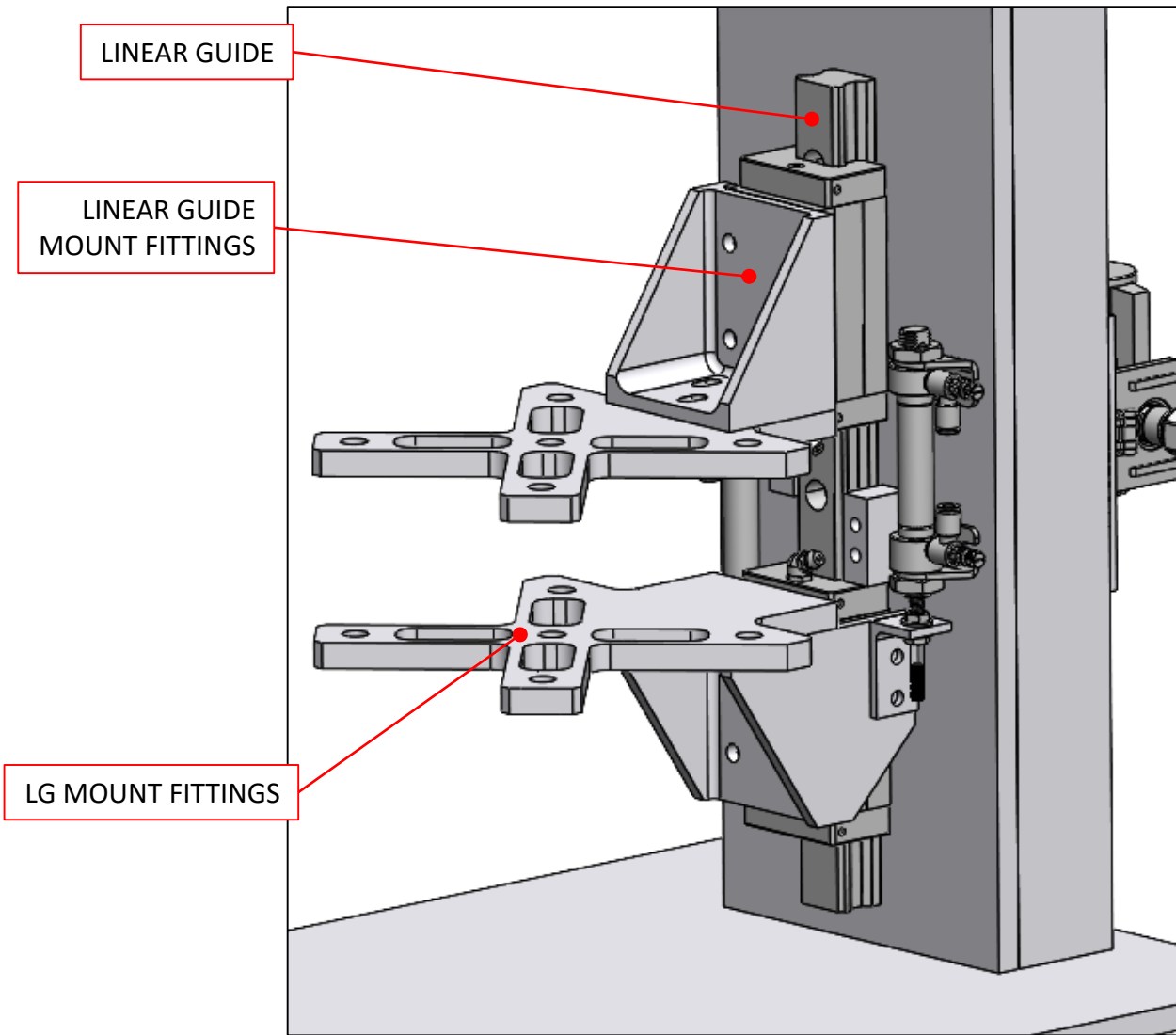


# Wafer Thickness Gage Concept Design – Component Overview

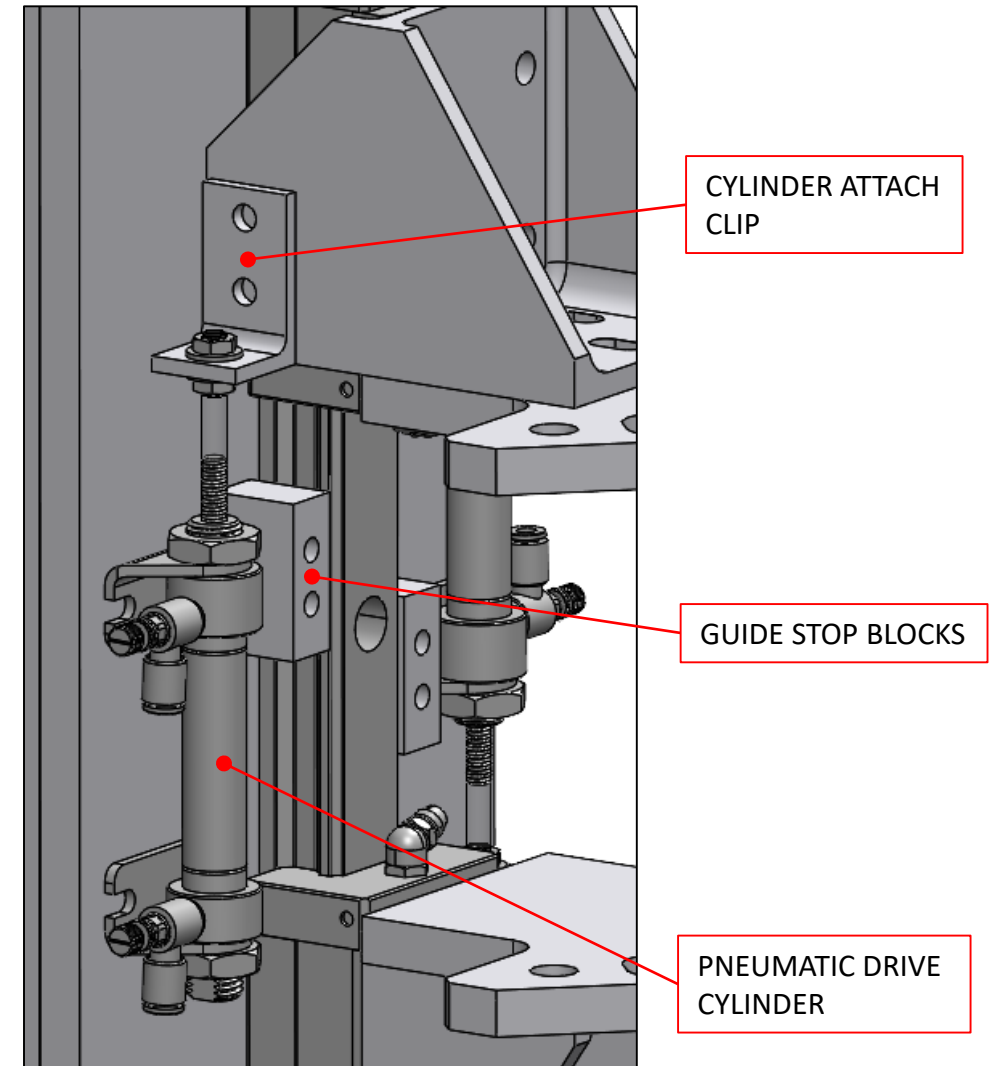
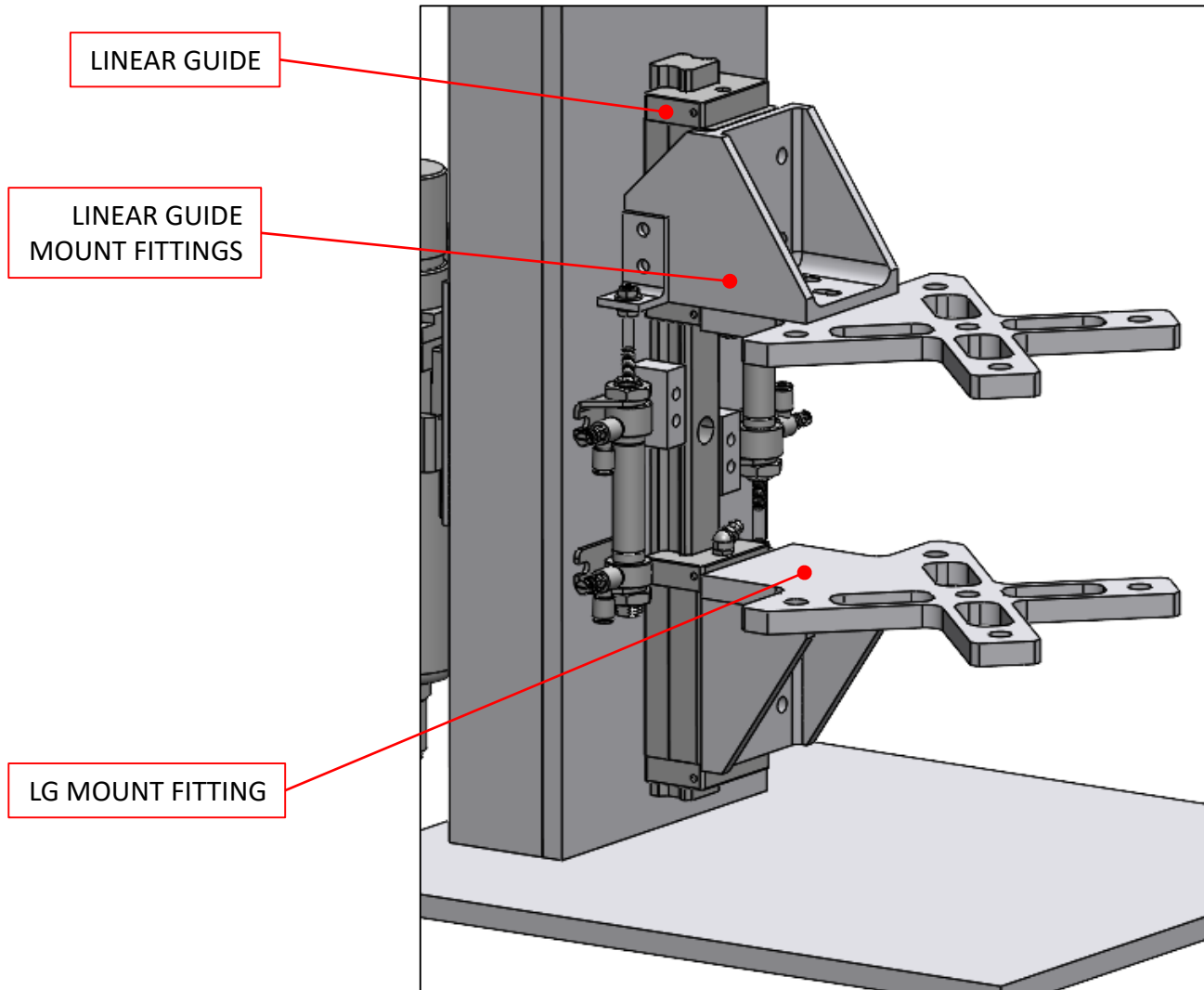


# Wafer Thickness Gage Concept Design – Component Overview (Down Position)



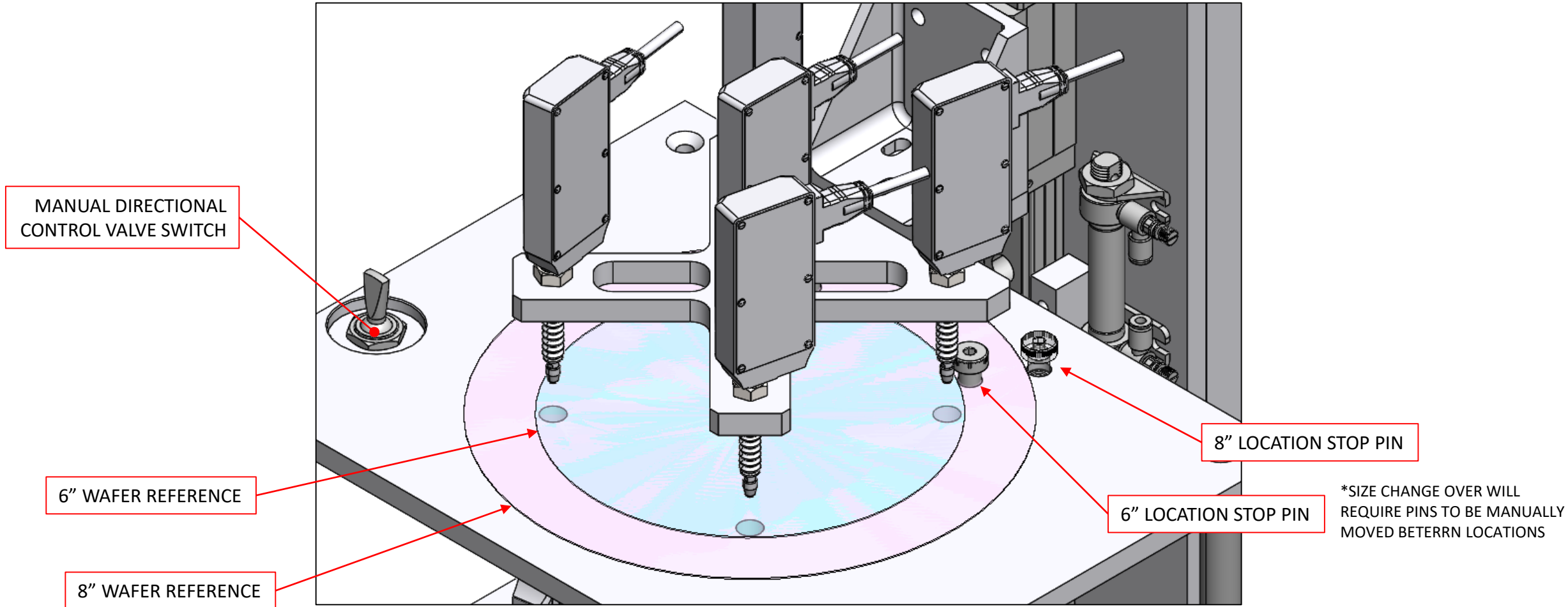
\*LINEAR GAGES NOT SHOWN FOR CLARITY

# Wafer Thickness Gage Concept Design – Component Overview (Up Position)

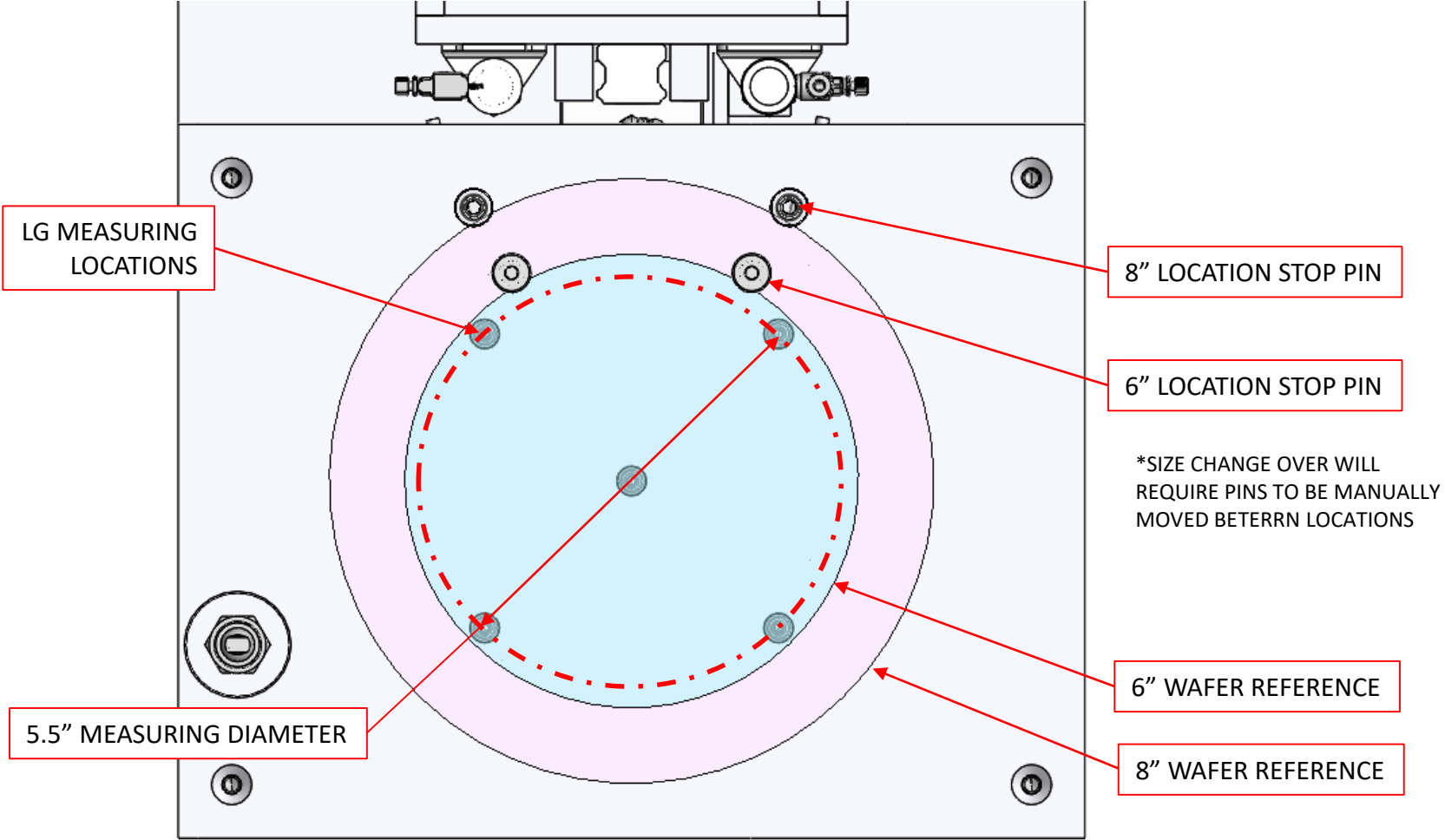
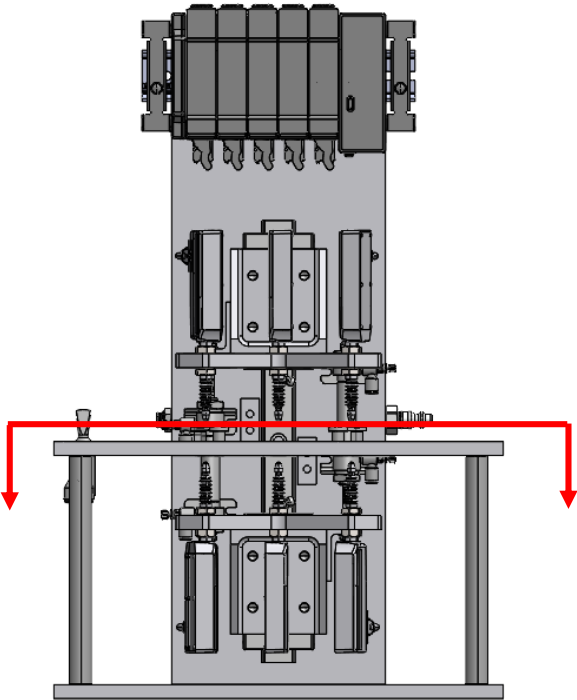


\*LINEAR GAGES NOT SHOWN FOR CLARITY

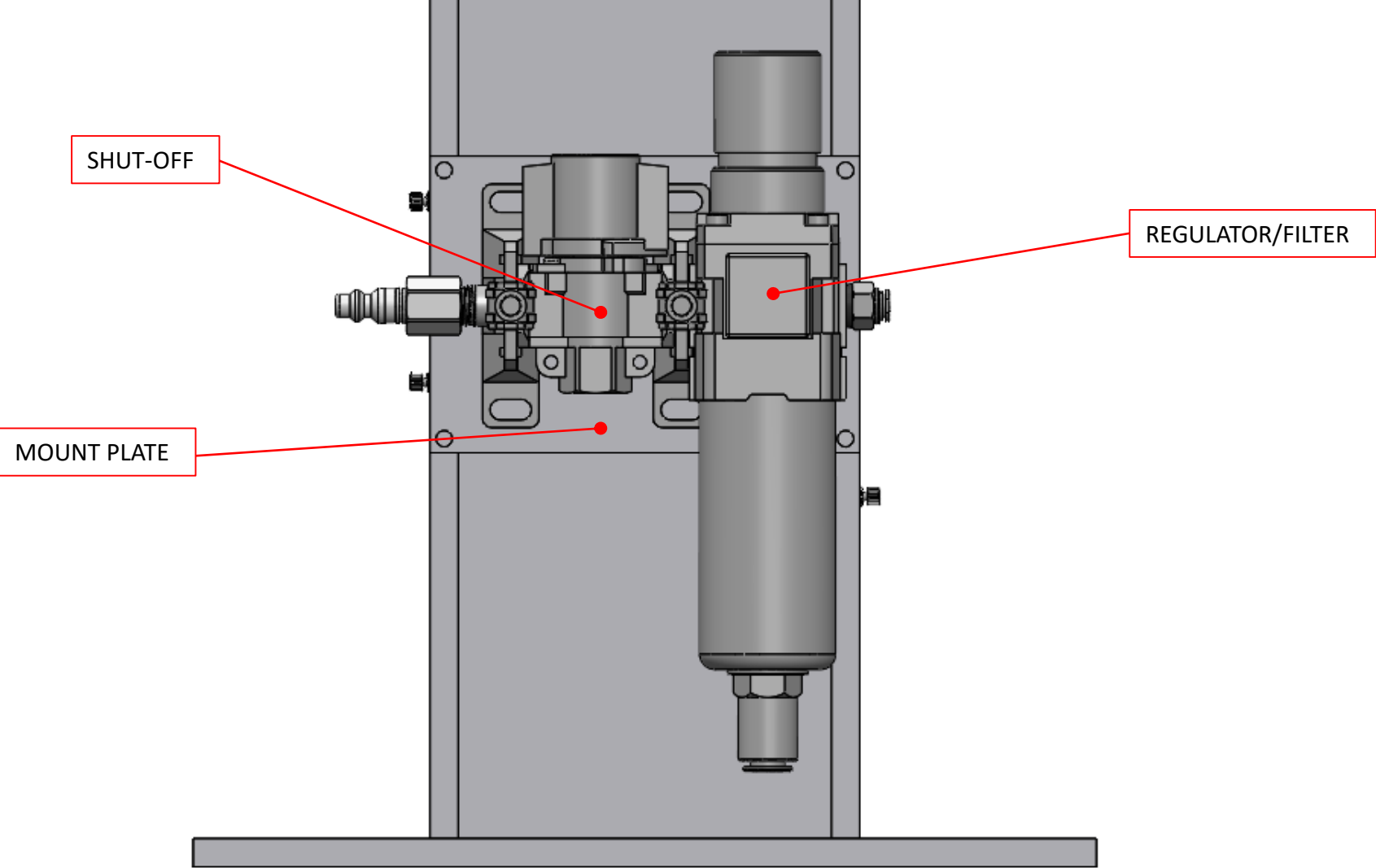
# Wafer Thickness Gage Concept Design – Component Overview (Part Positioning)



# Wafer Thickness Gage Concept Design – Component Overview (Measuring Locations)



# Wafer Thickness Gage Concept Design – Component Overview (Air Prep)



# Wafer Thickness Gage Concept Design – Dimensions

