



DIALTRONIC & DIALTRONIC EASY

Digital dial gages

The DIALTRONIC and DIALTRONIC EASY models complete the range of DIALTRONIC digital dial gages.

These new models replace the former range to integrate new technical improvements in an ergonomic and intuitive design.

The complete DIALTRONIC range covers all the needs of users.

The operator can easily switch from standard features (EASY model) to advanced features, with a measuring range up to 150 mm.

Traceability is guaranteed with a connection to the DATA VIEWER software. The tolerance results are displayed by colored LEDs for clear and visible production control.

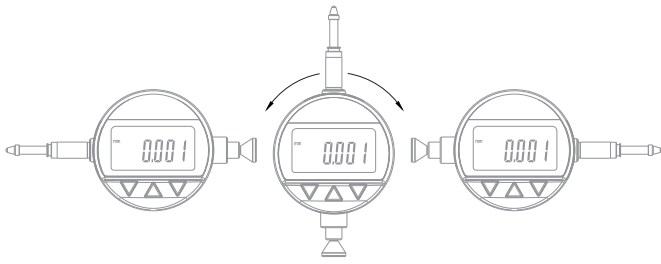
Versions with IP67 bellows protection are also available for use in harsh environments.



Key features :

- *Measuring range up to 150 mm*
- *Models with colored LED display of tolerance results*
- *270° rotation of display and function keys*
- *Advanced Min/Max/Max-Min functions*

Features



The dial can be rotated over a range of 270° to optimally orient the measurement reading for a wide variety of applications.



		DIALTRONIC EASY	DIALTRONIC
Measuring range (mm)		12.5	12.5/25/50/100/150
Resolution (mm)		0.1/0.001	0.01/0.001
Protection class		IP51	IP54 / IP67
Standard features	Zeroing/Preset	●	●
	Data transmission	●	●
	Selection mm/inch	●	●
	Selection of measuring direction	●	●
	Automatic or manual switch-off	●	●
	Locking of the measured value	●	●
Advanced features	Definition of upper and lower tolerances		●
	Dynamic Min/Max/Max-Min measurement		●
	Selection of Ref 1 or Ref 2 (preset and stored tolerance)		●
	Multiplication factor		●
	Locking of the keyboard		●
	Choice of resolution (0.01 or 0.001 mm)		●

Tolerance indicator



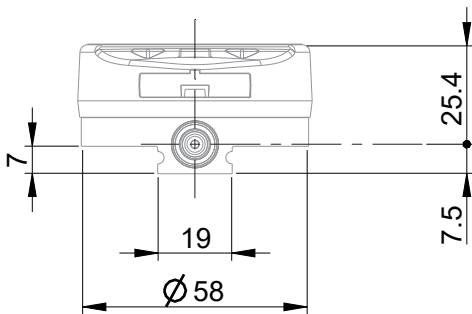
Tolerance mode allows the tolerance indicator to be displayed according to the measurement result. A change in the measurement turns on the colored LED of the tolerance. Once the instrument is fixed in its measuring position, the LED is automatically turned off, only the tolerance indicator remains displayed.

In the case of measurement of interior dimensions, it is possible to switch the colors of the LEDs (red and yellow) by reversing the order of introduction of the tolerance limits (lower limit > upper limit).

DIALTRONIC EASY, standard features



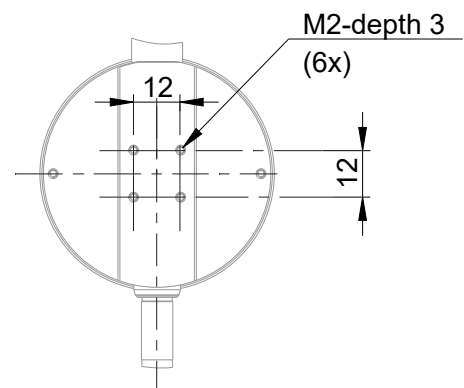
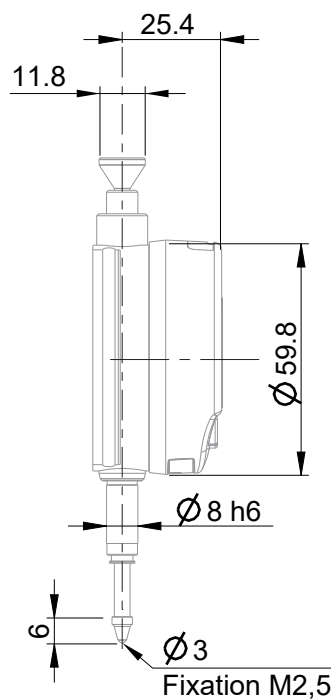
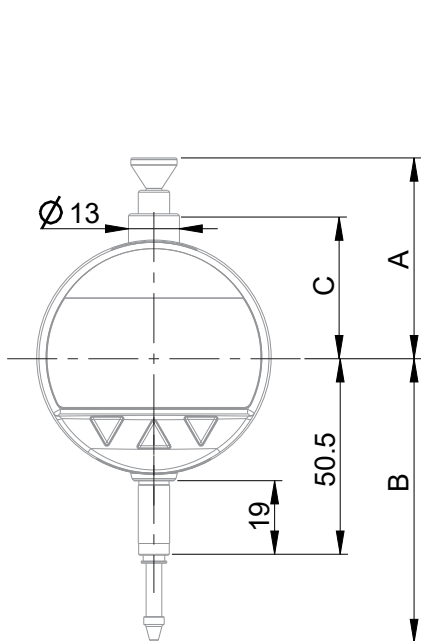
	01930320	01930321
Measuring range (mm)	12,5	12,5
Resolution (mm)	0,01	0,001
Protection class	IP51	IP51
Measuring force (N)	0,65 - 0,90	0,65 - 0,90
Indication error over measuring range (retractable plunger) MPEE (μm)	10 ± 1 digit	4
Indication error over partial measuring range (more than 1 mm) MPEP (μm)	8	3
Repeatability of the indication error MPER (μm)	2	2



A (mm) 50,9

B (mm) 66,2

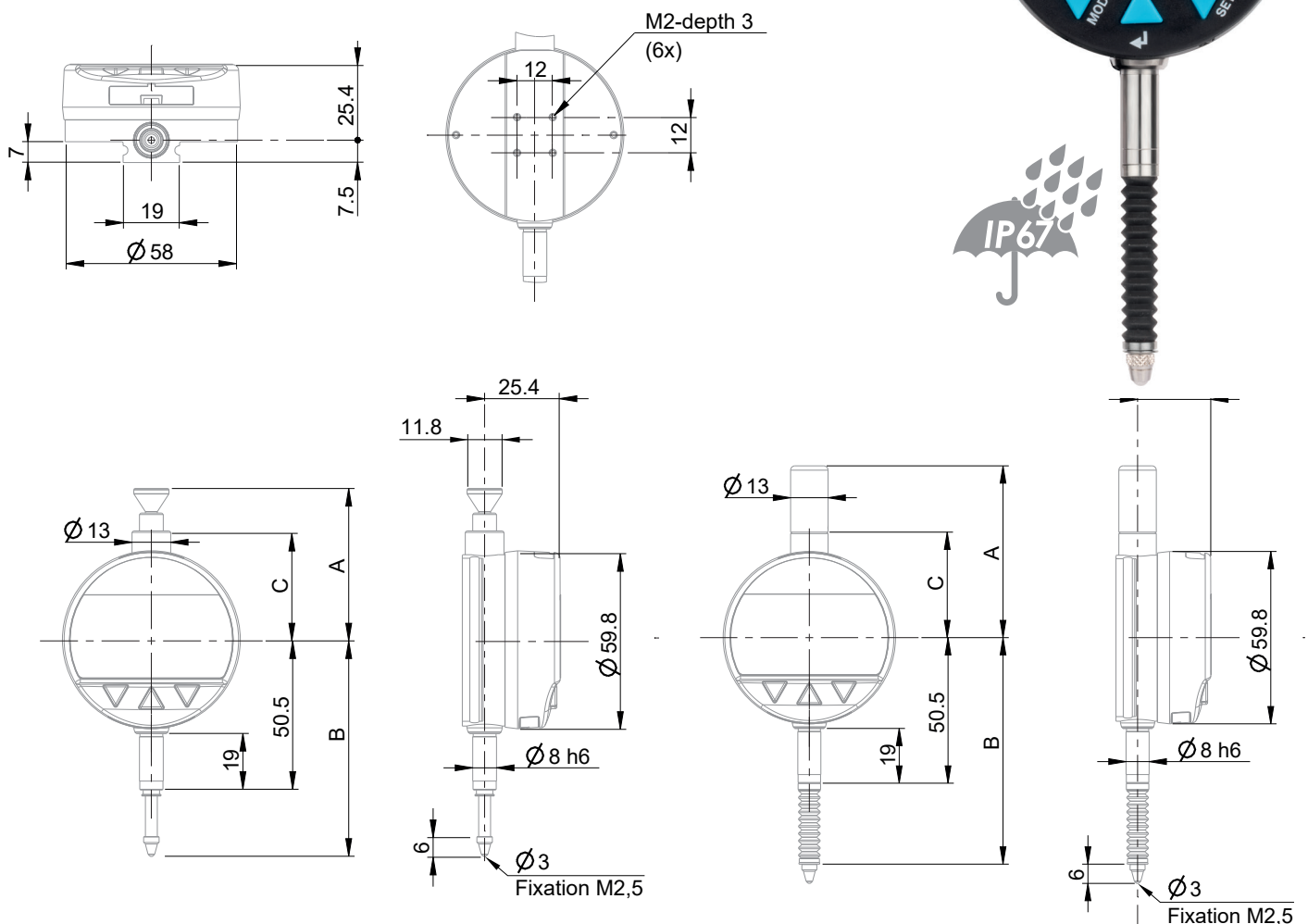
C (mm) 36,6



DIALTRONIC, standard + advanced features

	01930300	01930301	01930303	01930304	01930305	01930307
Measuring range (mm)	12.5	12,5	12,5	25	25	25
Resolution (mm)	0.01	0,001	0,001	0,01	0,001	0,001
Protection class	IP54	IP54	IP67	IP54	IP54	IP67
Measuring force (N)	0.65 - 0.90	0,65 - 0,90	0,7 - 1,4	0,65 - 0,90	0,65 - 0,90	0,7 - 1,4
Indication error over measuring range (retractable plunger) MPEE (μm)	10 ± 1 digit	3	3	10 ± 1 digit	4	4
Indication error over partial measuring range (more than 1 mm) MPEP (μm)	8	2,6	2,6	2,6	2,6	2,6
Repeatability of the indication error MPER (μm)	2	2	2	2	2	2

Protection class	IP54		IP67	
Measuring range (mm)	12,5	25	12,5	25
A (mm)	50,9	63,6	59,6	85,4
B (mm)	66,2	79	78,6	100,2
C (mm)	36,6	49,4	36,6	49,4

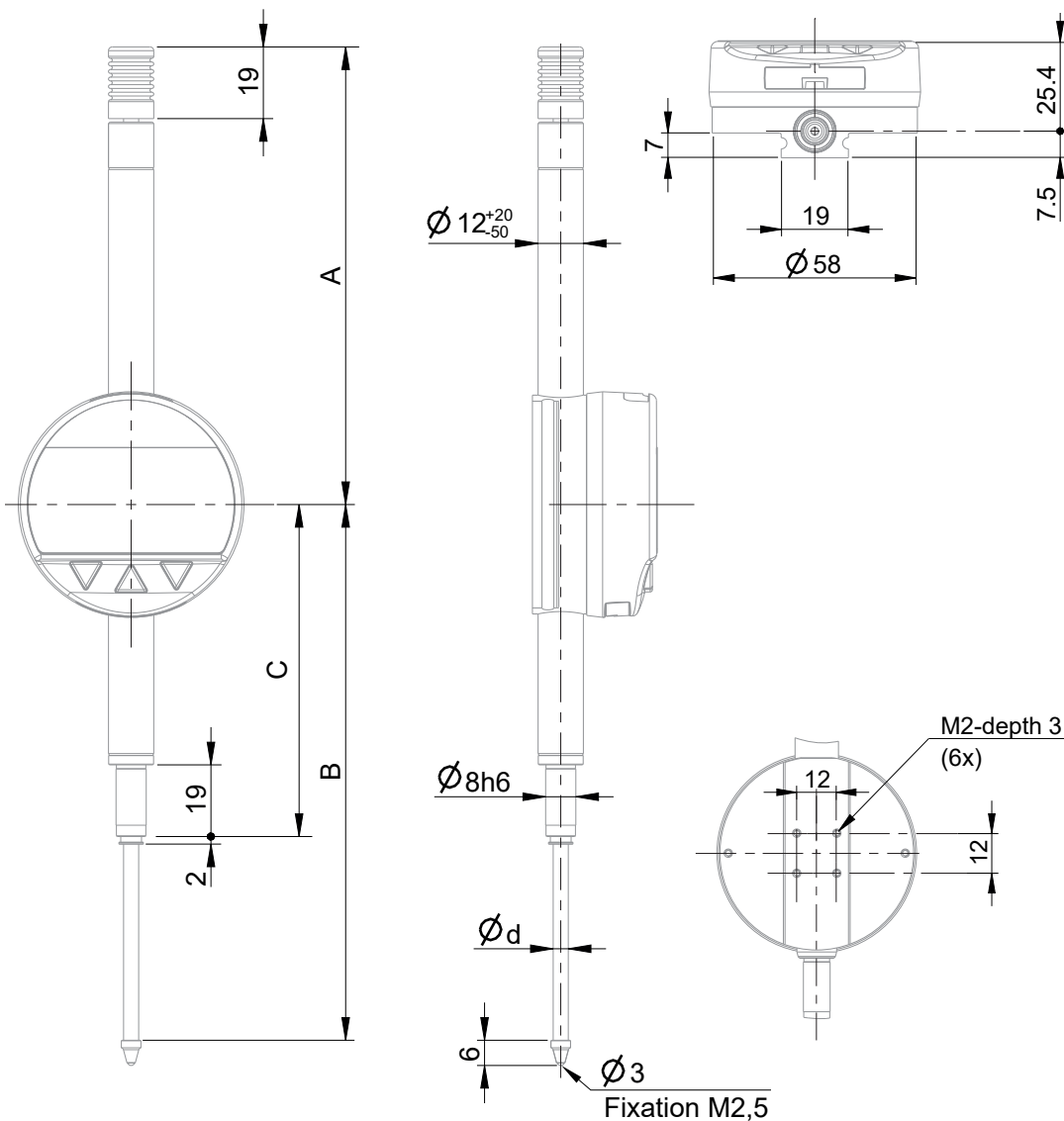


DIALTRONIC 50/100/150, standard + advanced features

	01930309	01930311	01930313
Measuring range (mm)	50	100	150
Resolution (mm)	0,001	0,001	0,001
Protection class	IP54	IP54	IP54
Measuring force (N)	0,65 - 0,90	0,65 - 0,90	0,65 - 0,90
Indication error over measuring range (retractable plunger) MPEE (μm)	5	6	10
Indication error over partial measuring range (more than 1 mm) MPEP (μm)	3,2	3,2	3,2
Repeatability of the indication error MPER (μm)	2	2	2

Brake valve included with models 50/100/150 to limit the speed of the plunger's descent stroke

Measuring range (mm)	50	100	150
A (mm)	121	172	224
B (mm)	142	244	349
C (mm)	88	139	193
$\varnothing d$ (mm)	4	4	5



Connectivity with DATA-VIEWER



TESA DATA-VIEWER allows a quick and easy handling in order to export the results to a data processing program or to automatically create files in known formats such as *.xls, *.csv or *.txt.

TESA DATA-VIEWER is downloadable free of charge from the TESA website¹.

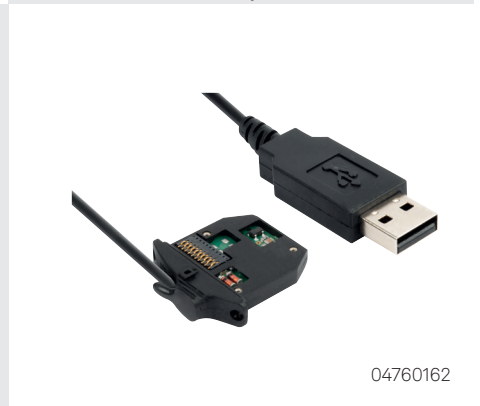
<https://go.hexagonmi.com/DATA-VIEWERsoftware>

¹TESA-Instrument drivers included

Software requirements: Windows 10, 32 & 64-bit processor

Hardware requirements: Intel i5 or equivalent, 4 GB RAM, 100 MB HDD

Accessories



Part numbers	Designation
01960100	Back of DIALTRONIC dial gage
01960101	DIALTRONIC lifting device for 12.5 mm version
01960102	DIALTRONIC lifting device for 25 mm version
04760160	Inductive USB cable, 3 m
04760161	Power USB cable, 3 m
04760162	90° power USB cable, 3 m

Application examples



Product range at a glance

Part numbers	Features	Measuring range (mm)	Resolution (mm)	Protection class
01930320	Standard	12,5	0,01	IP51
01930321	Standard	12,5	0,001	IP51
01930300	Advanced	12,5	0,01	IP54
01930301	Advanced	12,5	0,001	IP54
01930303	Advanced	12,5	0,001	IP67
01930304	Advanced	25	0,01	IP54
01930305	Advanced	25	0,001	IP54
01930307	Advanced	25	0,001	IP67
01930309	Advanced	50	0,001	IP54
01930311	Advanced	100	0,001	IP54
01930313	Advanced	150	0,001	IP54



About Hexagon and TESA

Hexagon is a global leader in sensor, software and autonomous solutions. We are putting data to work to boost efficiency, productivity, and quality across industrial, manufacturing, infrastructure, safety, and mobility applications.

Our technologies are shaping urban and production ecosystems to become increasingly connected and autonomous – ensuring a scalable, sustainable future.

TESA Technology, part of Hexagon's Manufacturing Intelligence division, is a leading innovator and manufacturer of precision measuring instruments, long-established in Switzerland. Learn more at tesatechnology.com. Hexagon's Manufacturing Intelligence division provides solutions that utilize data from design and engineering, production and metrology to make manufacturing smarter.

Hexagon (Nasdaq Stockholm: HEXA B) has approximately 20,000 employees in 50 countries and net sales of approximately 4.4bn USD.

Learn more at hexagon.com and follow us @HexagonAB.

866-945-5742 INFO@WILLRICH.COM