

Fulcrum

Revolutionary Manual CMM

The Fowler Fulcrum Manual CMM is the perfect tool for quick and easy, as-needed inspection operations. Its intuitive software design and innovative ergonomic features make it easy to use, even for operators with little to no CMM experience. Every feature of this CMM was designed with quality managers, engineers, and technical personnel in mind. Fulcrum offers unmatched accuracy and precision with its three rotary axis design, making it the perfect choice for use on the shop floor close to your machine centers.

The Aberlink user interface has been further simplified so that features are automatically recognized, and dimensions displayed after manual scanning — saving you valuable time and money!

Whether in a small batch quality control setting or used to set up your CNC machines, this instrument will quickly become your go-to choice for efficient on-site inspection. With the Fowler Fulcrum Manual CMM, you will not waste time or effort getting up to speed with complex measurement equipment; within minutes you will be measuring!

Experience the future of inspection technology with Fulcrum.



Key Features

- Small footprint allowing measurements right next to your machine.
32.6" L x 13.2" W x 28.5" H.
- Intuitive software, designed around Fulcrum, allows quick and easy measurement.
- Ready to begin measuring parts right out of the box - minimal setup.
- Programmable magnetic soft buttons allow you to quickly change between software features without using a mouse.
- Magnetic fixture templates allow you to quickly fix your part, making sure all points are taken accurately.
- Volumetric accuracy of 0.0002"/0.005mm
- The Fulcrum only uses a single USB cable to connect and requires no air or external power.

Fulcrum powered by FUSION making measurement easy.

At Fowler, measurement is made easy. Aberlink's engineers have developed FUSION software that sets the standard for simple-to-use software. With every measured component, the software builds a representation on the screen, allowing you to easily click on features and access dimensions just as they appear in the drawing. We have even taken it a step further by tailoring the software around Fulcrum to give you an intuitive measurement experience.

Inspection reports are a crucial part of modern manufacturing, ensuring quality and consistency in every product. Aberlink's measurement software simplifies this process with an interface that is both powerful and intuitive, increasing component through-put without sacrificing accuracy or precision. Whether your needs call for fully dimensioned graphical representations or formatted tables with detailed tolerances and pass/fail criteria, Aberlink's solution has you covered. And with the ability to output all reports as Excel spreadsheets, you can easily share critical data with colleagues or customers, ensuring that every product meets the highest standards possible.

Trust Aberlink for efficient and accurate measurements at every step of your machining process.



Specification

Order Number: 54-960-400-0

Measuring Volume X 280mm*
Y 280mm*
Z 150mm*

Overall Size X 335mm
Y 830mm
Z 725mm

Motion Manual

Suitable For Shop Floor/Inspection Room

Volumetric Accuracy 5.0µm

Scale Resolution 1.15µrad

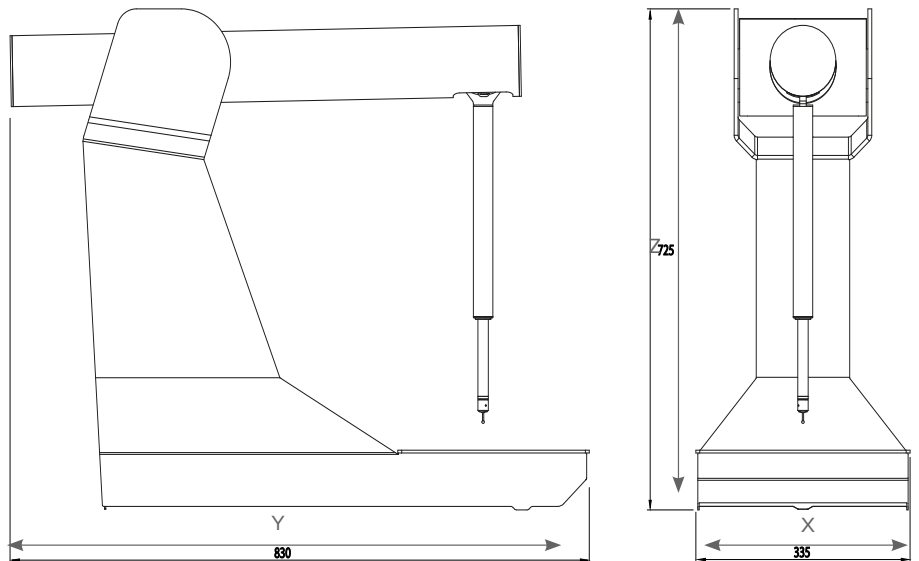
****Optimum Temp Range** 18 - 22°C

Operational Temp Range 5 - 45°C

Air Required? No

*Minimum measuring range specified because the usable volume isn't cubic

**The machine should not be positioned where it will be subjected to rapid changes in temperature. Max rate of ambient temperature change should not be more than 1°C/hour.



DISTRIBUTION
Willrich Precision
866-945-5742 / sales@willrich.com

Fowler[®]
HIGH PRECISION