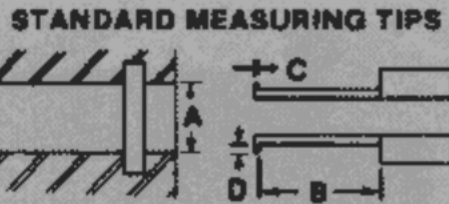


## STANDARD MEASURING TIPS



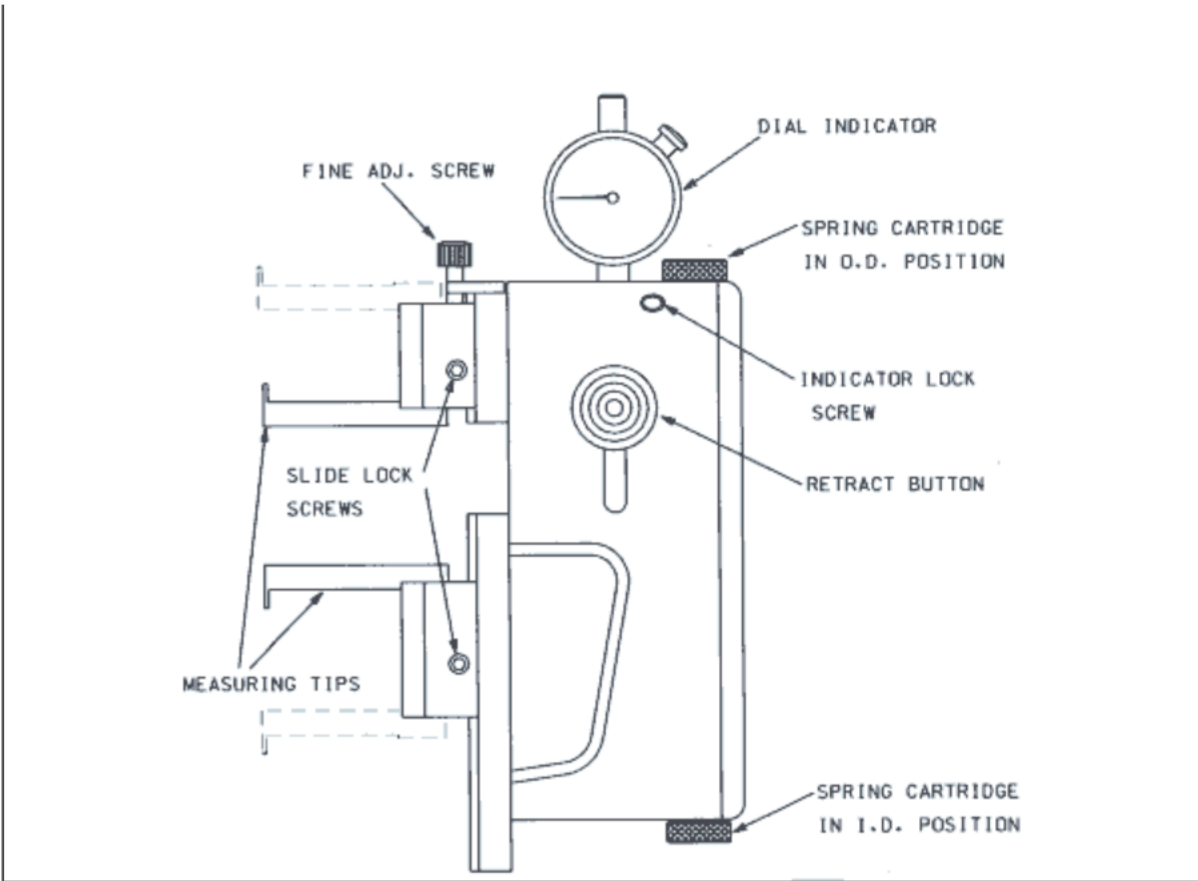
Tip No.		A	B	C	D
Upper	Lower	Min-Max. Bore Dia. Range	Length of Meas. Tip	Width of Meas. Tip	Depth of Meas. Tip
1503	1503	290-4.125	1 1/4	.050	.110
1504	1504	730-7.187	1 1/4	.040	.210
1504	*1504-3 3-point contact	730-7.187	1 1/4	.040	.210
180-0	180-0	1.050-7.375	1 1/2	.050	.210
180-5	180-5	1.050-7.375	2 1/2	.050	.210
180-10	180-10	1.150-7.500	3 1/2	.050	.250
180-10	*180-30 3-point contact	1.150-7.500	3 1/2	.050	.250
180-15	180-15	1.700-7.900	4 1/2	.080	.500

\* 3 point contact measuring tips require cylindrical master.

The following measuring tips are available with special width ('C' dimensions) at no extra charge when specified on purchase order.

Measuring Tip No.	Standard Width	Special Width
1503	.050	.022
1504	.040	.020

Approximate weight of gage with measuring tips is 28 oz.



### OPTIONAL ACCESSORIES

- ◆ 182 storage case
- ◆ 179-40 long lower reference bar (will not fit standard 182 storage case).
- ◆ 179-65 adjustable tip stops
- ◆ Series 179 - Page 2 (cont'd)

### ORDERING INFORMATION

- ◆ Model 179 gage - consists of gage body with AGD Group I .0005" dial indicator with rev counter. .0001" & metric dial indicators available.
- ◆ Measuring tips ordered separately. See chart for tip selection.
- ◆ 179-50 gage set includes 179 gage with .0005" dial indicator, 1 set 1503 measuring tips & choice of 1 set 180-0 or 180-5 or 180-10 measuring tips & 182 storage case.

Willrich Precision 866-945-5742 / sales@willrich.com