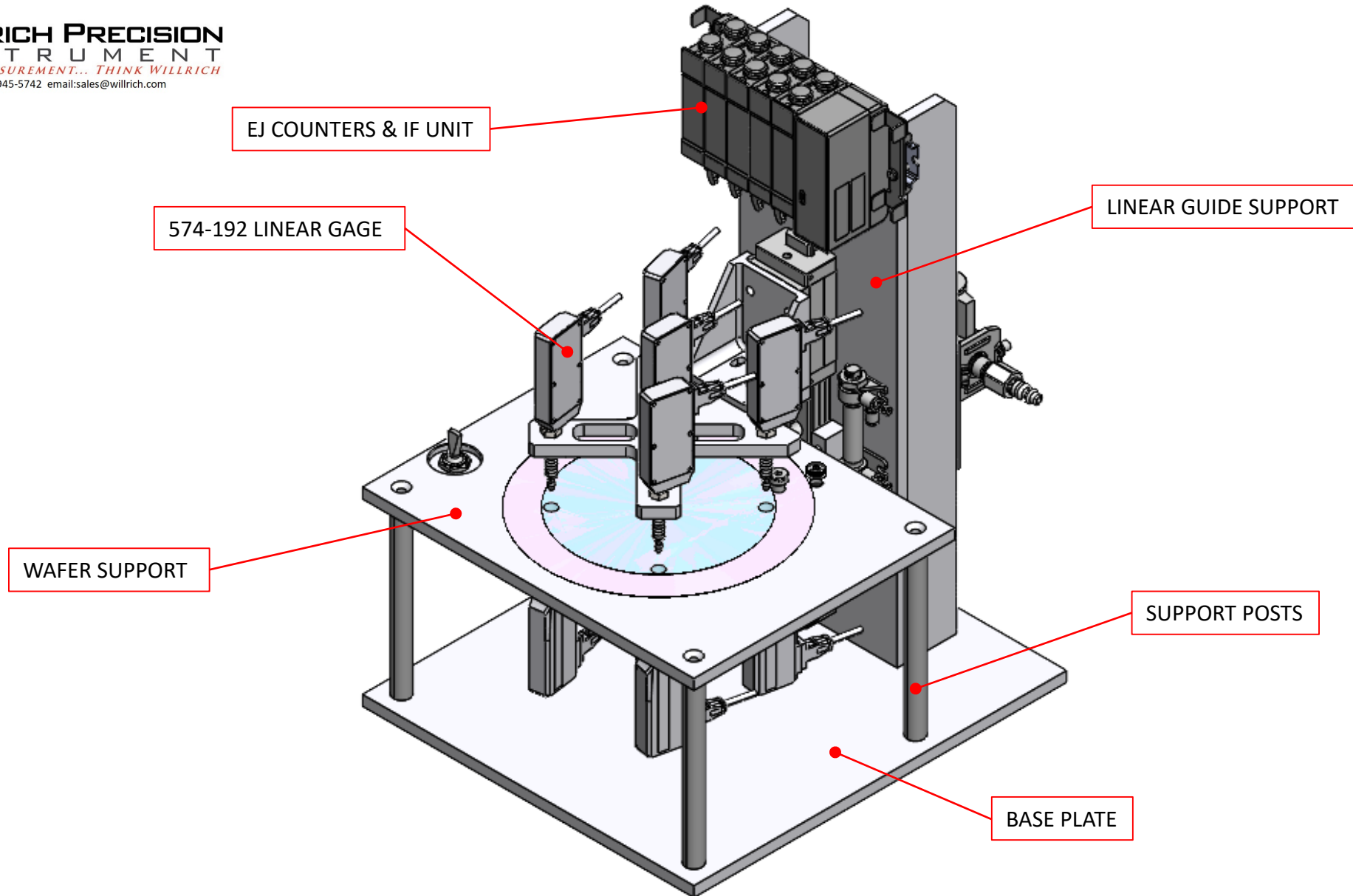


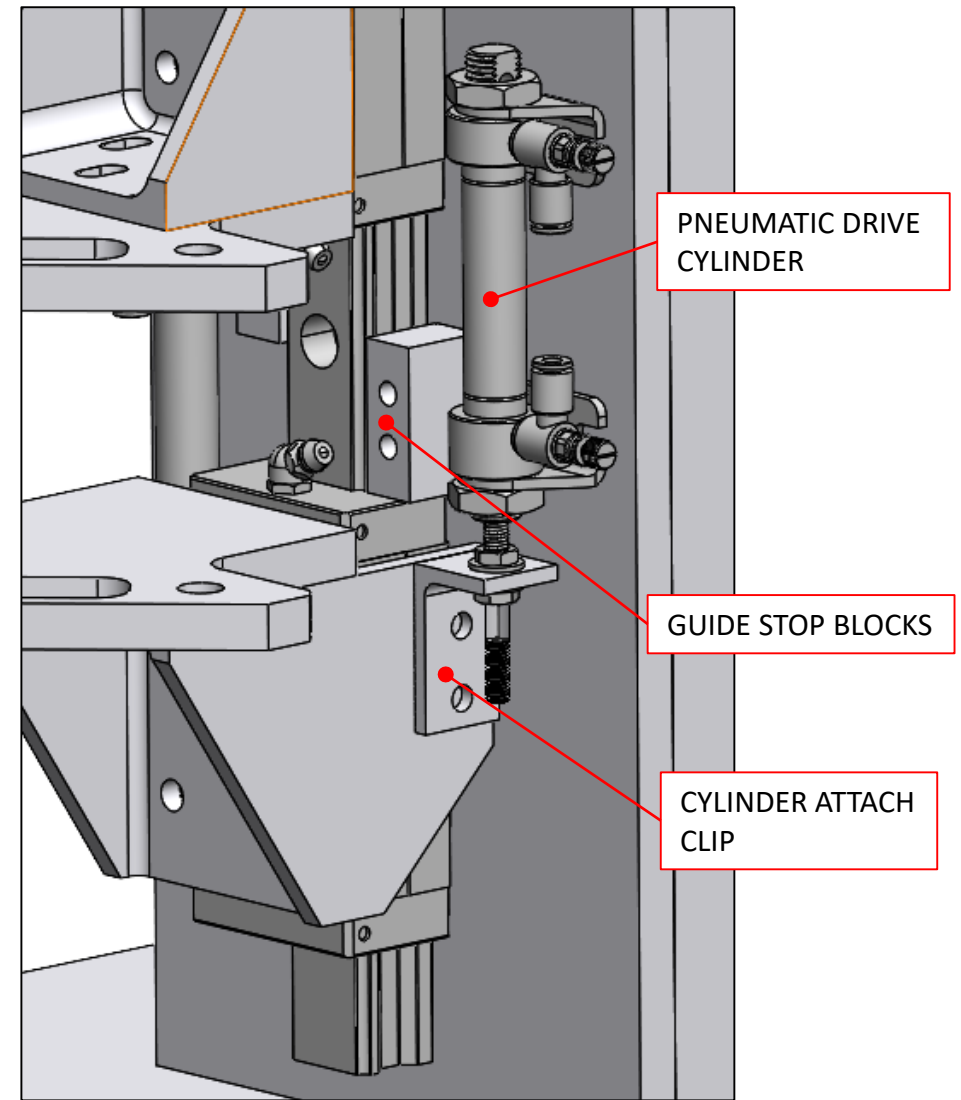
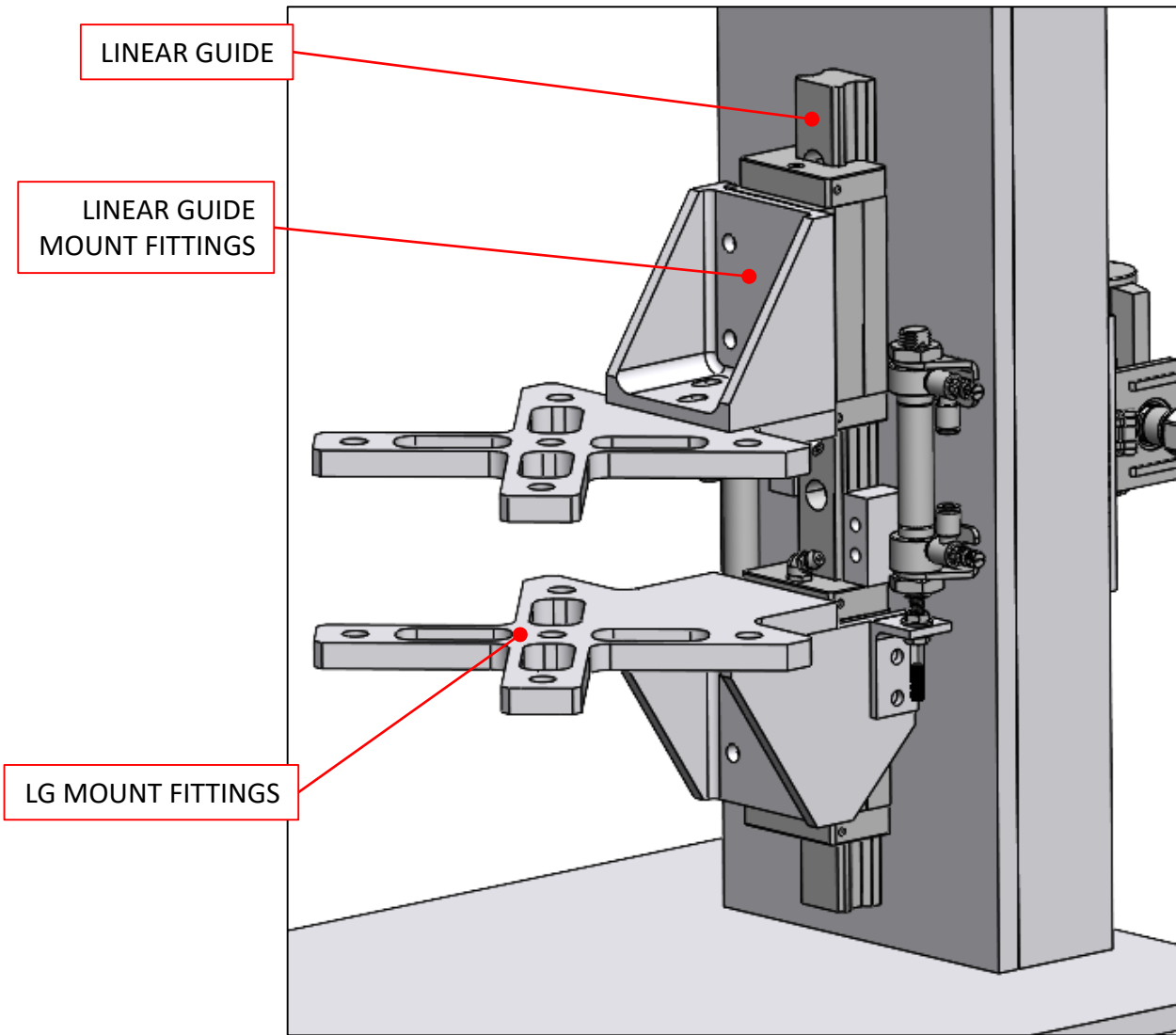
# Wafer Thickness Gage Concept Design – Component Overview



**WILLRICH PRECISION  
INSTRUMENT**  
*THINK MEASUREMENT... THINK WILLRICH*  
Ph 866-945-5742 email:sales@willrich.com

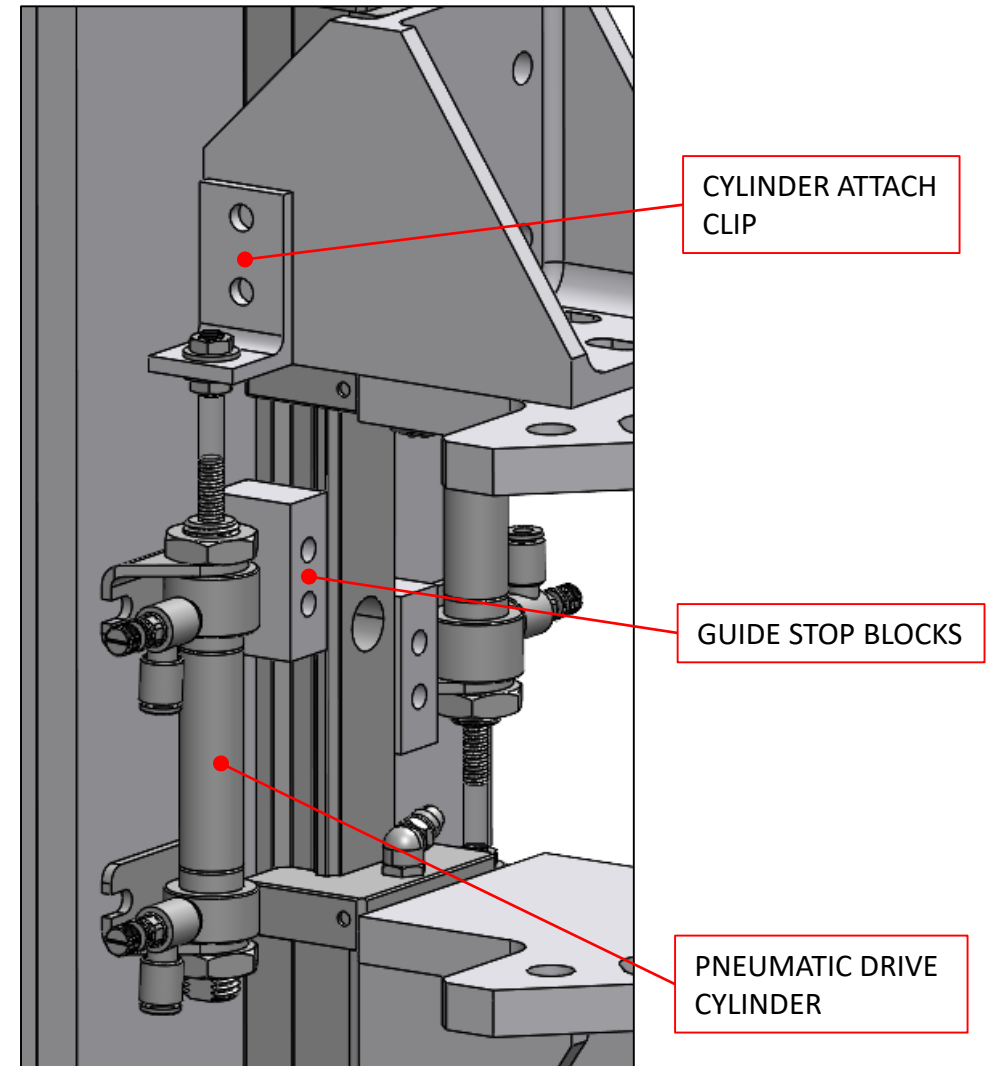
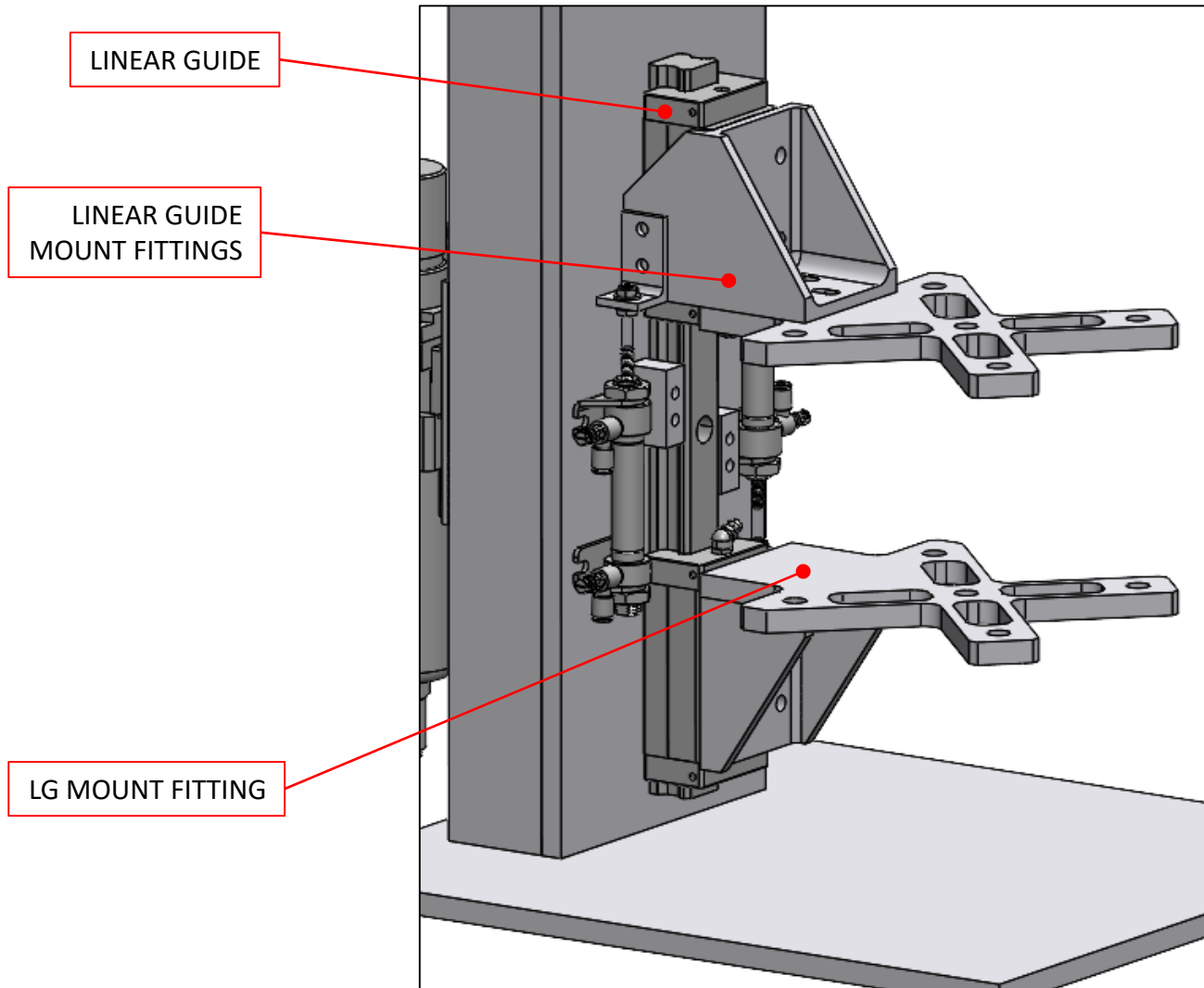


# Wafer Thickness Gage Concept Design – Component Overview (Down Position)



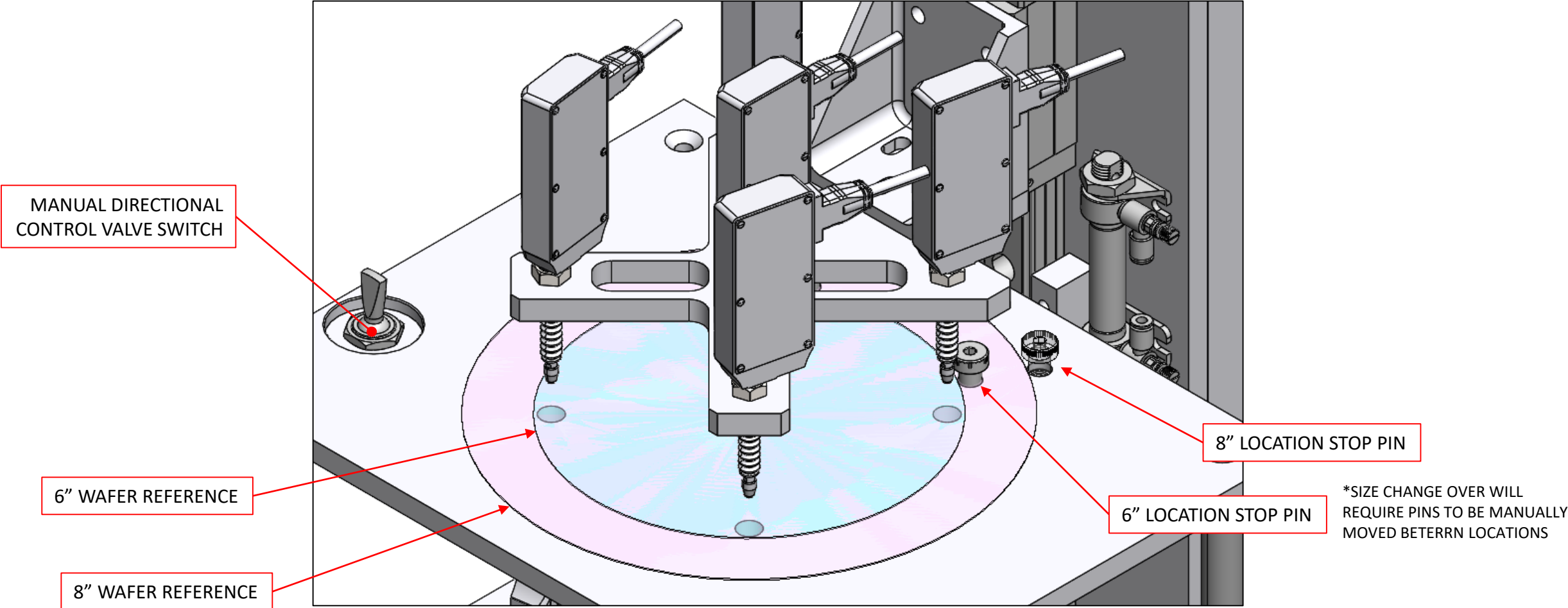
\*LINEAR GAGES NOT SHOWN FOR CLARITY

# Wafer Thickness Gage Concept Design – Component Overview (Up Position)

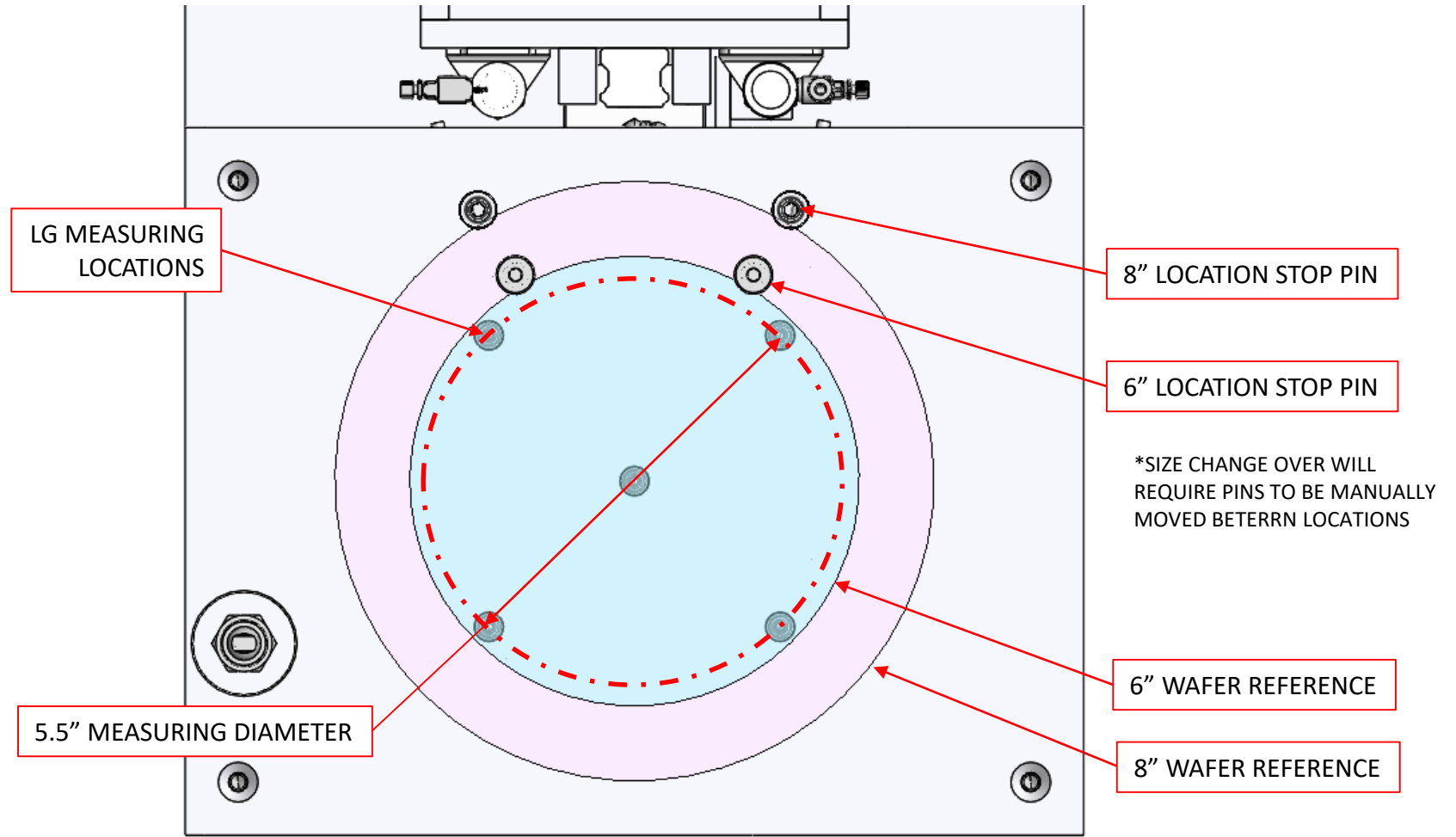
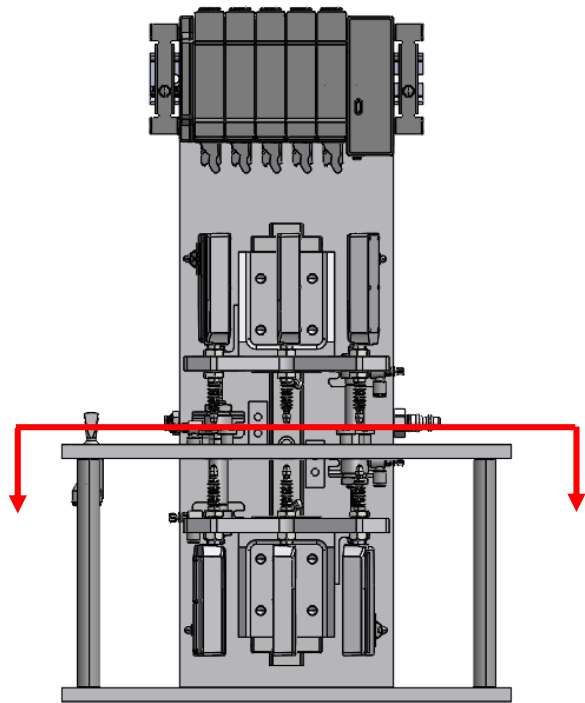


\*LINEAR GAGES NOT SHOWN FOR CLARITY

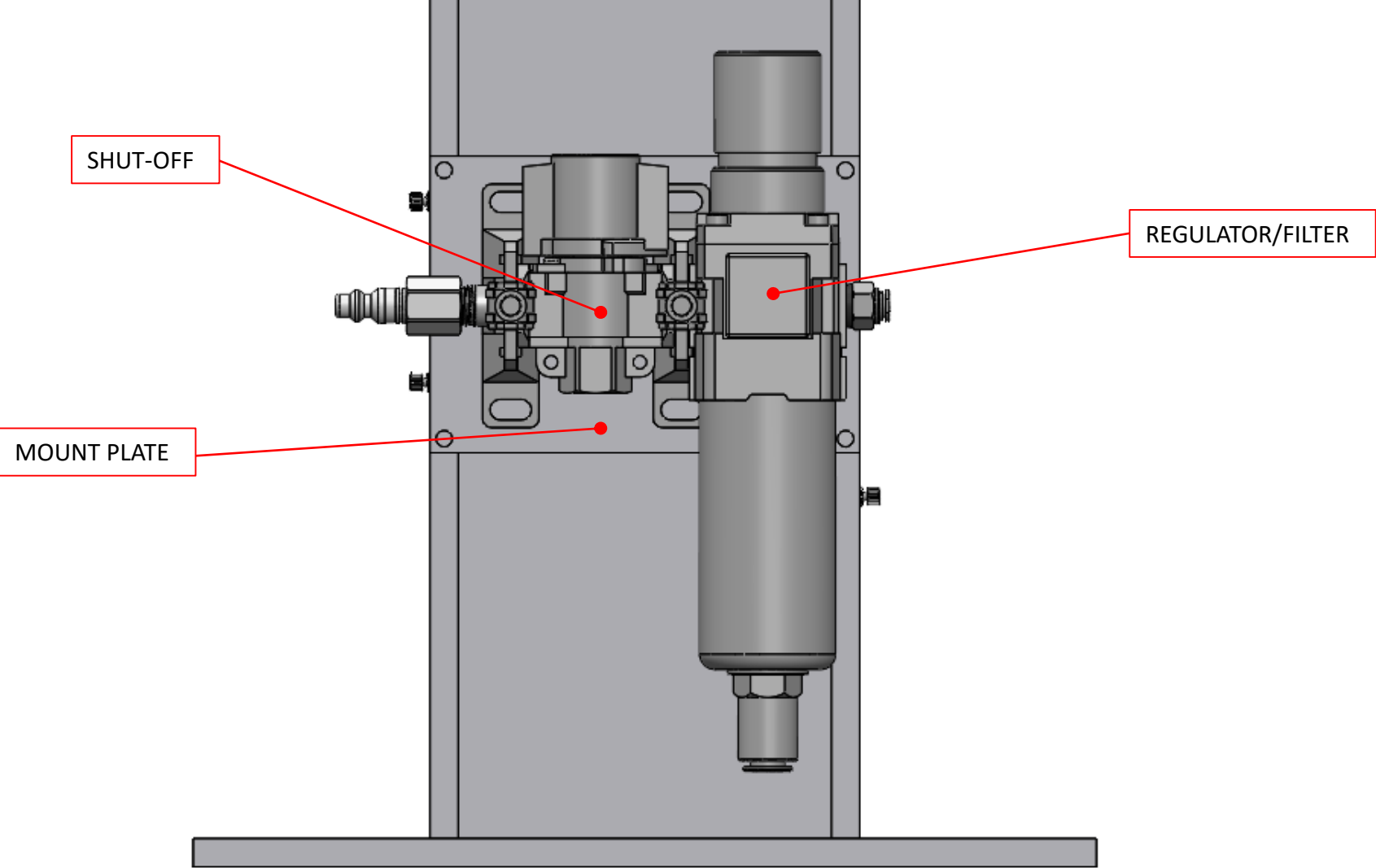
# Wafer Thickness Gage Concept Design – Component Overview (Part Positioning)



# Wafer Thickness Gage Concept Design – Component Overview (Measuring Locations)



# Wafer Thickness Gage Concept Design – Component Overview (Air Prep)



# Wafer Thickness Gage Concept Design – Dimensions

