



# Metrology fixture table

Renishaw's metrology tables are manufactured using cast aluminium plate tops, supported by a rigid aluminium extruded frame and legs that can accommodate and carry large and heavy parts. The tables are supplied with heavy-duty castors that allow portability and an easy to use mechanism for locking to the floor substrate.

Metrology fixture tables are used in many industries and for numerous applications.

The table's modular construction provides endless flexibility to mount portable measurement devices. The fixture plate is supplied in either hard coat clear anodise or optional black anodise, which is better suited for non-contact optical inspection purposes.

## Specifications

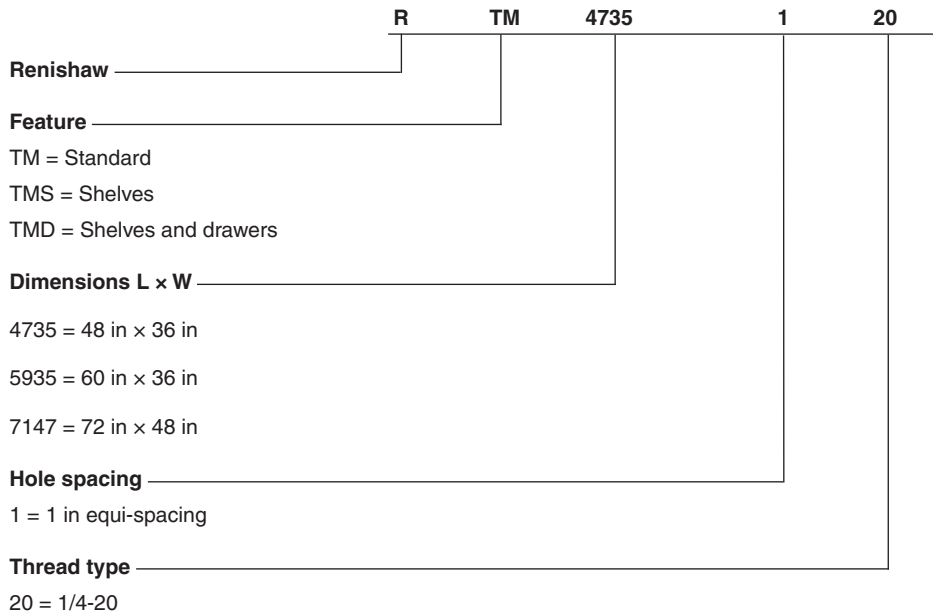
<b>Applications</b>	Portable CMMs, 3D scanners, portable measuring stations
<b>Table height including plate</b>	36 in
<b>Drawer and shelf sizes</b>	See table set dimensions
<b>Thread sizes</b>	Square grid pattern, 1/4-20 in
<b>Safe working load</b>	Table 800 lb, shelves 185 lb, drawers 55 lb
<b>Shipped</b>	Fully assembled
<b>Materials</b>	Frame - aluminium extrusion, plate - cast aluminium
<b>Table feet</b>	Heavy duty levelling feet with castor wheels



Table options					
Part number	Dimensions (L x W)	Hole spacing	Thread type	Description	Weight*
R-TM-4735-1-20	47.24 in x 35.43 in	1 in	1/4-20	Table only	246.9 lb
R-TM-5935-1-20	59.06 in x 35.43 in	1 in	1/4-20	Table only	288.8 lb
R-TM-7147-1-20	70.81 in x 47.24 in	1 in	1/4-20	Table only	403.4 lb
R-TMS-4735-1-20	47.24 in x 35.43 in	1 in	1/4-20	With shelves	266.8 lb
R-TMS-5935-1-20	59.06 in x 35.43 in	1 in	1/4-20	With shelves	321.9 lb
R-TMS-7147-1-20	70.81 in x 47.24 in	1 in	1/4-20	With shelves	447.5 lb
R-TMD-4735-1-20	47.24 in x 35.43 in	1 in	1/4-20	With shelves and drawers	394.6 lb
R-TMD-5935-1-20	59.06 in x 35.43 in	1 in	1/4-20	With shelves and drawers	456.4 lb
R-TMD-7147-1-20	70.81 in x 47.24 in	1 in	1/4-20	With shelves and drawers	698.9 lb

\* Weight of table and plate

## Nomenclature

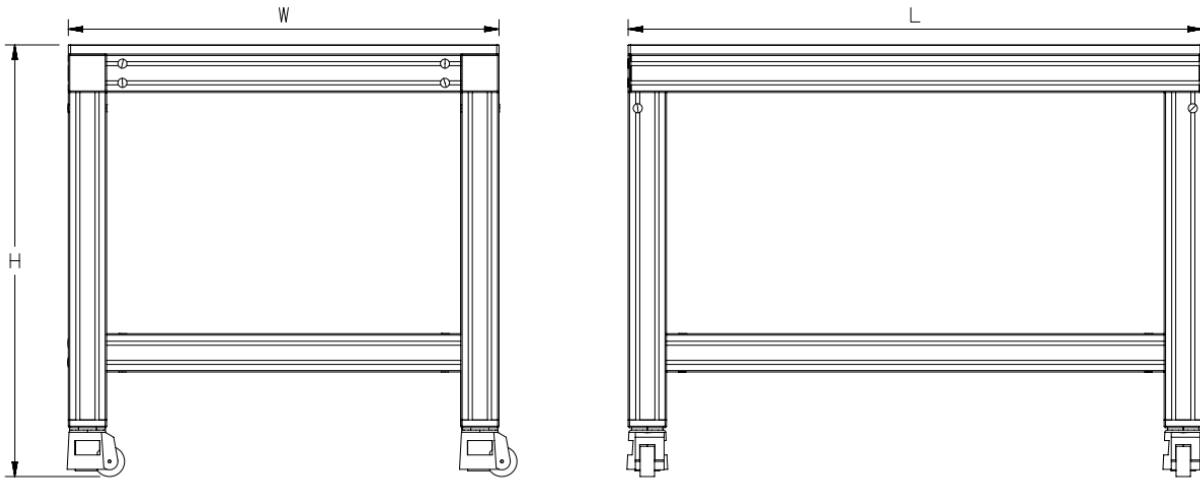


## Options

<b>Accessories</b>	Compatible with portable CMMs/articulating arms/measuring arms/scanners, using universal adaptor plate R-PAACU
--------------------	--

**Note:** Ask your local sales representative about custom options.

## Tables



## Shelves

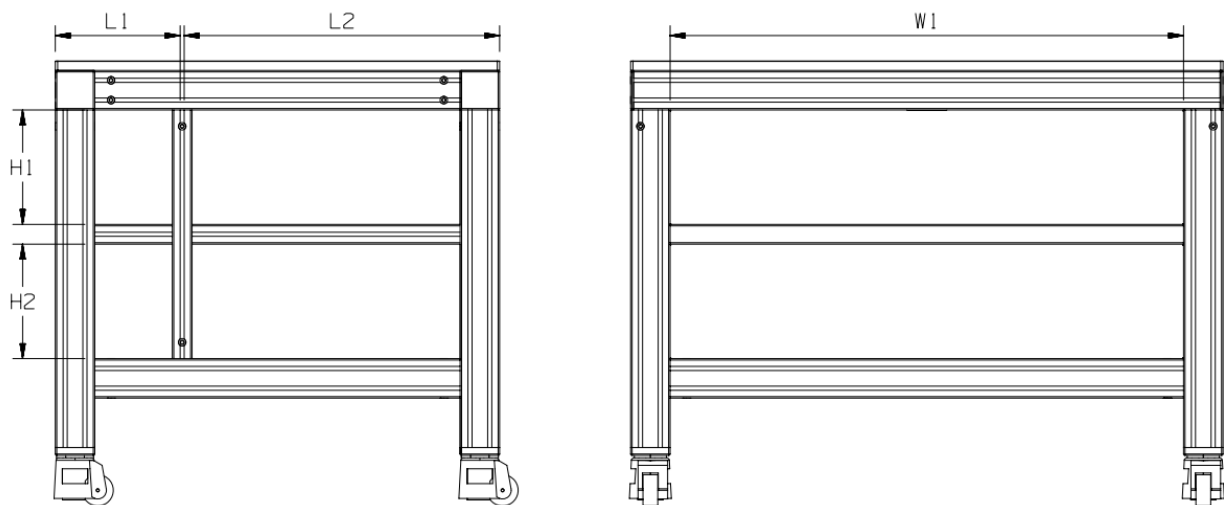


Table and shelves set dimensions						
Description	Height (H)	L1	L2	W1	H1	H2
47.24 in x 35.43 in Table	36 in	–	–	–	–	–
47.24 in x 35.43 in Shelves	36 in	10.00 in	25.20 in	40.94 in	9.11 in	9.11 in
59.06 in x 35.43 in Table	36 in	–	–	–	–	–
59.06 in x 35.43 in Shelves	36 in	10.00 in	25.20 in	40.94 in	9.11 in	9.11 in
70.81 in x 47.24 in Table	36 in	–	–	–	–	–
70.81 in x 47.24 in Shelves	36 in	21.83 in	25.20 in	64.56 in	9.11 in	9.11 in

## Drawers

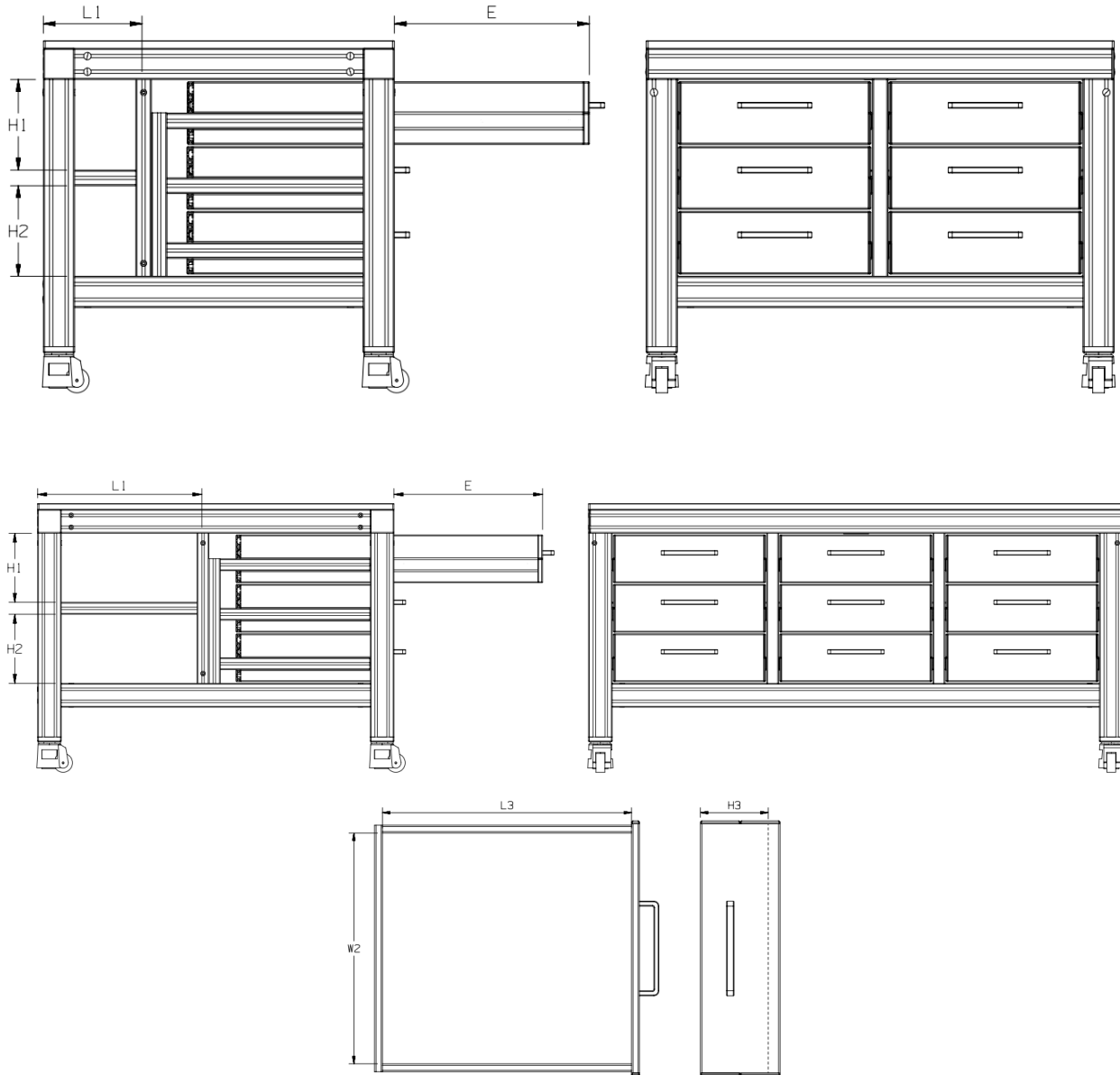


Table and drawers set dimensions								
Description	Height (H)	L1	L3	W2	H1	H2	H3	E
47.24 in x 35.43 in (2 x 3 drawers)	36 in	10.00 in	19.68 in	17.44 in	9.11 in	9.11 in	5.36 in	19.685 in
59.06 in x 35.43 in (2 x 3 drawers)	36 in	10.00 in	19.68 in	23.34 in	9.15 in	9.11 in	5.36 in	19.685 in
70.81 in x 47.24 in (3 x 3 drawers)	36 in	21.83 in	19.68 in	18.22 in	9.15 in	9.11 in	5.36 in	19.685 in



© 2021-2023 Renishaw plc. All rights reserved. RENISHAW® and the probe symbol are registered trade marks of Renishaw plc. Renishaw product names, designations and the mark 'apply innovation' are trade marks of Renishaw plc or its subsidiaries. Other brand, product or company names are trade marks of their respective owners. Renishaw plc. Registered in England and Wales. Company no: 1106260. Registered office: New Mills, Wotton-under-Edge, Glos, GL12 8JR, UK. WHILE CONSIDERABLE EFFORT WAS MADE TO VERIFY THE ACCURACY OF THIS DOCUMENT AT PUBLICATION, ALL WARRANTIES, CONDITIONS, REPRESENTATIONS AND LIABILITY, HOWSOEVER ARISING, ARE EXCLUDED TO THE EXTENT PERMITTED BY LAW.

Part no.: H-1000-9706-01-D  
 Issued: 08.2023