

MarStand 824 FT / 824 GT

Heavy measuring table

FEATURES

- Sturdy, T-shaped base made from special cast iron
- Extremely stable
- Heavy duty column and support arm for maximum stability
- Support arm locked against rotation and height adjustable via rack
- **Models:**
 - 824 NT - without fine adjustment
 - 824 FT - with fine adjustment via parallel spring-loaded system
 - 824 GT - specially designed for the large Millimess dial comparator, with fine adjustment via the adapter bushing
- Package excludes indicator and plate

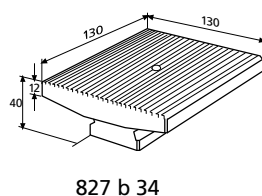
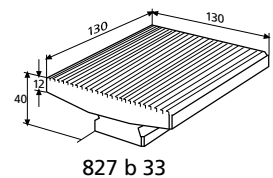
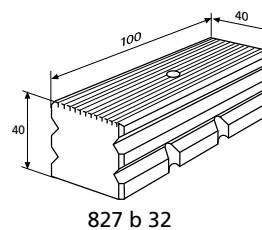
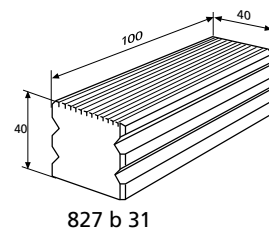


TECHNICAL DATA

Order no.		4443100	4443105	4444200
Type		824 FT		824 GT
Working range a	mm	0 – 210		0 – 200
Working range a	inch	0 – 8.2"		0 – 8.0"
Precision adjustment range	mm	0.4		3
Mounting hole		8H7	3/8"	28H7
Product weight	kg	19.00		18.00

ACCESSORIES

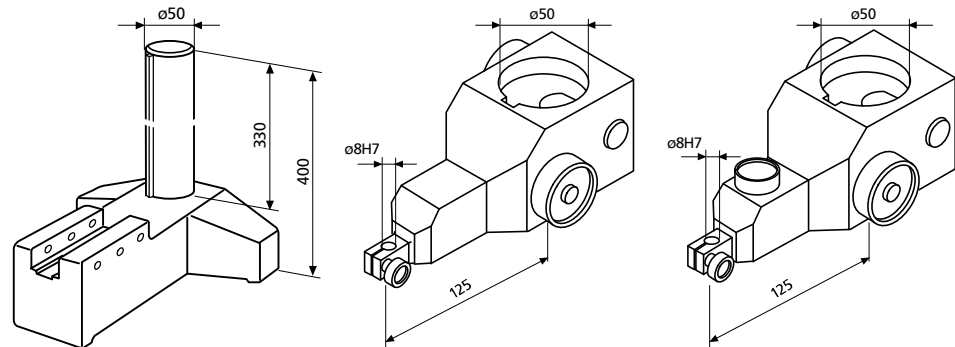
Order no.	Description	Type
4082731	Plate for single measurement (100 x 40 mm)	827 b 31
4082732	Plate for sum measurement (100 x 40 mm)	827 b 32
4082733	Plate for single measurement (130 x 130 mm)	827 b 33
4082734	Plate for sum measurement (130 x 130 mm)	827 b 34
4346111	941 G holder Ø 28mm, length 100mm, range 3 mm (with mount bore for indicators with shaft Ø 8 mm)	941 G / Ø 28 mm



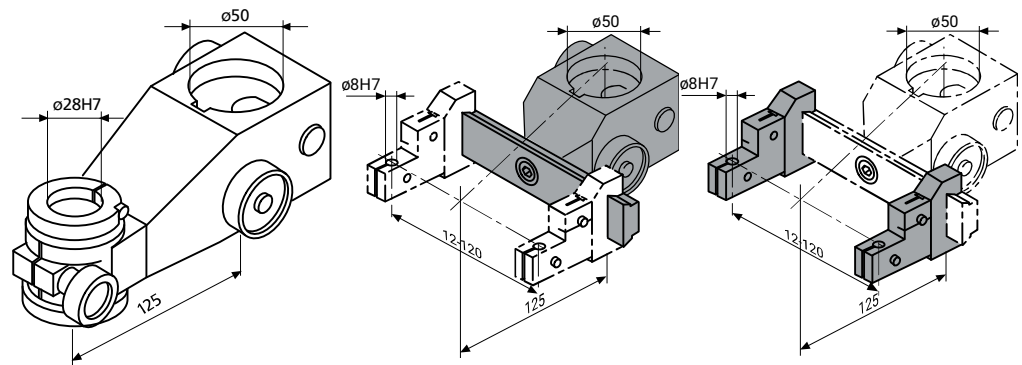
MarStand

Base with post

OVERVIEW



Type	827 b 5	827 b 16	827 b 17
Order no.	4082705	4082716	4082717
Product features	<ul style="list-style-type: none"> Measuring table base with column T-shaped base made from special cast iron Chrome-plated column 	<ul style="list-style-type: none"> Support arm without fine adjustment Rugged construction for exceptionally high bending resistance Locked against rotation and height adjustable via rack Mounting hole 8 mm 	<ul style="list-style-type: none"> Support arm with fine adjustment Rugged construction for exceptionally high bending resistance Locked against rotation and height adjustable via rack Mounting hole 8 mm
Projection (max.)	125 mm	125 mm	125 mm
Mounting hole		8H7	8H7

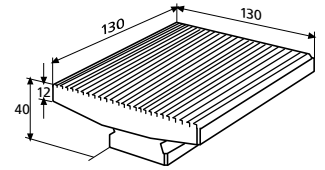
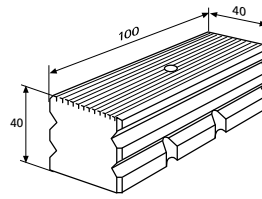
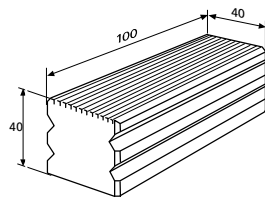


Type	827 b 18	827 b 19	827 b 14
Order no.	4082718	4082719	4082714
Product features	<ul style="list-style-type: none"> Support arm with fine adjustment Rugged construction for exceptionally high bending resistance Locked against rotation and height adjustable via rack Mounting hole for big comparators with stem diameter 28 mm, for example Millimes 1000 A 	<ul style="list-style-type: none"> Support arm with dovetail guide Rugged construction for exceptionally high bending resistance Locked against rotation and height adjustable via rack 	<ul style="list-style-type: none"> Probe holder For mounting on dovetail guide of support arm 827 b 19 Mounting hole 8 mm
Projection (max.)	125 mm	125 mm	125 mm
Mounting hole	28H7		8H7

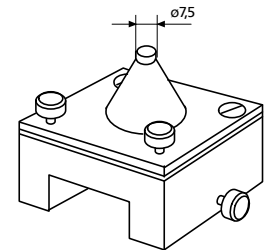
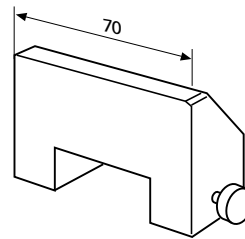
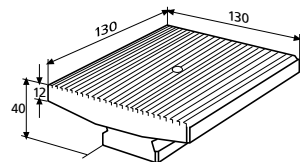
MarStand

Plate for single measurement

OVERVIEW



Type	827 b 31	827 b 32	827 b 33
Order no.	4082731	4082732	4082733
Product features	<ul style="list-style-type: none"> • Plate for single measurement • Hardened and lapped • Reversible • One measuring surface with longitudinal ribbing • Both sides face lapped 	<ul style="list-style-type: none"> • Plate for compound measurement • Hardened and lapped • With 8 mm mounting bore and clamping device for inductive probes • Measuring surface with longitudinal ribbing 	<ul style="list-style-type: none"> • Plate for single measurement • Hardened and lapped • Reversible • Large measuring surface with longitudinal ribbing • Both sides face lapped
Sum measurement		•	
Flatness deviation	1 µm	1 µm	1 µm
Mounting hole		8H7	



Type	827 b 34	827 b 35	827 b 36
Order no.	4082734	4082735	4082736
Product features	<ul style="list-style-type: none"> • Plate for compound measurement • Hardened and lapped • With 8 mm mounting bore and clamping device for inductive probes • Large measuring surface with longitudinal ribbing 	<ul style="list-style-type: none"> • Adjustable stop • Ensures that a workpiece is correctly positioned • To be attached to plates 827 b 31 and 827 b 32 	<ul style="list-style-type: none"> • Attachment stand • With adjustment screws for parallel alignment of 2 plan surfaces • Particularly suitable for mounting pin gages 426 M • To be attached to plates 827 b 31 and 827 b 32
Flatness deviation	1 µm		
Mounting hole	8H7		



**WILLRICH PRECISION
INSTRUMENT**
THINK MEASUREMENT... THINK WILLRICH

Ph 866-945-5742 email:sales@willrich.com