

# WPI WINTER/SPRING PROMO

Mitutoyo Precision Tools & Instruments — In Stock Now.



Promo pricing valid February - June 30, 2026

## MDE QuantuMike

QuantuMike offers faster and more accurate results. It sets a new benchmark in the industry as a true cutting-edge measuring tool

- > **4x Faster Spindle Speed:** Reduces inspection time and boosts productivity. It's a perfect way to help keep operations efficient and cost-effective
- > **± 1µm Accuracy:** Enjoy consistent, reliable measurements even in high-stakes applications. The high accuracy ensures that any project requiring tight tolerances remains right on the mark.
- > **Advanced Calculation Features:** Simplify the process of determining machine tool offsets. This added functionality helps minimize errors and downtime — a great choice for complex or repetitive tasks.
- > **S1 Bidirectional Communication Capable:** Send commands to the tool remotely using compatible data management hardware and software like Excel, MeasurLink, or other SPC programs.
- > **IP65 Protection:** Built to withstand dust, oil, n and coolant exposure to defend against constant cleaning and repair in harsh shop-floor environment.



293-180-40



**COOLANT PROOF™**

Order No	Range	Resolution	Measuring Force	Max Permissible Error	Flatness	Parallelism	List	Promo
293-180-40	0-1"	.00005"/.001mm	7-12N	±0.00005"	0.000012"	0.00004"	\$358.00	<b>\$304.30</b>
293-181-40	1-2"					\$409.00	<b>\$347.65</b>	
293-182-40	2-3"			±0.00001"		0.00008"	\$487.00	<b>\$413.95</b>
293-183-40	3-4"			\$525.00		<b>\$446.25</b>		

## High-performance ABS Digimatic Indicators ID-C/ID-F

ID-C Series – Battery Operated				
Order No.	Description	List	Promo	
543-701-02	DIG IND, ID-C112MNX, 0.0005MM/0.00002IN, 12.7MM/0.5IN, LUG	\$551.00	<b>\$468.35</b>	
543-702B-02	DIG IND, ID-C112ENXB, 0.0005MM/0.00002IN, 12.7MM/0.5IN, FLAT	\$551.00	<b>\$468.35</b>	
543-707B-02	DIG IND, ID-C112CENXB, 0.00005MM/0.00002IN, 12.7MM/0.5IN, LOW MEAS FRC, FLAT	\$861.00	<b>\$731.85</b>	
543-722B-02	ID-C0525ENXB	\$710.00	<b>\$603.50</b>	
543-731B-02	DIG IND, ID-C0550MNXB, 0.005MM/0.00002IN, 50.8MM/2IN	\$924.00	<b>\$785.40</b>	
543-732B-02	DIG IND, ID-C0550ENXB, 0.005MM/0.00002IN, 50.8MM/2IN	\$924.00	<b>\$785.40</b>	
543-712B-02	DIG IND, ID-C1012ENXB, 0.01MM/0.0005IN, 12.7MM/0.5IN, FLAT	\$403.00	<b>\$342.55</b>	
543-716	DIG IND, ID-C1012CNNX, 0.01MM/0.0005IN, 12.7MM/0.5IN, LOW MEAS FRC	\$551.00	<b>\$468.35</b>	
543-726B-02	DIG IND, ID-C1025MNXB, 0.01MM/0.0005 IN, 25.4MM/1IN	\$591.00	<b>\$502.35</b>	
543-727B-02	DIG IND, ID-C1025ENXB, 0.01MM/0.0005 IN, 25.4MM/1IN	\$591.00	<b>\$502.35</b>	
ID-F Series – AC Powered				
543-852A	ID-F0525ENX	\$866.00	<b>\$736.10</b>	
543-854A	ID-F0550ENX	\$983.00	<b>\$835.55</b>	
543-858A	DIG IND, ID-F (IN/MM), 0-2", 120V AC	\$1,000.00	<b>\$850.00</b>	

- > New-generation ID series making measurement operations smoother and enhancing production quality
- > Bidirectional serial communication that helps increase work efficiency



543-702B

543-852A

# Purchase the world's first 5μinch /0.1μm resolution micrometer and receive a USB input tool and cable (\$338 value)

Using precision digital measuring tools together with a USB input tool improves both measurement results and data reliability. Digimatic output, d2, allows output to a resolution of 1 millionths of an inch. The high-accuracy MDH with 5 millionths resolution can output in its entirety in both inch and metric. Resulting data can input directly to Excel®, MeasurLink® or other SPC programs.

To receive this special offer, use promo code: **PROMO029A**.

> Range: 0-1", Resolution: .000005", Accuracy: +/- .000020

Order No.	Description	List Price
<b>PROMO029A</b>	Package: MDH Mic, SPC Cable, USB Input Tool	<b>\$2,480.00</b>
<b>293-130-20</b>	MDH Micrometer with high accuracy, high resolution output	-
<b>05CZA662</b>	SPC CONNECTING CABLE (1M)	-
<b>264-020</b>	USB INPUT TOOL	-

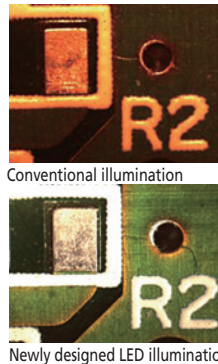
**Promo \$2,108.00**



**MeasurLink** ENABLED  
Data Management Software by Mitutoyo

## TM Toolmakers' Microscopes

- > Adjustable illumination intensity.
- > Angle measurement is performed easily by turning the angle scale disc to align the cross-hair reticle with the workpiece image.
- > Includes standard accessories create an overall magnification of 30X. Magnifications can be changed from 20 - 200X by using optional objectives and/or eyepieces.
- > .000050" resolution digimatic micrometer heads included.



**MeasurLink** ENABLED  
Data Management Software by Mitutoyo



**TM-505B**  
**176-820-11A**



Model No.		TM-505B	TM-1005B
Order No.		176-820-11A	176-821-11A
Eyepiece		Standard accessory: 15X (field number: 13), Options: 10X, 20X	
Objective lens		Standard accessory: 2X, Options: 5X, 10X	
Microscope head	Maximum height of workpiece	4.53" / 115mm	4.21" / 107mm
	Transmitted illumination	Stepless brightness adjustment, White LED light source, with green filter	
Illumination unit	Surface illumination	Oblique single-source type, Stepless brightness adjustment, White LED light source	
	Measuring range	2" x 2" / 50x50mm	4" x 2" / 100x50mm (An optional 2"/50mm gage block is required to cover full range. A CERA block is recommended.)
Cross-travel stage	Usable area of the stage glass	3.8" x 3.8" / 96x96mm	6" x 3.8" / 154x96mm
	Maximum stage glass loading	11 lbs. / 5kg	
	Linear measurement method	Micrometer Heads (Included)	
	<b>List</b>	\$7,050.00	\$9,190.00
	<b>Promo</b>	<b>\$5,992.50</b>	<b>\$7,811.50</b>

## PH-3515F Profile Projector and 2D Processor Packages

Heavy-Duty, Bench-Top Model with Horizontal Optical System featuring touch screen M2 geometric measuring display

- > Ø14" screen, Horizontal Projector
- > 10" x 6" Travel T Slot table for accessories
- > Linear Glass Scales for accurate measurement
- > Profile and Fiber Optic Surface Illumination
- > Digital built-in angle counter
- > Maximum Load 45kg / 100lb
- > Available with M2 or QM Data 2D Processors

Order No.	Description	List	Promo
172-868-11A-M2	PH-3515F Profile Projector with Touchscreen PC & M2 Software/Hardware	\$18,300.00	<b>\$15,555.00</b>
172-868-11A-M2-EDGE	PH-3515F Profile Projector with Optical Edge Detection, Touchscreen PC & M2 Software/Hardware	\$20,000.00	<b>\$17,000.00</b>
<b>Machine Stand (Optional)</b>			
64PMI308	Machine Stand for PH Series	\$935.00	<b>\$794.75</b>
<b>Rotary Vise (Optional)</b>			
172-602	Rotary Vise for PH Series	\$1,710.00	<b>\$1,453.50</b>

(Includes installation and A2LA accredited calibration)

 Free Shipping



 Installation & Calibration Included

172-868-11A-M2  
PH-3515 Profile Projector, M2 Software/ Hardware and All-In-One Touchscreen PC



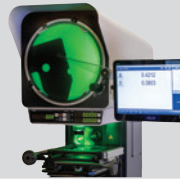
### M2 Software & Hardware: PH-3515 & PJ-PLUS



M2 is a universal 2D coordinate measurement software which has become the preferred software for many optical comparator users due to its intuitive user interface and data collection procedures.

- > Software & All-In-One Touch Screen PC Included
- > Full Integration and A2LA Calibration conducted

### Automatic Edge Detection



Fiber Optic Edge Detection system integrated into M2 software via M2 Communication Unit.

Intuitive Edge Teach Functionality built into software.

Allows for continuous measurement of features, while storing data for post process analysis

## PJ-Plus with M2 2D Processor Packages

The PJ-Plus is a new series of profile projectors offered by Mitutoyo. This system utilizes LED lighting and a fanless design making it ideal for harsh manufacturing facilities or job shops.

Order No	Description	XY Stage	List	Promo
<b>PJ-PLUS Main Units</b>				
302-801-10A	PJ-P1010A 4x4"/100x100m	4x4"/100x100m	\$13,600.00	<b>\$11,560.00</b>
302-802-10A	PJ-P2010A 8X4"/200x200mm	8X4"/200x200mm	\$17,100.00	<b>\$14,535.00</b>
<b>PJ-PLUS &amp; M2 Packages</b>				
302-801-10A-M2-EDGE	PJ-PLUS 4X4 - M2, Optical Edge Detection and Touchscreen	4x4"/100x100mm	\$20,600.00	<b>\$17,510.00</b>
302-801-10A-M2	PJ-PLUS 4x4 - M2 and Touchscreen PC Package	4x4"/100x100mm	\$19,000.00	<b>\$16,150.00</b>
302-802-10A-M2-EDGE	PJ-PLUS 8x4 - M2, Optical Edge Detection and Touchscreen	8x4"/200x100mm	\$24,100.00	<b>\$20,485.00</b>
302-802-10A-M2	PJ-PLUS 8x4 - M2 and Touchscreen PC Package	8x4"/200x100mm	\$22,600.00	<b>\$19,210.00</b>
<b>Machine Stand (Optional)</b>				
64PMI167	Machine Stand for PJ Series		\$867.00	<b>\$736.95</b>

 Free Shipping



 Installation & Calibration Included

302-801-10-M2-EDGE



**MeasurLink** ENABLED  
Data Management Software by Mitutoyo

An XY axis digital counter is built into the PJ-Plus



## Rockwell and Rockwell Superficial Hardness Tester

### With Real-Time Electronic Test Force Control

- > Closed-loop control of testing forces.
- > Initial and Total test forces (loads) are applied with unparalleled accuracy and repeatability.
- > Extended indenter arm reaches inside diameters and hard-to-reach surfaces at eye level, allowing the operator to easily see where the indenter accesses small or hard-to-reach parts.
- > Automatic cycle start after initial set point is reached.
- > Continuous test mode for automatic testing of all like-sized parts.
- > All hardness parameters set automatically via the touch screen.
- > Cylindrical and spherical surface corrections.
- > Auto conversion to most common hardness scales or tensile strength.

**MeasurLink** ENABLED  
Data Management Software by Mitutoyo



HR-530  
810-233-33A



HR-530L  
810-333-33A

Model No.	810-233-33A		810-333-33A	
Order No.	HR-530		HR-530L	
Hardness testing methods	Rockwell / Rockwell Superficial / Brinell / Plastics Hardness			
Initial Test Force	29.42 N (3kgf), 98.07 N (10kgf)			
Test Force (N)	Superficial	147.1 N (15kgf), 294.2 N (30kgf), 441.3 M (45kgf)		
	Rockwell	588.4 N (60kgf), 980.7 N (100kgf), 1471 N (150kgf)		
	Light Force Brinell	61.29 N (6.25kgf), 98.07 N (10kgf), 153.2 N (15.625kgf), 245.2 N (25kgf), 294.2 N (30kgf), 306.5 N (31.25kgf), 612.9 N (62.5kgf), 980.7 N (100kgf), 1226 N (125kgf), 1839 N (187.5kgf)		
Test Force Control	Automatic (load / hold / unload)			
Maximum Specimen Size	Height: 9.8" (250mm) Depth: 5.9" (150mm)	Height: 15.5" (395mm) Depth: 5.9" (150mm)		
External Data Output	RS-232C, Digimatic, USB2.0			
External Dimensions	Main Unit	9.84" x 26.38" x 23.82" (250 w x 667 d x 621 h mm)	11.6" x 26.2" x 30.1" (300 w x 667 d x 766 h mm)	
	Touch-Panel Display	191 w x 147 d x 71 h mm (Color)		
Mass	Approx. 60 kg		Approx. 69 kg	
	List	\$18,300.00	\$22,000.00	
	Promo	<b>\$15,555.00</b>	<b>\$18,700.00</b>	

## ASTM Compliant HR Series Rockwell and Superficial Hardness Tester Packages Include:

- > Certified Blocks and Indenters
- > C and N Scale Indenter
- > 1/16" Carbide Ball Indenter
- > HRC30 Rockwell Test Block
- > HRC63 Rockwell Test Block
- > HRBW95 Rockwell Test Block
- > HR30N60 Rockwell Test Block
- > HR30TW70 Rockwell Test Block
- > Certificate stating conformance to ASTM E 18
- > Mitutoyo Installation and A2LA Calibration



\*HR-430MR includes only diamond indenter, C-scale indenter, HRC and HRBW blocks listed above\*

### Calibration Set

Order No.			
64HAA462	64HAA463	64HAA464	64HAA465
List			
\$1,270.00	\$1,120.00	\$1,270.00	\$1,120.00
PROMO			
<b>\$1,079.50</b>	<b>\$952.00</b>	<b>\$1,079.50</b>	<b>\$952.00</b>
HRC Scale	HRBW Scale	HR30N Scale	HR30TW Scale
Test Blocks	Test Blocks	Test Blocks	Test Blocks
64HAA181	64HAA172	64HAA270	64HAA303
64HAA177	64HAA170	64HAA266	64HAA301
64HAA173	64HAA168	64HAA262	64HAA299
Universal Style Indenter with Flat			
64HAA100	64HAA119	64HAA101	64HAA119



## High-Accuracy Height Gage Linear Height LH-600F/FG



The highest accuracy height gage on the market is now even easier to use.

The Mitutoyo LH-600F Linear Height Measurement System is the latest model in the Mitutoyo Linear Height Gage line, designed to be more user-friendly while maintaining the best-in-class reliability and accuracy of previous models.

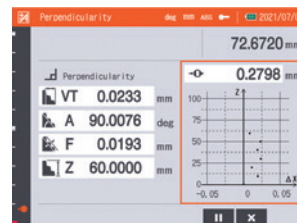
### New Features:

- > Rotatable, adjustable touch screen interface.
- > New self-check feature.
- > High-accuracy encoder more resistant to contaminants.
- > Improved 2D mode.
- > Calibration date warning.
- > S1 Digimatic output capable of sending data directly to Excel®, wired or wirelessly.
- > Additional probe and extension options.

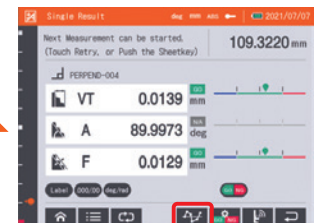
### Still Featuring:

- > Resolution down to 0.1 μinch (selectable).
- > Highest accuracy in its class ± (1.1+0.6L/600) μm.
- > Pneumatic full/semi-float system with built-in compressor.
- > Capable of standard measurements such as heights and diameters or advanced measurements like angles, diagonal distances and perpendicularity (optional probes may be required).
- > The Origin can be set at centerline positions, peaks of radii or simply on the surface plate or gage blocks.

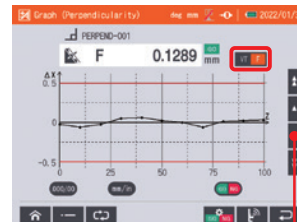
### Perpendicular/straightness measurement - Graph creation



Show results in real time during measurement.



Show results after measurement.



You can monitor the graphs of past measurement results.



Show measurement results in graph form.

Power grip model also available for even easier positioning.

Order No	Description	Range (Stroke)	Resolution (selectable)	List	Promo
Promo030	LH-600F Inch/mm	977mm (600mm) / 38" (24")	0.0001/0.001/0.01/0.1mm .0000001/0.00001/0.0001/0.001"	\$11,900.00	<b>\$10,115.00</b>
Promo031	LH-600FG Inch/mm, Power Grip Model			\$12,400.00	<b>\$10,540.00</b>

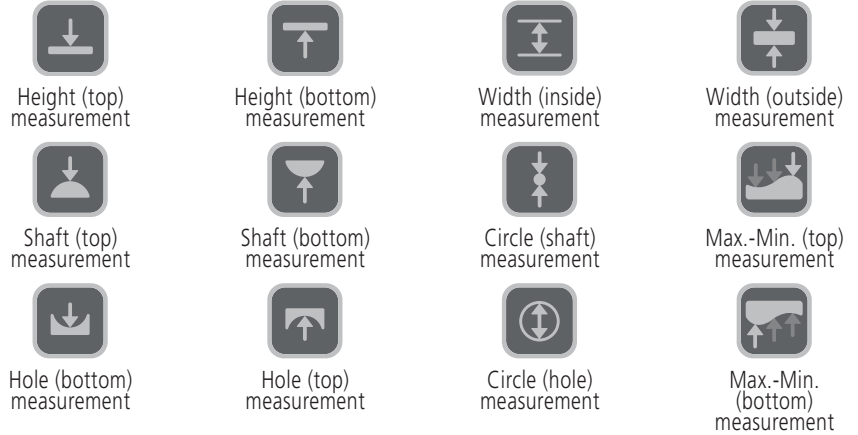
## Easy operation using keypad and touch screen navigation

Contextual guidance on the large-screen touch panel supports your measurements.



Simple, straightforward keys with icons  
Icons allow the user to find the required operation at a glance.

### Basic measurements



### Advanced measurement functions



### Measurement settings



### Other



### Touch panel with guidance

Measurement guidance is displayed on the large touch panel of the 8.4-inch color LCD, enabling intuitive operation.



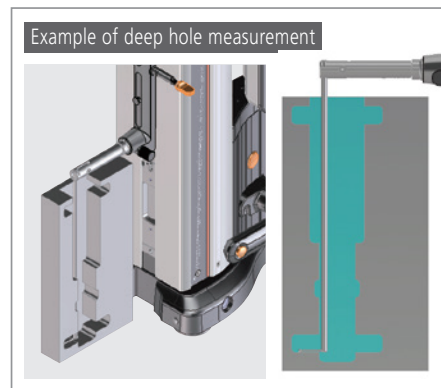
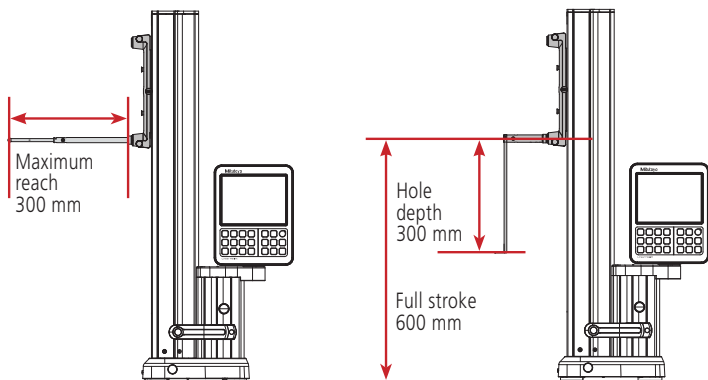
Guidance screen



Operable with gloves

### Expanded measurement area

With the new optional probes, you can now measure areas that were beyond the capacity of conventional probes.



## Borematic

Quick, spring-loaded lever action/movement

- › Titanium-coated measuring pins provide excellent durability and impact resistance, while allowing the instrument to measure close to the bottom of blind holes.
- › Digital display with quick-action lever operation enables quick and easy measurement.
- › Built-in ABSOLUTE System eliminates the need to set the origin point every time the unit is turned on. The system is immune to over-speed errors, thus increasing the reliability of measurement.
- › The Digimatic Borematic is compatible with statistical process control systems and measurement support systems.
- › Built-in tolerance judgment function allows GO/NO-GO judgment based on user-defined upper and lower limit settings.

**MeasurLink** ENABLED  
Data Management Software by Mitutoyo

**ABSOLUTE**<sup>®</sup>

**SPC**



Individual Gages: includes one digital display unit and one interchangeable measuring head (plus adapter if required)

Order No	Size Range	Accuracy	Extension Rod	List	Promo	
568-461	0.275" - 0.350"	±5µm ±0.00025 in	100mm (952322)	\$1,830.00	<b>\$1,555.50</b>	
568-462	0.350" - 0.425"			\$1,660.00	<b>\$1,411.00</b>	
568-463	0.425" - 0.500"			\$1,830.00	<b>\$1,555.50</b>	
568-464-10	0.50" - 0.65"	±5µm ±0.00025 in	150mm (952621)	\$1,870.00	<b>\$1,589.50</b>	
568-465	0.65" - 0.80"			\$1,870.00	<b>\$1,589.50</b>	
568-466-10	0.8" - 1.0"		150mm (952622)	\$1,870.00	<b>\$1,589.50</b>	
568-467-10	1.0" - 1.2"			\$1,940.00	<b>\$1,649.00</b>	
568-468-10	1.2" - 1.6"			\$2,130.00	<b>\$1,810.50</b>	
568-469-10	1.6" - 2.0"			\$2,130.00	<b>\$1,810.50</b>	
568-470-10	2.0" - 2.5"			150mm (952623)	\$2,090.00	<b>\$1,776.50</b>
568-471-10	2.5" - 3.0"				\$2,170.00	<b>\$1,844.50</b>
568-472-10	3.0" - 3.5"		\$2,200.00		<b>\$1,870.00</b>	
568-473-10	3.5" - 4.0"		\$2,200.00		<b>\$1,870.00</b>	
568-474-10	4.0" - 4.5"	±6µm ±0.0003 in		\$2,310.00	<b>\$1,963.50</b>	
568-475-10	4.5" - 5.0"			\$2,440.00	<b>\$2,074.00</b>	

### Technical Data

Resolution: 0.001mm or 0.00005 in/0.001mm  
 Display: LCD  
 Response speed: Infinite  
 Battery: SR44 (1 pc), 938882, for initial operational checks (standard accessory)  
 Battery life: Approx. 5,000 hours in continuous use  
 Scale type: Electrostatic capacitance ABSOLUTE encoder

### Functions

GO/NO-GO judgment, GO/NO-GO judgment zoom, 2-Point preset, Zero-setting, Data hold, Error alarm, Low battery voltage alert, Data output, Function lock, 330° Rotary display, inch/mm conversion (inch/mm models)

Complete Unit Gage Sets: includes several individual gages to cover the overall size range of the set

Order No	Overall Range	Range of Individual Gages	Setting Rings	List	Promo
568-965	0.275" - 0.5"	0.275-0.35", 0.35-0.425", 0.425-0.5"	0.35" DIA., 0.425" DIA.	\$6,330.00	<b>\$5,380.50</b>
568-966-10	0.5" - 1"	0.5-0.65", 0.65-0.8", 0.8-1"	0.65" DIA., 0.8" DIA.	\$6,590.00	<b>\$5,601.50</b>
568-967-10	1" - 2"	1-1.2", 1.2-1.6", 1.6-2"	1.2" DIA., 1.6" DIA.	\$6,890.00	<b>\$5,856.50</b>
568-968-10	2" - 3"	2-2.5", 2.5-3"	2.5" DIA.	\$4,930.00	<b>\$4,190.50</b>
568-969	3" - 4"	3-3.5", 3.5-4"	3.5" DIA.	\$5,470.00	<b>\$4,649.50</b>



Complete-Unit Set

### Interchangeable-Head Sets

Order No	Overall Range	Range of Individual Gages	Setting Rings	List	Promo
568-924	6-12mm	6-8, 8-10, 10-12mm	ø8mm, ø10mm	\$2,820.00	<b>\$2,397.00</b>
568-925-10	12-25mm	12-16, 16-20, 20-25mm	ø16mm, ø20mm	\$2,890.00	<b>\$2,456.50</b>
568-926-10	25-50mm	25-30, 30-40, 40-50mm	ø30mm, ø40mm	\$3,890.00	<b>\$3,306.50</b>
568-927-10	50-100mm	50-63, 62-75, 75-88, 87-100mm	ø62mm, ø87mm	\$5,810.00	<b>\$4,938.50</b>



Interchangeable-Head Set

Includes one digital display unit with several interchangeable measuring heads (and adapters as required) to cover the total size range plus one extension rod

## Digimatic Holtest

- > TiN-coated measuring contact points provide excellent durability and impact resistance and allows the instrument to measure close to the bottom of blind holes ( up to 4"/100mm models).
- > Large LCD readout.
- > Functions available: Presetting, Zero/ABS, Auto power On/Off, Data hold, Data output, Error alarm, Battery replacement alarm.
- > With ratchet stop for constant force.
- > Measure deep holes by attaching an extension rod (optional).
- > Setting rings are included in sets, but optional for individual gages.
- > Supplied in fitted plastic case up to 4"/100mm. Over 4"/100mm supplied in wooden case.
- > Resolution: .00005"/0.001mm (over 4" models: .0001"/0.001mm)



### Digimatic Holtests – Individual Units

Order No.	Description/Range	List	Promo
468-261	Digimatic Holtest, .275" - .35"	\$1,410.00	<b>\$1,198.50</b>
468-262	Digimatic Holtest, .35" - .425"	\$1,410.00	<b>\$1,198.50</b>
468-263	Digimatic Holtest, .425" - .5"	\$1,420.00	<b>\$1,207.00</b>
468-264	Digimatic Holtest, 0.5" - 0.65"	\$1,530.00	<b>\$1,300.50</b>
468-265	Digimatic Holtest, 0.65" - 0.8"	\$1,530.00	<b>\$1,300.50</b>
468-266	Digimatic Holtest, 0.8" - 1"	\$1,580.00	<b>\$1,343.00</b>
468-267	Digimatic Holtest, 1.0 - 1.2"	\$2,580.00	<b>\$2,193.00</b>
468-268	Digimatic Holtest, 1.2" - 1.6"	\$1,620.00	<b>\$1,377.00</b>
468-270	Digimatic Holtest, 2" - 2.5"	\$1,770.00	<b>\$1,504.50</b>
468-272	Digimatic Holtest, 3" - 3.5"	\$1,790.00	<b>\$1,521.50</b>
468-273	Digimatic Holtest, 3.5" - 4"	\$1,820.00	<b>\$1,547.00</b>
468-274	Digimatic Holtest, 4" - 5"	\$2,150.00	<b>\$1,827.50</b>
468-275	Digimatic Holtest, 5" - 6"	\$2,440.00	<b>\$2,074.00</b>
468-276	Digimatic Holtest, 6" - 7"	\$2,590.00	<b>\$2,201.50</b>
468-277	Digimatic Holtest, 7" - 8"	\$2,680.00	<b>\$2,278.00</b>
468-278	Digimatic Holtest, 8" - 9"	\$2,880.00	<b>\$2,448.00</b>
468-279	Digimatic Holtest, 9" - 10"	\$2,940.00	<b>\$2,499.00</b>
468-280	Digimatic Holtest, 10" - 11"	\$3,050.00	<b>\$2,592.50</b>
468-281	Digimatic Holtest, 11" - 12"	\$3,170.00	<b>\$2,694.50</b>

### Digimatic Holtests – Interchangeable Head Sets

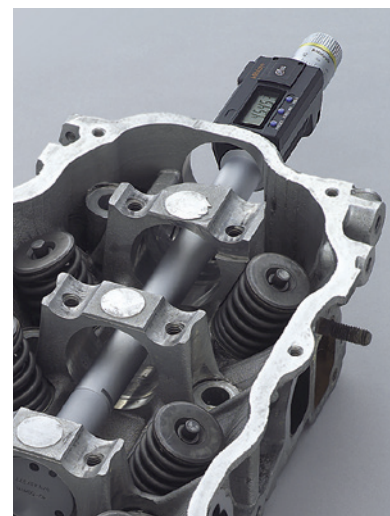
468-976	Digimatic Holtest Head Set, 0.275" - 0.5"*	\$2,560.00	<b>\$2,176.00</b>
468-977	Digimatic Holtest, Head Set, 0.5" - 0.8"*	\$2,080.00	<b>\$1,768.00</b>
468-978	Digimatic Holtest, Head Set, 0.8" - 2"*	\$5,190.00	<b>\$4,411.50</b>
468-979	Digimatic Holtest, Head Set, 2" - 4"*	\$5,950.00	<b>\$5,057.50</b>
468-980	Digimatic Holtest, Head Set, 4" - 8"*	\$6,990.00	<b>\$5,941.50</b>

### Digimatic Holtests – Complete Unit Sets

468-986	Digimatic Holtest, Unit-Set, 0.275" - 0.5"*	\$4,980.00	<b>\$4,233.00</b>
468-987	Digimatic Holtest, Unit-Set, 0.5" - 1"*	\$5,300.00	<b>\$4,505.00</b>
468-988	Digimatic Holtest, Unit-Set, 1" - 2"*	\$6,010.00	<b>\$5,108.50</b>
468-989	Digimatic Holtest, Unit-Set, 2" - 3"*	\$6,740.00	<b>\$5,729.00</b>
468-990	Digimatic Holtest, Unit-Set, 3" - 4"*	\$7,930.00	<b>\$6,740.50</b>

### Measuring Deep Holes

An extension rod (optional accessory) can be fitted to provide measurement of deep holes.



VIDEO DEMO



Complete-Unit Set



Interchangeable-Head Set

## Holtest

- > Titanium-coated measuring pins provide excellent durability and impact resistance and allows the instrument to measure close to the bottom of blind holes.
- > Three-point design ensures self-centering action for stable measurements in the range above .275" bore diameter.
- > With ratchet stop for constant force.

## Holtest Type II

- > The anvils and cone are made from an alloy tool steel with a hardness of HRC60.5 or more.
- > Three-point design ensures self-centering action for stable measurements in the range above .275" bore diameter.
- > With ratchet stop for constant force.

### Mechanical Holtests – Individual Units

Order No.	Description/Range	List	Promo
368-021	Holtest, 0.08" - 0.1"	\$1,900.00	<b>\$1,615.00</b>
368-022	Holtest, 0.1" - 0.12"	\$1,900.00	<b>\$1,615.00</b>
368-023	Holtest, 0.12" - 0.16"	\$1,520.00	<b>\$1,292.00</b>
368-024	Holtest, 0.16" - 0.2"	\$1,520.00	<b>\$1,292.00</b>
368-025	Holtest, 0.2" - 0.24"	\$1,520.00	<b>\$1,292.00</b>
368-026	Holtest, 0.24" - 0.28"	\$1,520.00	<b>\$1,292.00</b>
368-261	Holtest, 0.275" - 0.35"	\$755.00	<b>\$641.75</b>
368-262	Holtest, 0.35" - 0.425"	\$755.00	<b>\$641.75</b>
368-263	Holtest, 0.425" - 0.5"	\$755.00	<b>\$641.75</b>
368-264	Holtest, 0.5" - 0.65"	\$783.00	<b>\$665.55</b>
368-265	Holtest, 0.65" - 0.8"	\$783.00	<b>\$665.55</b>
368-266	Holtest, 0.8" - 1.0"	\$813.00	<b>\$691.05</b>
368-267	Holtest, 1.0" - 1.2"	\$813.00	<b>\$691.05</b>
368-268	Holtest, 1.2" - 1.6"	\$1,020.00	<b>\$867.00</b>
368-269	Holtest, 1.6" - 2.0"	\$1,070.00	<b>\$909.50</b>
368-270	Holtest, 2.0" - 2.5"	\$980.00	<b>\$833.00</b>
368-271	Holtest, 2.5" - 3.0"	\$1,170.00	<b>\$994.50</b>
368-272	Holtest, 3.0" - 3.5"	\$1,200.00	<b>\$1,020.00</b>
368-273	Holtest, 3.5" - 4.0"	\$1,250.00	<b>\$1,062.50</b>
368-274	Holtest, 4.0" - 5.0"	\$1,620.00	<b>\$1,377.00</b>
368-275	Holtest, 5.0" - 6.0"	\$1,830.00	<b>\$1,555.50</b>
368-276	Holtest, 6.0" - 7.0"	\$1,880.00	<b>\$1,598.00</b>
368-277	Holtest, 7.0" - 8.0"	\$1,950.00	<b>\$1,657.50</b>
368-278	Holtest, 8.0" - 9.0"	\$2,200.00	<b>\$1,870.00</b>
368-279	Holtest, 9.0" - 10"	\$2,250.00	<b>\$1,912.50</b>
368-280	Holtest, 10" - 11"	\$2,500.00	<b>\$2,125.00</b>
368-281	Holtest, 11" - 12"	\$2,560.00	<b>\$2,176.00</b>

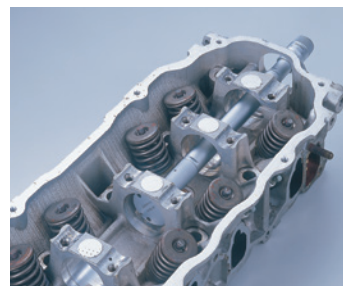
### Mechanical Holtests – Complete Unit Sets

368-916	Holtest, Set, 0.275" - 0.5"*	\$2,790.00	<b>\$2,371.50</b>
368-917	Holtest, Set, 0.5" - 0.8"*	\$1,880.00	<b>\$1,598.00</b>
368-918	Holtest, Set, 0.8" - 2.0"*	\$4,300.00	<b>\$3,655.00</b>
368-919	Holtest, Set, 2.0" - 4.0"*	\$6,120.00	<b>\$5,202.00</b>
368-920	Holtest, Set, 4.0" - 8.0"*	\$9,380.00	<b>\$7,973.00</b>
368-926	Holtest, 2pc Set, .08" - .12"*	\$4,030.00	<b>\$3,425.50</b>
368-927	Holtest, 4pc Set, .12" - .28"*	\$6,410.00	<b>\$5,448.50</b>
368-995	HOLTEST, SET, TYPE II, R, 0.5 - .8"	\$1,710.00	<b>\$1,453.50</b>
368-996	HOLTEST, SET, TYPE II, R, 0.8 - 2"	\$3,940.00	<b>\$3,349.00</b>
368-997	HOLTEST, SET, TYPE II, R, 2 - 4"	\$5,530.00	<b>\$4,700.50</b>
368-998	HOLTEST, SET, TYPE II, R, 4 - 8"	\$8,620.00	<b>\$7,327.00</b>

### Holtest



### Holtest Type II



### Measuring Deep Holes

An extension tube (optional accessory) can be fitted to enable measurement of deep holes.

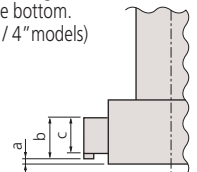


TiN coated contact points



### Measuring a Blind Hole

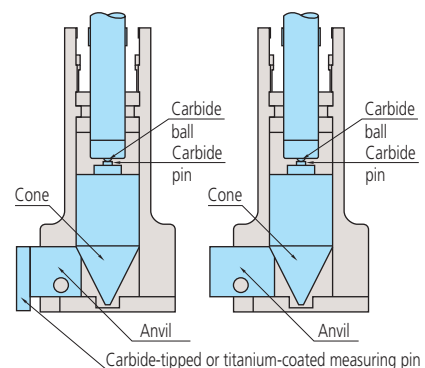
The measuring contact points held in the jaws permit measuring the diameter of a blind hole to the bottom. (up to 100mm / 4" models)



Range	a	b	c
6 - 12mm / .275 - .5"	2	—	2.5
12 - 20mm / .5 - .8"	0.3	5.6	3.5
20 - 30mm / .8 - 1.2"	0.3	8.3	5.2
30 - 50mm / 1.2 - 2"	0.3	13	10
50 - 100mm / 2 - 4"	0.3	17	14
100 - 300mm / 4 - 12"	12.4	21	13.8

### Inspection Certificate Supplied as Standard

An Inspection Certificate is supplied with each instrument, which assures product quality and safety. On request, Mitutoyo can issue a Calibration Certificate, at a cost, from our accredited calibration laboratory.



# LIMITED TIME OFFER

## CRYSTA-Apex V574 CNC CMM Package

Configured for your shop floor or lab



Complete Turn-Key System Package  
Low Cost of Ownership through Included Agreements

**UNDER  
\$70,000**



Offer valid 2/26 - 6/30/2026 ~ while supplies last

[www.willrich.com](http://www.willrich.com)



**Willrich Precision Instrument Co. Inc.**

Phone: 866-945-5742 | General Questions Email: [info@willrich.com](mailto:info@willrich.com) | [www.willrich.com](http://www.willrich.com)